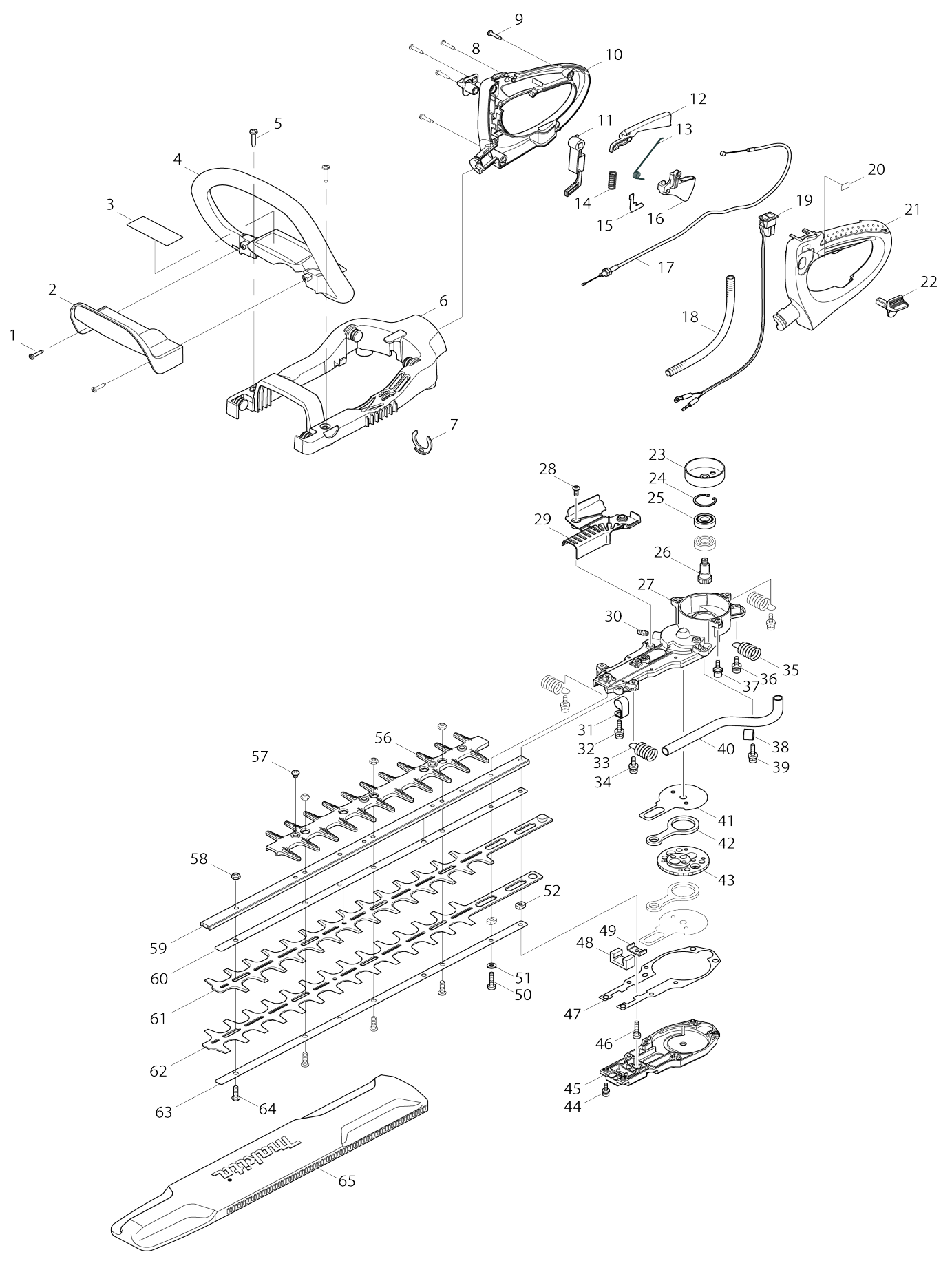
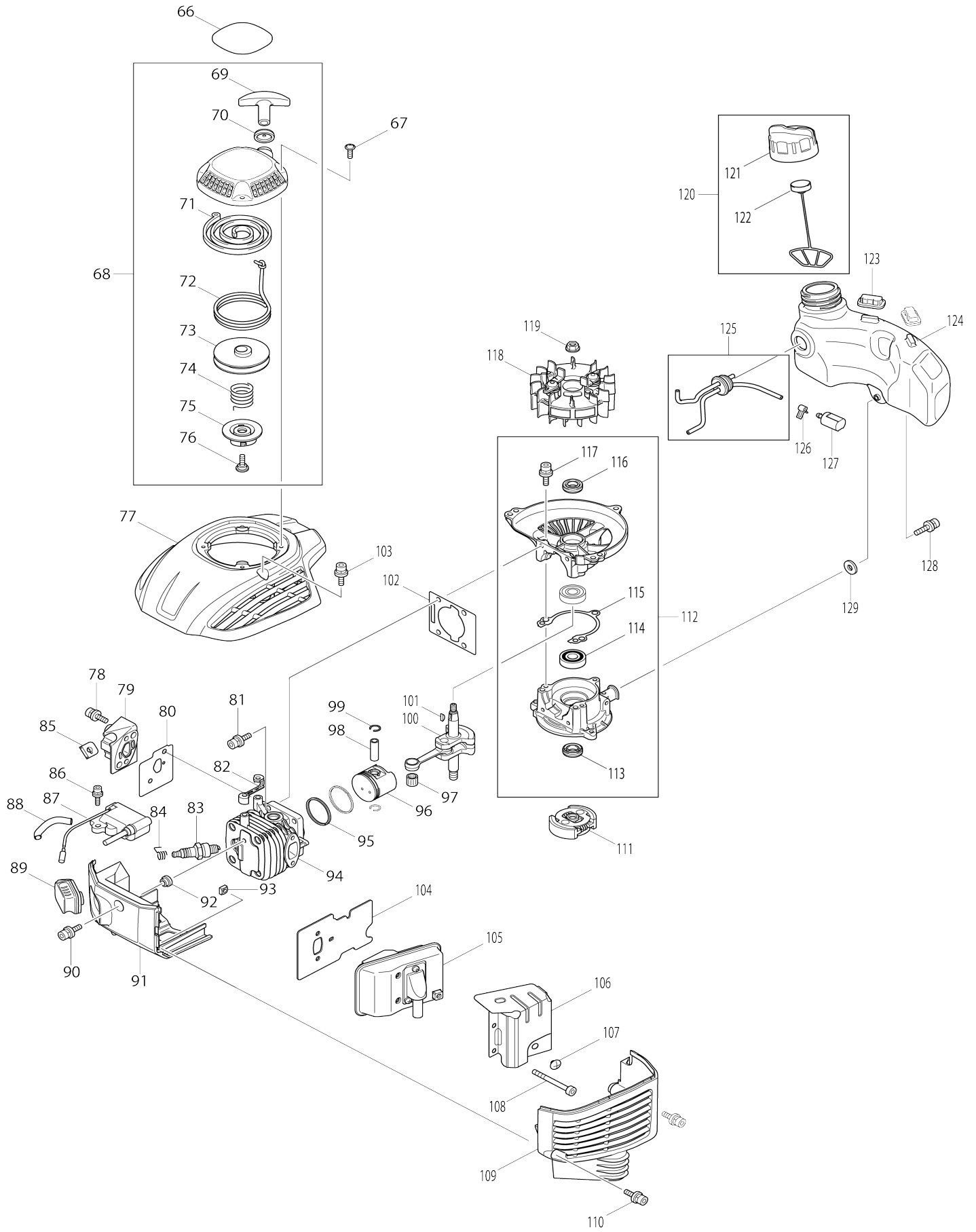


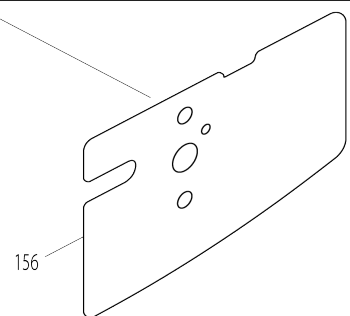
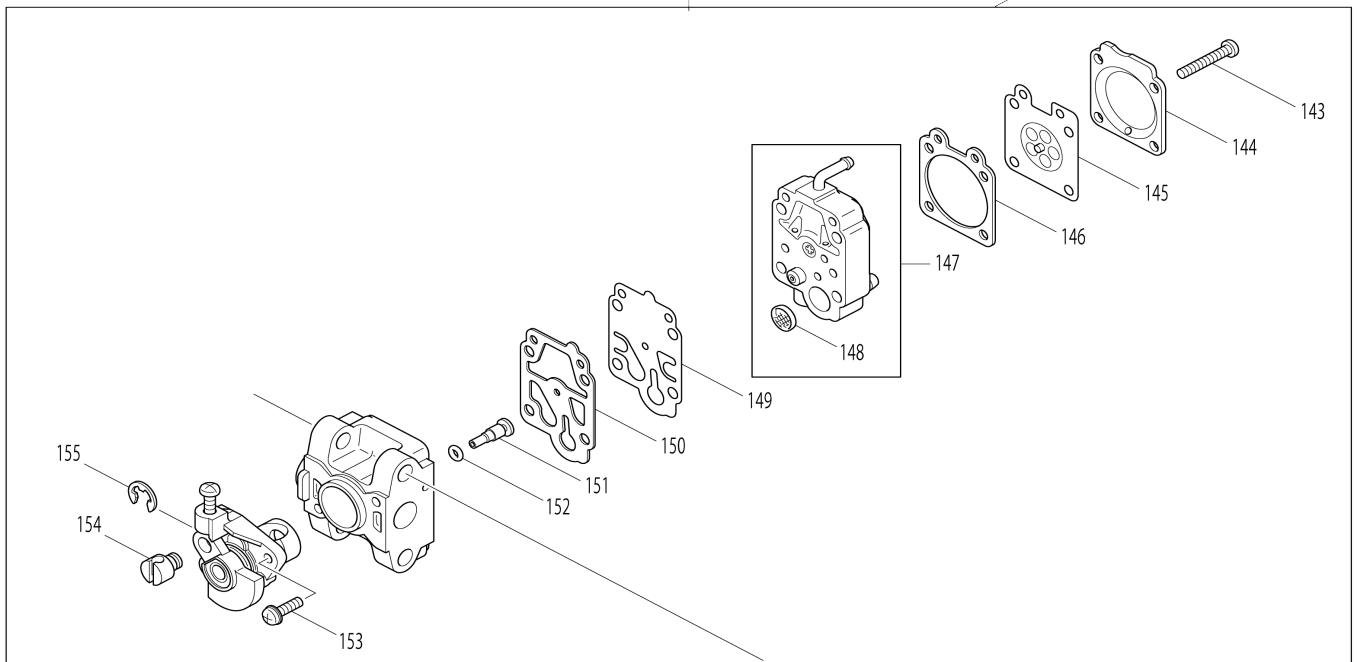
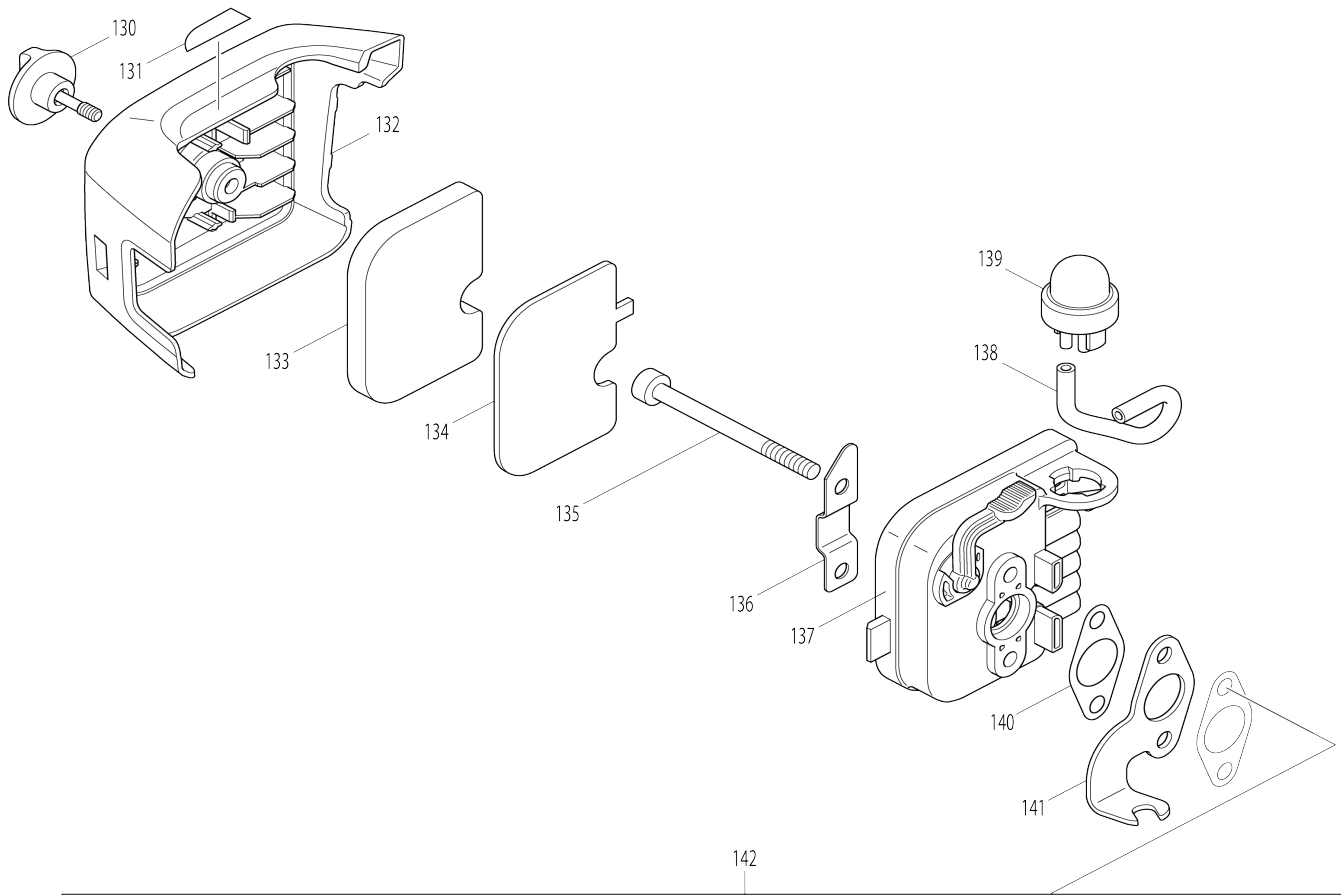
Model No.EH5000W PETROL HEDGE TRIMMER



Model No.EH5000W PETROL HEDGE TRIMMER



Model No.EH5000W PETROL HEDGE TRIMMER



Model No.EH5000W PETROL HEDGE TRIMMER

| Item No. | Parts No. | Description | Interchangeability | Q'ty | New/Old | Note1 | Note2 |
|----------|------------|-----------------------------|--------------------|------|---------|-------|-------|
| 001 | 266045-0 | TAPPING SCREW 4X20 | | 2 | | | |
| 002 | 452322-8 | GUARD | | 1 | | | |
| 003 | 892383-0 | CAUTION LABEL | | 1 | | | |
| 004 | 452321-0 | LOOP HANDLE | | 1 | | | |
| 005 | 266041-8 | TAPPING SCREW 5X25 | | 2 | | | |
| 006 | 452319-7 | HANDLE BASE | | 1 | | | |
| 007 | 452323-6 | STOP RING 25 | | 1 | | | |
| 008 | 452316-3 | LOCK LEVER B | | 1 | | | |
| 009 | 266045-0 | TAPPING SCREW 4X20 | | 5 | | | |
| 011 | 452314-7 | STOPPER | | 1 | | | |
| 012 | 452313-9 | TRIGGER B | | 1 | | | |
| 013 | 233579-8 | TORSION SPRING 8 | | 1 | | | |
| 014 | 234204-4 | COMPRESSION SPRING 8 | | 1 | | | |
| 015 | 413153-0 | PLATE | | 1 | | | |
| 016 | 452312-1 | TRIGGER A | | 1 | | | |
| 017 | 168625-7 | CONTROL CABLE | | 1 | | | |
| 018 | 452324-4 | CORRUGATE TUBE | | 1 | | | |
| 019 | 125858-7 | SWITCH ASSEMBLY | | 1 | | | |
| 020 | 892384-8 | INDICATION LABEL | | 1 | | | |
| 021-1 | 187049-8 | LEVER CASE SET | | 1 | | | |
| 022 | 452315-5 | LOCK LEVER A | | 1 | | | |
| 023 | 168567-5 | CLUTCH DRUM | | 1 | | | |
| 024 | 0031428000 | INNER SNAP RING | | 1 | * | | |
| 024-1 | 962106-1 | RETAINING RING R-28 | O | 1 | | | |
| 025 | 0600129780 | BALL BEARING | | 2 | * | | |
| 025-1 | 211138-8 | BALL BEARING 6001LLU | O | 2 | | | |
| 026 | 227247-3 | SPUR GEAR 9 | | 1 | * | | |
| 026-1 | 221600-5 | SPUR GEAR 9 | O | 1 | | | |
| 027 | 141033-7 | GEAR CASE COMPLETE | | 1 | | | |
| 028 | 0119059400 | SOCKET HEAD BOLT M5X12 | | 2 | * | | |
| 028-1 | 922212-4 | HEX. SOCKET HEAD BOLT M5X12 | O | 2 | | | |
| 029 | 451865-7 | BAFFLE PLATE | | 1 | | | |
| 030 | 243107-1 | GREASE NIPPLE | | 1 | | | |
| 031 | 346253-0 | CLAMP | | 1 | | | |
| 032 | 0119059780 | SOCKET HEAD BOLT M5X12 | | 1 | * | | |
| 032-1 | 922213-2 | H.S.H.BOLT M5X12 WITH WR | O | 1 | | | |
| 033 | 234224-8 | COMPRESSION SPRING 15 | | 2 | | | |
| 034 | 0119059360 | SOCKET HEAD BOLT | | 2 | * | | |
| 034-1 | 922224-7 | H.S.H.BOLT M5X16 WITH WG | O | 2 | | | |
| 035 | 234202-8 | COMPRESSION SPRING 15 | | 2 | | | |
| 036 | 0119059360 | SOCKET HEAD BOLT | | 2 | * | | |
| 036-1 | 922224-7 | H.S.H.BOLT M5X16 WITH WG | O | 2 | | | |
| 037 | 0119059870 | SOCKET HEAD BOLT M5X18 | | 3 | * | | |
| 037-1 | 266787-6 | H.S.H.BOLT M5X18 WITH WR | O | 3 | | | |
| 038 | 346252-2 | CLAMP | | 1 | | | |
| 039 | 0119059780 | SOCKET HEAD BOLT M5X12 | | 1 | * | | |
| 039-1 | 922213-2 | H.S.H.BOLT M5X12 WITH WR | O | 1 | | | |

| | | | | | | |
|-------|------------|--------------------------------|---|---|---|--|
| 040 | 331896-1 | PIPE | | 1 | | |
| 041 | 346255-6 | FRICITION PLATE | | 2 | | |
| 042 | 346251-4 | CONNECTING ROD | | 2 | | |
| 043 | 227248-1 | SPUR GEAR 43 | | 1 | * | |
| 043-1 | 227248-1 | SPUR GEAR 43 | O | 1 | | |
| 044 | 922128-3 | HEX. SOCKET HEAD BOLT M4X16 | | 8 | | |
| 045 | 318610-2 | GEAR CASE COVER | | 1 | | |
| 046 | 922237-8 | HEX. SOCKET HEAD BOLT M5X22 | | 1 | | |
| 047 | 413137-8 | GEAR CASE GASKET | | 1 | | |
| 048 | 443159-4 | SEAL | | 1 | | |
| 049 | 346256-4 | HOLDER | | 1 | | |
| 050 | 922237-8 | HEX. SOCKET HEAD BOLT M5X22 | | 1 | | |
| 051 | 0031105003 | WASHER | | 1 | * | |
| 051-1 | 941101-4 | FLAT WASHER 5 | O | 1 | | |
| 052 | 313211-1 | SLEEVE 5 | | 2 | | |
| 056 | 452325-2 | BLADE GUARD | | 1 | * | |
| 056-1 | 454672-7 | BLADE GUARD | < | 1 | | |
| 057 | 915211-3 | BINDING HEAD SCREW M5X12 | | 4 | | |
| 058 | 264036-5 | HEX.LOCK NUT M6-10 | | 4 | * | |
| 058-1 | 264089-4 | HEX. LOCK NUT M6-10 | O | 4 | | |
| 059 | 331926-8 | GUIDE BAR | | 1 | * | |
| 059-1 | 326771-4 | GUIDE BAR | < | 1 | * | |
| 059-2 | 332058-4 | GUIDE BAR | O | 1 | | |
| 060 | 346364-1 | PLATE | | 1 | * | |
| 060-1 | 346665-7 | PLATE | O | 1 | | |
| 061 | 725169-6 | SHEAR BLADE | | 1 | * | |
| 061-1 | 725187-4 | SHEAR BLADE | O | 1 | | |
| 062 | 725169-6 | SHEAR BLADE | | 1 | * | |
| 062-1 | 725187-4 | SHEAR BLADE | O | 1 | | |
| 063 | 346364-1 | PLATE | | 1 | * | |
| 063-1 | 346665-7 | PLATE | O | 1 | | |
| 064 | 266578-5 | SOCKET BUTTON HEAD BOLT M6 X20 | | 4 | * | |
| 064-1 | 266824-6 | H.S. BUTTON HEAD BOLT M6X20 | O | 4 | | |
| 065 | 452328-6 | BLADE COVER | | 1 | | |
| 066 | 892377-5 | EH5000W MODEL NO.LABEL | | 1 | * | |
| 066-1 | 802W36-1 | EH5000W MODEL NO. LABEL | O | 1 | | |
| 067 | 0150049860 | TAPPING SCREW M4X14 | | 4 | | |
| 068 | 125753-1 | RECOIL STARTER ASSEMBLY | | 1 | | |
| D10 | | INCL.69-76 | | | | |
| 069 | 5225004020 | HANDLE | | 1 | * | |
| 069-1 | 424319-7 | STARTER KNOB | O | 1 | | |
| 070 | 5255001040 | DAMPER | | 1 | * | |
| 070-1 | 424359-5 | DAMPER | O | 1 | | |
| 071 | 5215002030 | SPIRAL SPRING | | 1 | * | |
| 071-1 | 232258-5 | SPIRAL SPRING | O | 1 | | |
| 072 | 444028-2 | STARTER,ROPE | | 1 | | |
| 073 | 452402-0 | REEL | | 1 | | |
| 074 | 233991-2 | DAMPER,SPRING | | 1 | | |
| 075 | 452403-8 | CAM PLATE | | 1 | | |
| 076 | 5195002060 | SET SCREW | | 1 | * | |
| 076-1 | 266585-8 | TAPPING SCREW 5X12 | O | 1 | | |

| | | | | | | |
|-------|------------|---------------------------|---|---|---|--|
| 077 | 452948-6 | BLOWER HOUSING | | 1 | | |
| 078 | 0119059450 | SOCKET HEAD BOLT M5X18 | | 2 | * | |
| 078-1 | 266760-6 | H.S.H.BOLT M5X18 WITH WRM | O | 2 | | |
| 079 | 451911-6 | INSULATOR | | 1 | | |
| 080 | 346268-7 | INSULATOR GASKET | | 1 | | |
| 081 | 0119059870 | SOCKET HEAD BOLT M5X18 | | 4 | * | |
| 081-1 | 266787-6 | H.S.H.BOLT M5X18 WITH WR | O | 4 | | |
| 082 | 452556-3 | SPACER | | 1 | | |
| 083-1 | 168401-9 | SPARK PLUG | | 1 | | |
| 084 | 0654009931 | PLUG CAP SPRING | | 1 | * | |
| 084-1 | 324891-8 | PLUG CAP SPRING | O | 1 | | |
| 085 | S198113530 | RUBBER | | 1 | * | |
| 085-1 | 424491-5 | GROMMET | O | 1 | | |
| 086 | 0119049970 | SOCKET HEAD BOLT M4X20 | | 2 | * | |
| 086-1 | 922138-0 | H.S.H.BOLT M4X20 WITH WR | O | 2 | | |
| 087 | 168684-1 | IGNITION COIL | | 1 | | |
| 088 | 0851069920 | TUBE | | 1 | * | |
| 088-1 | 412102-4 | TUBE | O | 1 | | |
| 089 | 424302-4 | PLUG CAP | | 1 | | |
| 090 | 0119059620 | SOCKET HEAD BOLT M5X18 | | 1 | * | |
| 090-1 | 266760-6 | H.S.H.BOLT M5X18 WITH WRM | O | 1 | | |
| 091 | 451860-7 | CYLINDER COVER | | 1 | | |
| 092 | 5503503001 | SPACER | | 1 | | |
| 093 | 5415001160 | NUT | | 1 | * | |
| 093-1 | 264083-6 | NUT | O | 1 | * | |
| 093-2 | 264050-1 | SQUARE NUT M5-8 | O | 1 | | |
| 094 | 140508-3 | CYLINDER COMPLETE | | 1 | * | |
| 094-1 | 141381-4 | CYLINDER COMPLETE | O | 1 | | |
| 095 | S115113650 | PISTON RING | | 2 | * | |
| 095-1 | 257334-4 | PISTON RING 33 | O | 2 | | |
| 096 | S115313750 | PISTON | | 1 | * | |
| 096-1 | 318858-6 | PISTON | O | 1 | | |
| 097 | 0610089970 | NEEDLE ROLLER BEARING | | 1 | * | |
| 097-1 | 212702-8 | NEEDLE CAGE 810 | O | 1 | | |
| 098 | S115323130 | PIN,PISTON | | 1 | * | |
| 098-1 | 256543-2 | PISTON PIN 8 | O | 1 | * | |
| 098-2 | 268287-2 | PISTON PIN 8 | O | 1 | | |
| 099 | S198343210 | CLIP | | 2 | * | |
| 099-1 | 234243-4 | CLIP | O | 2 | | |
| 100 | 140429-9 | CRANKSHAFT COMPLETE | | 1 | | |
| 101 | S034309031 | WOODRUFF KEY | | 1 | * | |
| 101-1 | 254041-0 | WOODRUFF KEY | O | 1 | | |
| 102 | 346267-9 | CYLINDER GASKET | | 1 | | |
| 103 | 0119059870 | SOCKET HEAD BOLT M5X18 | | 3 | * | |
| 103-1 | 266787-6 | H.S.H.BOLT M5X18 WITH WR | O | 3 | | |
| 104 | 346260-3 | MUFFLER GASKET | | 1 | | |
| 105 | 168565-9 | MUFFLER | | 1 | * | |
| 105-1 | 161555-1 | MUFFLER | < | 1 | * | |
| 105-2 | 162530-0 | MUFFLER | < | 1 | | |
| 106 | 346343-9 | MUFFLER COVER | | 1 | | |
| 107 | 0140059962 | SCREW M5X5 | | 1 | | |
| 108 | 0119059550 | SOCKET HEAD BOLT | | 2 | * | |

| | | | | | | |
|-------|------------|--------------------------------|---|---|---|--|
| 108-1 | 266754-1 | SOCKET HEAD BOLT | O | 2 | | |
| 109 | 451861-5 | MUFFLER COVER | | 1 | | |
| 110 | 0119059620 | SOCKET HEAD BOLT M5X18 | | 2 | * | |
| 110-1 | 266760-6 | H.S.H.BOLT M5X18 WITH WRM | O | 2 | | |
| 111-1 | 141150-3 | CLUTCH COMPLETE | | 1 | | |
| 112 | 5231016000 | CRANKCASE ASSEMBLY | | 1 | | |
| D10 | | INCL.113-117 | | | | |
| 113 | 0440109970 | OIL SEAL (S) | | 1 | * | |
| 113-1 | 213148-1 | OIL SEAL 10 | O | 1 | * | |
| 113-2 | 213769-9 | OIL SEAL 10 | O | 1 | | |
| 114 | 0600109980 | BALL BEARING 6000 | | 2 | * | |
| 114-1 | 210086-8 | BALL BEARING 6000 | O | 2 | * | |
| 114-2 | 211064-1 | BALL BEARING 6000 | O | 2 | | |
| 115 | 413139-4 | CRANKCASE GASKET | | 1 | | |
| 116 | 0440109970 | OIL SEAL (S) | | 1 | * | |
| 116-1 | 213148-1 | OIL SEAL 10 | O | 1 | * | |
| 116-2 | 213769-9 | OIL SEAL 10 | O | 1 | | |
| 117 | 0119059870 | SOCKET HEAD BOLT M5X18 | | 3 | * | |
| 117-1 | 266787-6 | H.S.H.BOLT M5X18 WITH WR | O | 3 | | |
| 118 | 126046-9 | FLYWHEEL ASSEMBLY | | 1 | | |
| 119 | 5020109118 | NUT M6 | | 1 | * | |
| 119-1 | 264073-9 | CORNED DISC SPRING HEX NUT M6 | O | 1 | | |
| 120 | 125770-1 | FUEL TANK CAP ASSEMBLY | | 1 | * | |
| D10 | | INCL.121,122 | | | | |
| 120-1 | 127110-9 | FUEL TANK CAP ASSEMBLY | O | 1 | | |
| D10 | | INCL.121,122 | | | | |
| 121 | 125840-6 | FUEL TANK CAP ASSEMBLY | | 1 | * | |
| 122 | 140624-1 | STRAP COMPLETE | | 1 | * | |
| 123 | 424080-6 | BUFFER RUBBER | | 2 | | |
| 124 | 451867-3 | FUEL TANK | | 1 | * | |
| 124-1 | 458743-2 | FUEL TANK | S | 1 | | |
| 125 | 168568-3 | FUEL TUBE ASSEMBLY | | 1 | | |
| 126 | 0561059990 | HOSE CLAMP | | 1 | * | |
| 126-1 | 345920-4 | HOSE CLAMP | O | 1 | | |
| 127 | 5266500100 | FILTER | | 1 | * | |
| 127-1 | 163518-3 | GASOLINE FILTER | O | 1 | | |
| 128 | 0119059350 | SOCKET HEAD BOLT M5X20 | | 1 | * | |
| 128-1 | 251583-5 | H.SOCKET HEAD SHOULDER BOLT M5 | S | 1 | | |
| 129 | 452197-5 | SPACER | | 1 | * | |
| 129-1 | 458095-1 | SPACER | S | 2 | | |
| 130 | 265791-2 | THUMB SCREW M4 | | 1 | | |
| 131 | 819818-6 | CHOKE INDICATION LABEL | | 1 | * | |
| 131-1 | 8006P3-0 | CHOKE INDICATION LABEL | < | 1 | | |
| 132 | 451859-2 | AIR CLEANER COVER | | 1 | | |
| 133 | 443157-8 | AIR FILTER | | 1 | | |
| 134 | 443158-6 | AIR FILTER | | 1 | | |
| 135 | 0119059710 | SOCKET HEAD BOLT M5X60 | | 2 | * | |
| 135-1 | 266618-9 | H.S.BUTTON HEAD BOLT M5X60 | O | 2 | | |
| 136 | 5923502600 | PLATE | | 1 | * | |
| 136-1 | 345919-9 | PLATE | O | 1 | * | |

| | | | | | | |
|-------|------------|----------------------------|---|---|---|--|
| 136-2 | 346647-9 | PLATE | < | 1 | | |
| 137 | 126029-9 | AIR CLEANER PLATE ASSY | | 1 | | |
| 138 | 412097-1 | TUBE | | 1 | | |
| 139-1 | 168398-2 | PRIMER PUMP | | 1 | | |
| 140 | 5253503900 | GASKET,CARBURETOR | | 2 | * | |
| 140-1 | 413158-0 | CARBURETOR GASKET | O | 2 | | |
| 141 | 346334-0 | CABLE BRACKET | | 1 | | |
| 142 | 168569-1 | CARBURETOR | | 1 | | |
| D10 | | INCL.143-155 | | | | |
| 143 | 5216002020 | PAN HEAD SCREW | | 4 | * | |
| 143-1 | 266770-3 | SCREW | O | 4 | * | |
| 143-2 | WJ00096325 | SCREW | O | 4 | | |
| 144 | 5316005030 | PRIMER PUMP COVER | | 1 | * | |
| 144-1 | 346608-9 | METER DIAPHRAGM COVER | O | 1 | * | |
| 144-2 | WJ00021158 | METERING DIAPHRAGM COVER | O | 1 | | |
| 145 | 5266009010 | METERING DIAPHRAGM ASSY | | 1 | * | |
| 145-1 | 168620-7 | METERING DIAPHRAGM | O | 1 | | |
| 146 | 5016004130 | GASKET | | 1 | * | |
| 146-1 | 442183-4 | METERING DIAPHRAGM GASKET | O | 1 | | |
| 147 | 140661-5 | BODY ASSEMBLY-PUMP | | 1 | | |
| D10 | | INCL.148 | | | | |
| 148 | 5016004010 | INLET SCREEN | | 1 | * | |
| 148-1 | 352010-6 | INLET SCREEN | O | 1 | * | |
| 148-2 | WJ00014070 | INLET SCREEN | O | 1 | | |
| 149 | 5246001040 | PUMP DIAPHRAGM | | 1 | * | |
| 149-1 | 168575-6 | PUMP DIAPHRAGM | O | 1 | * | |
| 149-2 | WJ00009599 | PUMP DIAPHRAGM | O | 1 | | |
| 150 | 5926002040 | PUMP GASKET | | 1 | * | |
| 150-1 | 442155-9 | PUMP GASKET | O | 1 | | |
| 151 | 326005-5 | JET | | 1 | | |
| 152 | 5246001010 | O RING | | 1 | * | |
| 152-1 | 213538-8 | O RING 2 | O | 1 | | |
| 153 | 5206008030 | PAN HEAD SCREW | | 2 | * | |
| 153-1 | 266581-6 | PAN HEAD SCREW M3X8 WITH W | O | 2 | * | |
| 153-2 | WJ00096364 | SCREW M3X8 WITH WASHER | O | 2 | | |
| 154 | 5236018040 | SWIVEL | | 1 | * | |
| 154-1 | 325922-6 | SWIVEL | O | 1 | | |
| 155 | 5316005120 | RING | | 1 | * | |
| 155-1 | 257964-1 | STOP RING E-3 | O | 1 | | |
| 156 | 413147-5 | CARBURETOR GASKET | | 1 | | |
| 157 | 286284-6 | CAP | | 1 | | |
| 158 | 5259500300 | CAP | | 1 | * | |
| 158-1 | 286284-6 | CAP | O | 1 | * | |
| 159 | 801D19-4 | SERIAL NO. LABEL | | 1 | | |
| A01 | 195259-3 | TOOL SET | | 1 | * | |
| A01-1 | 782233-6 | BOX DRIVER 10-16 | S | 1 | | |
| A05 | 783223-2 | HEX. WRENCH 4 | | 1 | | |
| B01 | 126294-0 | SHEAR BLADE ASSEMBLY | | 1 | | |
| D10 | | INC. 52,58-64 | | | | |

Please state Parts No. when your order.

Print Date 18/10/2023