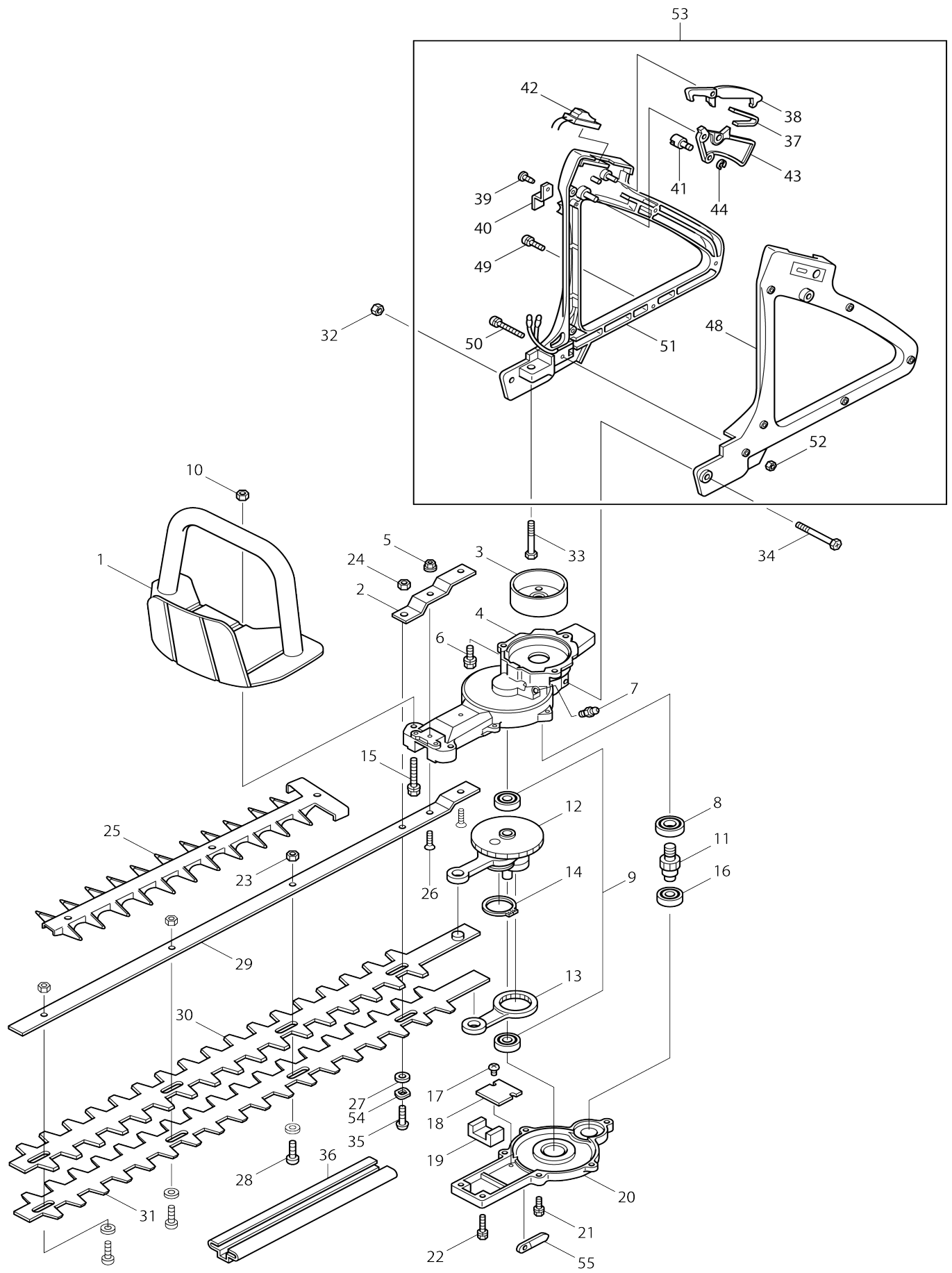
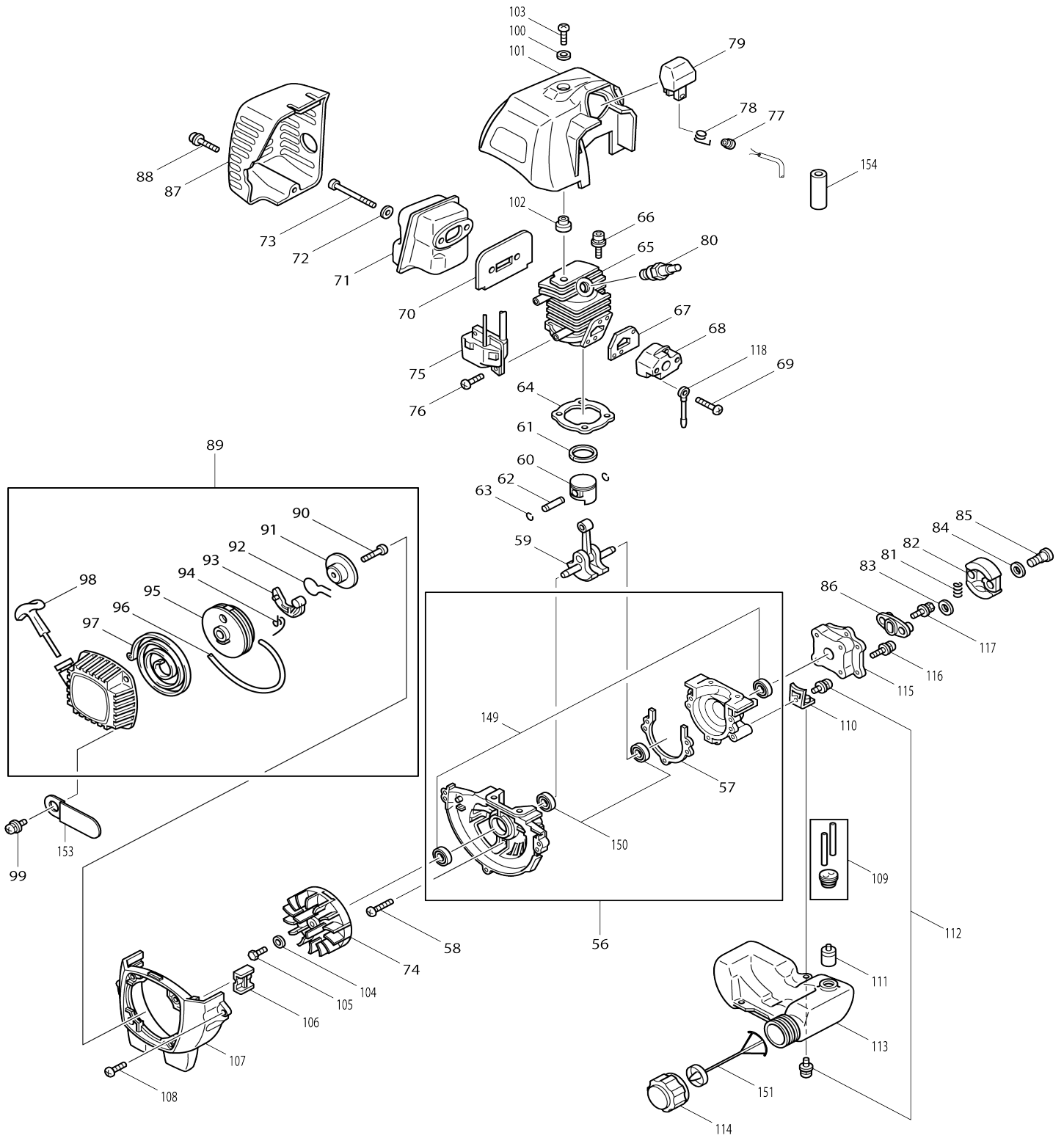


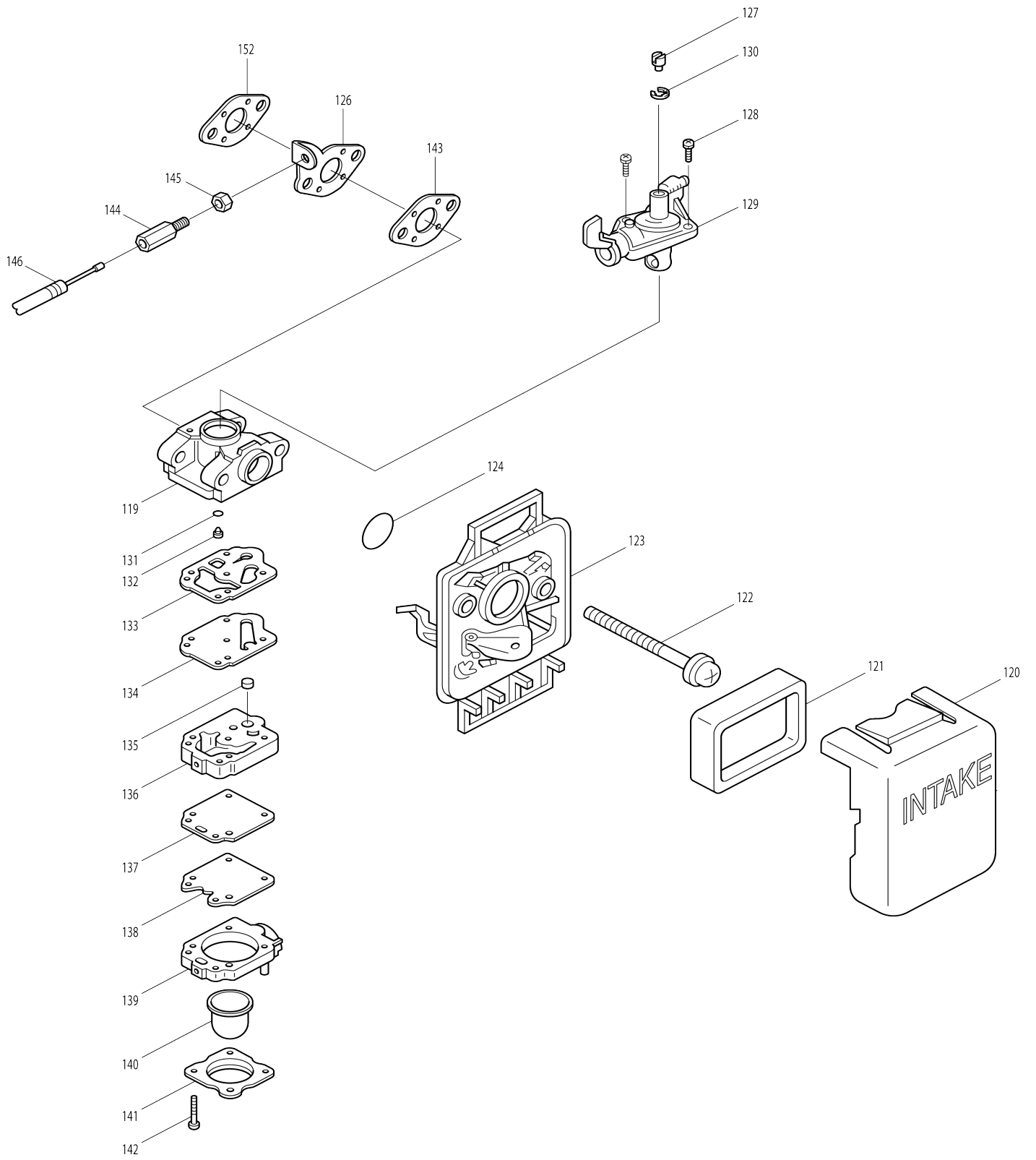
Model No.EH561 ENGINE HEDGE TRIMMER



Model No.EH561 ENGINE HEDGE TRIMMER



Model No.EH561 ENGINE HEDGE TRIMMER



Model No.EH561 ENGINE HEDGE TRIMMER

| Item No. | Parts No. | Description | Interchangability | Q'ty | New/Old | Note1 | Note2 |
|----------|------------|--------------------------------|-------------------|------|---------|-------|-------|
| 001 | 1181550000 | FRONT HANDLE | | 1 | * | | |
| 001-1 | 118155B000 | FRONT HANDLE | | 1 | * | | |
| 001-2 | 118155E000 | FRONT HANDLE | < | 1 | * | | |
| 001-3 | 1181550000 | FRONT HANDLE | O | 1 | | | |
| 002 | 0301080000 | REINFORCING PLATE | | 1 | * | | |
| 002-1 | 3251020040 | REINFORCING PLATE | S | 1 | | | |
| 003 | 1361410000 | DRUM COMPLETE | | 1 | | | |
| 004 | 1181410000 | CASE (UPPER) | | 1 | * | | |
| 004-1 | 0325100002 | UPPER CASE | S | 1 | | | |
| 005 | 162050000K | FLANGE NUT M5 | | 2 | | | |
| 006 | 054060150K | (+)HEX. BOLT M6X15 | | 2 | | | |
| 007 | 055001000R | GREASING NIPPLE M6 | | 1 | | | |
| 008 | 354060010K | BALL BEARING 6001 2RS | | 1 | | | |
| 009 | 351006080K | BALL BEARING 608Z | | 2 | | | |
| 010 | 150060000K | HEX. NUT M6 | | 2 | | | |
| 011 | 1361420000 | PINION GEAR | | 1 | | | |
| 012 | 1360030000 | GEAR CRANK ASS'Y | | 1 | | | |
| 013 | 1181000000 | ROD | | 2 | * | | |
| 013-1 | TE1A044000 | ROD | O | 2 | * | | |
| 013-2 | 1A044000TE | ROD | O | 2 | * | | |
| 013-3 | XOC0000018 | ROD | O | 2 | | | |
| 014 | 283026000K | RETAINING RING STW-26 | | 1 | | | |
| 015 | 055060350K | (+)HEX. BOLT M6X35 | | 2 | | | |
| 016 | 351006080K | BALL BEARING 608Z | | 1 | | | |
| 017 | 010030050K | (+)PAN HEAD SCREW M3X5 | | 2 | | | |
| 018 | 0301100000 | ROD SLIDING PLATE | | 1 | | | |
| 019 | 1181010000 | FELT | | 1 | * | | |
| 019-1 | 3251040040 | FELT | S | 1 | | | |
| 020 | 1181040000 | CASE (LOWER) | | 1 | * | | |
| 020-1 | 3251010020 | CASE (LOWER) | S | 1 | | | |
| 021 | 054050160K | (+)HEX. BOLT M5X16 | | 5 | | | |
| 022 | 054050200K | (+)HEX. BOLT M5X20 | | 2 | | | |
| 023 | 164060000K | HEX. U-NUT M6 | | 3 | | | |
| 024 | 164060000K | HEX. U-NUT M6 | | 1 | | | |
| 025 | 1181520000 | BLADE GUARD (W) | | 1 | | | |
| 026 | 031050200K | + COUNTERSUNK HEAD SCREW M5X20 | | 2 | | | |
| 027 | 0082500000 | BLADE SLIDING WASHER | | 4 | | | |
| 028 | 0082470000 | BLADE SLIDING SCREW (L=19) | | 3 | | | |
| 029 | 1181260000 | BLADE SUPPORT BAR | | 1 | | | |
| 030 | 0771060000 | UPPER BLADE | | 1 | * | | |
| 030-1 | 6018505400 | UPPER BLADE | O | 1 | | | |
| 031 | 0771070000 | LOWER BLADE | | 1 | * | | |
| 031-1 | 6018505500 | LOWER BLADE | O | 1 | | | |
| 032 | 150060000K | HEX. NUT M6 | | 1 | | | |
| 033 | 055060400K | (+)HEX. BOLT M6X40 | | 1 | | | |
| 034 | 055060500K | (+)HEX. BOLT M6X50 | | 1 | | | |
| 035 | 0082480000 | BLADE SLIDING SCREW (L=22) | | 1 | | | |

| | | | | | | | |
|-------|------------|-----------------------------|---|---|---|--|--|
| 036 | 028002039A | BLADE COVER | | 1 | | | |
| 037 | 1181540000 | LEAF SPRING | | 1 | * | | |
| 037-1 | 1181620000 | LEAF SPRING | | 1 | | | |
| 038 | 1181510000 | STOPPER | | 1 | | | |
| 039 | 112040100K | TAPPING SCREW M4X10 | | 1 | | | |
| 040 | 1181210000 | CABLE HOLDER | | 1 | | | |
| 041 | 1181110000 | WIRE END | | 1 | | | |
| 042 | 005044004A | SLIDE SWITCH | | 1 | | | |
| 043 | 1181150000 | LEVER | | 1 | | | |
| 044 | 280002500K | RETAINING RING ETW 2.5 | | 1 | | | |
| 048 | 1181500000 | REAR HANDLE (L) | | 1 | | | |
| 049 | 017040160K | PAN HEAD SCREW M4X16 | | 5 | | | |
| 050 | 017040300K | PAN HEAD SCREW M4X30 | | 1 | | | |
| 051 | 1181490000 | REAR HANDLE (R) | | 1 | | | |
| 052 | 150040000K | HEX. NUT M4 | | 6 | | | |
| 053A_ | 1180110000 | REAR HANDLE ASS'Y | | 1 | * | | |
| D10 | | INC. 37-44,48-52 | | | | | |
| 053A1 | 126493-4 | CONTROL LEVER ASSY | O | 1 | | | |
| D10 | | INC. 37-44,48-52 | | | | | |
| 054 | 229060000K | WAVE WASHER | | 1 | | | |
| 055 | 0566079970 | CLAMP | | 1 | | | |
| 056 | 5251003000 | CRANKCASE COMPLETE | | 1 | | | |
| D10 | | INC. 57 | | | | | |
| D11 | | INC. 57,149,150 | | | | | |
| 057 | 5231502202 | CRANKCASE GASKET | | 1 | * | | |
| 057-1 | 424447-8 | CRANK CASE GASKET | O | 1 | | | |
| 058 | 0140059520 | SCREW M5X25 | | 3 | * | | |
| 058-1 | 266701-2 | PAN HEAD SCREW M5X25 | O | 3 | * | | |
| 058-2 | 922241-7 | HEX. SOCKET HEAD BOLT M5X25 | O | 3 | | | |
| 059 | 5252002001 | CRANKSHAFT COMPLETE | | 1 | * | | |
| 059-1 | 5252002002 | CRANKSHAFT COMPLETE | O | 1 | | | |
| 060 | 5212500700 | PISTON | | 1 | | | |
| 061 | 5982500000 | PISTON RING | | 1 | | | |
| 062 | 5212500801 | PISTON PIN | | 1 | | | |
| 063 | 0565089970 | CLIP | | 2 | * | | |
| 063-1 | 233976-8 | CLIP | O | 2 | | | |
| 064 | 5231502304 | CYLINDER GASKET | | 1 | * | | |
| 064-1 | 442171-1 | CYLINDER GASKET | O | 1 | | | |
| 065 | 5251500300 | CYLINDER | | 1 | | | |
| 066 | 0119059730 | SOCKET HEAD BOLT M5X20 | | 2 | * | | |
| 066-1 | 266814-9 | HEX SOCKET HEAD BOLT M5X20 | O | 2 | | | |
| 067 | 5253500200 | INSULATOR GASKET | | 1 | | | |
| 068 | 5233014000 | INSULATOR COMPL. | | 1 | * | | |
| 068-1 | 141056-5 | INSULATOR COMPLETE | O | 1 | | | |
| 069 | 0140059500 | SCREW M5X25 | | 2 | * | | |
| 069-1 | 266700-4 | PAN HEAD SCREW M5X25 | O | 2 | | | |
| 070 | 5253500101 | MUFFLER GASKET | | 1 | * | | |
| 070-1 | 5253500102 | MUFFLER GASKET | | 1 | | | |
| 071 | 5253010000 | EXHAUST MUFFLER | | 1 | * | | |
| 071-1 | 5253010001 | EXHAUST MUFFLER | | 1 | * | | |
| 071-2 | 5253071000 | EXHAUST MUFFLER | O | 1 | | | |
| | | | | | | | |

| | | | | | | | |
|-------|------------|-----------------------------------|---|---|---|--|--|
| 072 | 0031005000 | WASHER M5 | | 2 | * | | |
| 072-1 | 267446-5 | WASHER 5 | O | 2 | | | |
| 073 | 0119059660 | SOCKET HEAD BOLT M5X50 | | 2 | * | | |
| 073-1 | 266592-1 | HEX. SOCKET HEAD BOLT M5X50 | O | 2 | | | |
| 074 | 5257001010 | MAGNETO FLYWHEEL | | 1 | | | |
| 075 | 5257001020 | IGNITION COIL | | 1 | * | | |
| 075-1 | 5257001021 | COIL | | 1 | | | |
| 076 | 0140049920 | SCREW ASS'Y M4X20 | | 2 | | | |
| 077 | 5257500300 | GROMMET | | 1 | * | | |
| 077-1 | 424313-9 | GROMMET | O | 1 | | | |
| 078 | 0654009931 | PLUG CAP SPRING | | 1 | * | | |
| 078-1 | 324891-8 | PLUG CAP SPRING | O | 1 | | | |
| 079 | 5237503301 | PLUG CAP | | 1 | | | |
| 080A_ | 0650149721 | SPARK PLUG | | 1 | * | | |
| 080A1 | 168662-1 | SPARK PLUG(BMR7A) | O | 1 | | | |
| 081 | 5238500500 | CLUTCH SPRING | | 1 | | | |
| 082 | 6252500800 | CLUTCH SHOE | | 2 | * | | |
| 082-1 | 6252500801 | CLUTCH SHOE | | 2 | | | |
| 083 | 6202500600 | WASHER | | 2 | * | | |
| 083-1 | 267429-5 | FLAT WASHER 6 | O | 2 | | | |
| 084 | 0200089910 | WASHER M8 | | 2 | * | | |
| 084-1 | 0200089911 | WASHER M8 | | 2 | * | | |
| 084-2 | 267817-6 | WASHER 8 | O | 2 | | | |
| 085 | 6252500400 | CLUTCH BOLT | | 2 | * | | |
| 085-1 | 266457-7 | SHOULDER HEX. BOLT M6X25 | O | 2 | | | |
| 086 | 6202500000 | HOLDER | | 1 | | | |
| 087 | 5253500500 | MUFFLER COVER | | 1 | | | |
| 088 | 0043705160 | SCREW ASS'Y | | 1 | | | |
| 089 | 5255001000 | REWIND STARTER ASS'Y | | 1 | | | |
| D10 | | INC. 90-98 | | | | | |
| 090 | 5255001020 | SET SCREW | | 1 | | | |
| 091 | 5505001030 | FRICTION PLATE | | 1 | | | |
| 092 | 5105015050 | FRICTION SPRING | | 1 | | | |
| 093 | 5105015020 | RATCHET | | 1 | | | |
| 094 | 5105015060 | RETURN SPRING | | 1 | | | |
| 095 | 5025001010 | REEL | | 1 | | | |
| 096 | 5235024022 | STARTER ROPE | | 1 | | | |
| 097 | 5025001020 | SPIRAL SPRING | | 1 | * | | |
| 097-1 | 232257-7 | SPIRAL SPRING | O | 1 | | | |
| 098 | 5225004020 | HANDLE | | 1 | * | | |
| 098-1 | 424319-7 | STARTER KNOB | O | 1 | | | |
| 099 | 0140059480 | SCREW ASS'Y M5X14 | | 4 | * | | |
| 099-1 | 266809-2 | P.H.SCREW M5X14 WITH WR | O | 4 | | | |
| 100 | 0200070010 | WASHER | | 1 | | | |
| 101 | 5255500301 | CYLINDER COVER (MAKITA COLO R) | | 1 | | | |
| 102 | 5503503001 | SPACER | | 1 | | | |
| 103 | 0140059490 | SCREW | | 1 | | | |
| 104 | 0031206000 | WASHER | | 1 | | | |
| 105 | 0011306160 | BOLT ASS'Y | | 1 | | | |
| 106 | 5215500300 | BAFFLE PLATE | | 1 | | | |
| 107 | 5255500001 | BLOWER HOUSING | | 1 | | | |

| | | | | | | |
|-------|------------|------------------------------|---|---|---|--|
| 108 | 0043505160 | SCREW ASS'Y | | 3 | | |
| 109 | 5256012001 | TUBE ASS'Y | | 1 | | |
| 110 | 5256002000 | TANK PLATE COMPLETE | | 1 | | |
| 111 | 5236503900 | FILTER | | 1 | * | |
| 111-1 | 163447-0 | FUEL FILTER | O | 1 | * | |
| 111-2 | 163447-0 | FUEL FILTER | O | 1 | | |
| 112 | 0043705160 | SCREW ASS'Y | | 4 | | |
| 113 | 5256025000 | FUEL TANK COMPLETE | | 1 | | |
| 114A_ | 5316014000 | FUEL TANK CAP COMPLETE | | 1 | * | |
| 114A1 | 5256058000 | FUEL TANK CAP | S | 1 | * | |
| 114A2 | 452920-8 | FUEL TANK CAP | O | 1 | | |
| 115 | 1181240000 | SPACER | | 1 | * | |
| 115-1 | 318892-6 | SPACER | O | 1 | | |
| 116 | 0140059450 | SCREW M5X18 | | 4 | | |
| 117 | 6202006000 | BOLT ASS'Y | | 1 | * | |
| 117-1 | 5235504700 | BOLT ASS'Y | O | 1 | * | |
| 117-2 | 266703-8 | HEX. HEAD BOLT M6X14 | O | 1 | | |
| 118 | 5607005000 | WIRE COMPLETE (2) | | 1 | | |
| 119B_ | 5256032000 | CARBURETOR | | 1 | | |
| D10 | | INC. 127,128,129A,130-142 | | | | |
| 120A_ | 5253020010 | AIR CLEANER COVER | | 1 | | |
| 121 | 5203004010 | AIR FILTER | | 1 | | |
| 122 | 0043305650 | SCREW ASS'Y | | 2 | * | |
| 122-1 | 265667-3 | PAN HEAD SCREW M5X65 WITH R | O | 2 | | |
| 123A_ | 5253003020 | AIR CLEANER HOUSING COMPLETE | | 1 | | |
| 124 | 5256501100 | O RING | | 1 | * | |
| 124-1 | 5236061000 | O RING | | 1 | | |
| 126A_ | 5256501900 | CABLE BRACKET | | 1 | | |
| 127 | 5236018040 | SWIVEL | | 1 | * | |
| 127-1 | 325922-6 | SWIVEL | O | 1 | | |
| 128 | 5206008030 | PAN HEAD SCREW | | 2 | * | |
| 128-1 | 266581-6 | PAN HEAD SCREW M3X8 WITH W | O | 2 | * | |
| 128-2 | WJ00096364 | SCREW M3X8 WITH WASHER | O | 2 | | |
| 129A_ | 5256032010 | THROTTLE VALVE ASS'Y | | 1 | | |
| 130 | 5316005120 | RING | | 1 | * | |
| 130-1 | 257964-1 | STOP RING E-3 | O | 1 | | |
| 131 | 5246001010 | O RING | | 1 | * | |
| 131-1 | 213538-8 | O RING 2 | O | 1 | | |
| 132 | 5026004010 | JET | | 1 | * | |
| 132-1 | 326085-1 | JET | O | 1 | | |
| 133 | 5246001030 | PUMP GASKET | | 1 | * | |
| 133-1 | 442172-9 | PUMP GASKET | O | 1 | | |
| 134 | 5246001040 | PUMP DIAPHRAGM | | 1 | * | |
| 134-1 | 168575-6 | PUMP DIAPHRAGM | O | 1 | * | |
| 134-2 | WJ00009599 | PUMP DIAPHRAGM | O | 1 | | |
| 135 | 5016004010 | INLET SCREEN | | 1 | * | |
| 135-1 | 352010-6 | INLET SCREEN | O | 1 | * | |
| 135-2 | WJ00014070 | INLET SCREEN | O | 1 | | |
| 136 | 5256007010 | PUMP BODY ASS'Y | | 1 | | |
| 137 | 5236046040 | METERING DIAPHRAGM GASKET | | 1 | * | |

| | | | | | | | |
|-------|------------|---------------------------|---|---|---|--|--|
| 137-1 | 442154-1 | METERING DIAPHRAGM GASKET | O | 1 | | | |
| 138 | 5316005250 | METERING DIAPHRAGM ASS'Y | | 1 | * | | |
| 138-1 | 168767-7 | METALING DIAPHRAGM | O | 1 | | | |
| 139 | 5236046060 | AIR PURGE BODY ASS'Y | | 1 | * | | |
| 139-1 | 140988-3 | AIR PURGE BODY ASSEMBLY | O | 1 | | | |
| 140 | 5246001150 | PRIMER PUMP | | 1 | * | | |
| 140-1 | 424314-7 | PRIMER PUMP | O | 1 | | | |
| 141 | 5236046050 | PRIMER PUMP COVER | | 1 | * | | |
| 141-1 | 346270-0 | PRIMER PUMP COVER | O | 1 | | | |
| 142 | 5236046010 | PUMP COVER SCREW | | 4 | * | | |
| 142-1 | 266582-4 | TAPPING SCREW 3X24 | O | 4 | | | |
| 143 | 5103502800 | SPACER GASKET | | 1 | * | | |
| 143-1 | 5103502801 | SPACER GASKET | O | 1 | * | | |
| 143-2 | 442177-9 | GASKET AIR CLEANER | O | 1 | | | |
| 144A_ | 5316020020 | CABLE ADJUST SCREW | | 1 | * | | |
| 144A1 | 326084-3 | CABLE ADJUST SCREW M6X13 | O | 1 | | | |
| 145 | 5316005450 | CABLE ADJUST NUT | | 1 | * | | |
| 145-1 | 264065-8 | CABLE ADJUST NUT M6 | O | 1 | | | |
| 146A_ | 0630029830 | CONTROL CABLE | | 1 | | | |
| 147 | 5259504500 | LABEL | | 1 | | | |
| 148 | 0561059990 | HOSE CLAMP | | 1 | * | | |
| 148-1 | 345920-4 | HOSE CLAMP | O | 1 | | | |
| 149 | 0440129970 | OIL SEAL | | 2 | * | | |
| 149-1 | 213628-7 | OIL SEAL | O | 2 | | | |
| 150 | 0600129920 | BALL BEARING #6001 C3 | | 2 | | | |
| 155 | 3251030040 | SLIGHTLY STOPPER | S | 1 | | | |
| A01 | 5019001000 | TOOL | | 1 | | | |
| E01 | 6255021001 | STRAP UNIT | | 1 | * | | |
| E01-1 | 6255021002 | STRAP UNIT | | 1 | * | | |
| E01-2 | 5256067000 | STRAP | S | 1 | * | | |
| E01-3 | 140436-2 | STRAP COMPLETE | O | 1 | | | |
| E02 | 5103502800 | SPACER GASKET | | 1 | * | | |
| E02-1 | 5103502801 | SPACER GASKET | O | 1 | * | | |
| E02-2 | 442177-9 | GASKET AIR CLEANER | O | 1 | | | |
| E03 | 0566059980 | CLAMP | | 1 | * | | |
| E03-1 | 345963-6 | CLAMP | O | 1 | | | |
| E04 | 0851049950 | TUBE | | 1 | | | |

Please state Parts No. when your order.

Print Date 01/23/2024