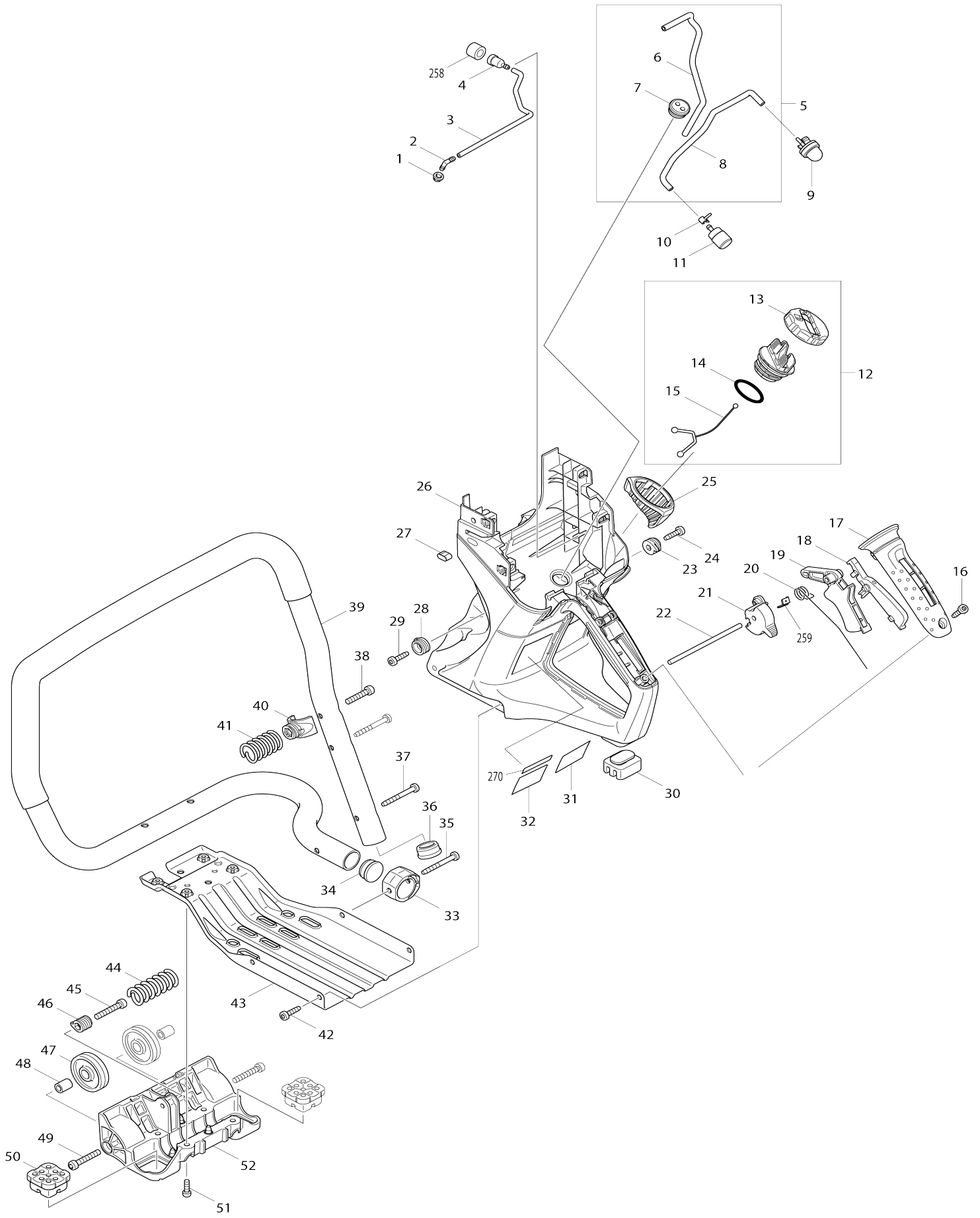
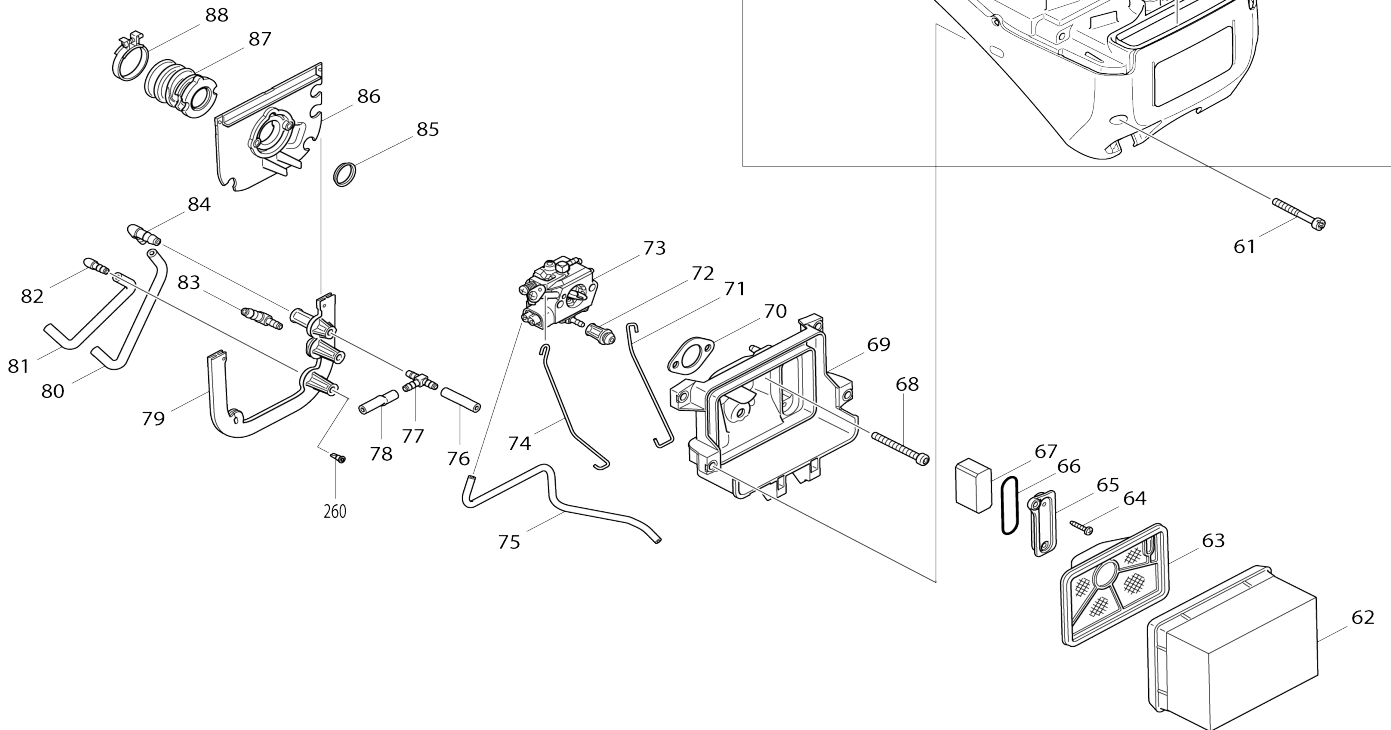
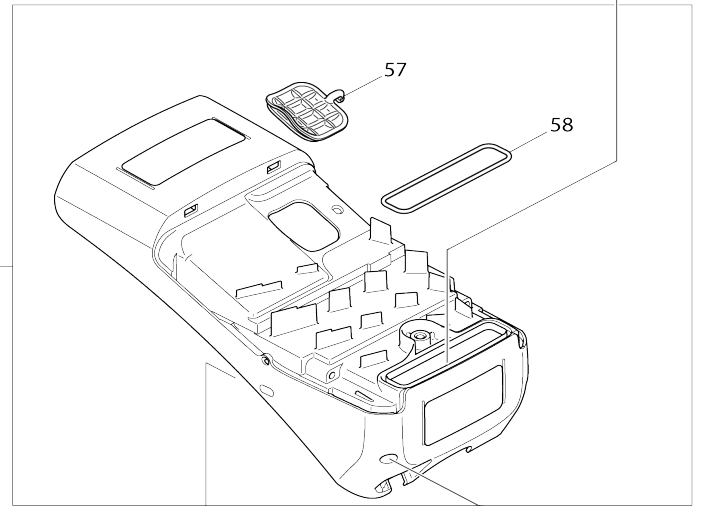
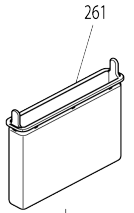
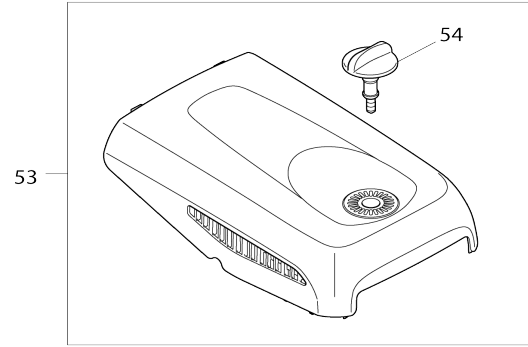


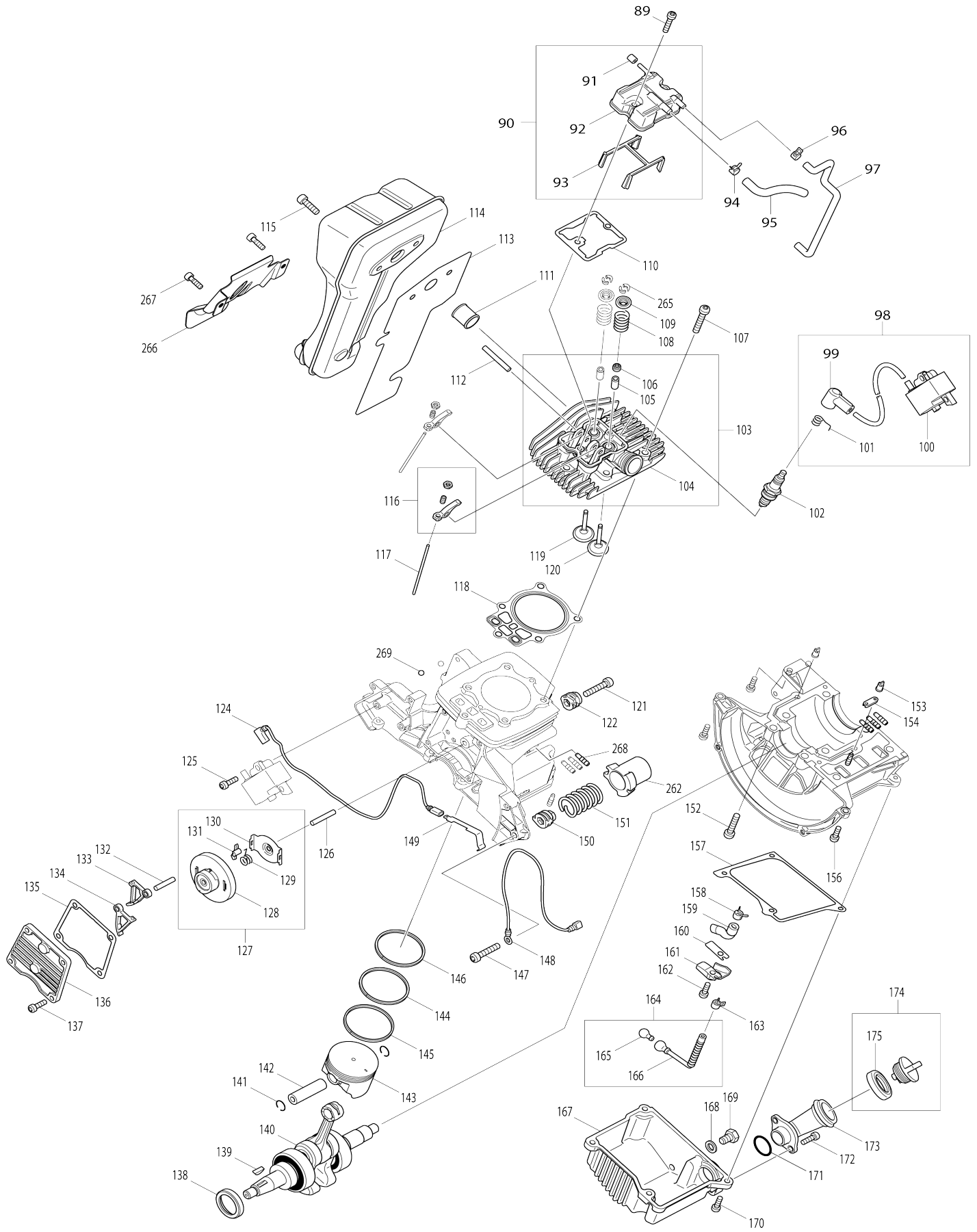
Model No.EK7651H POWER CUTTER



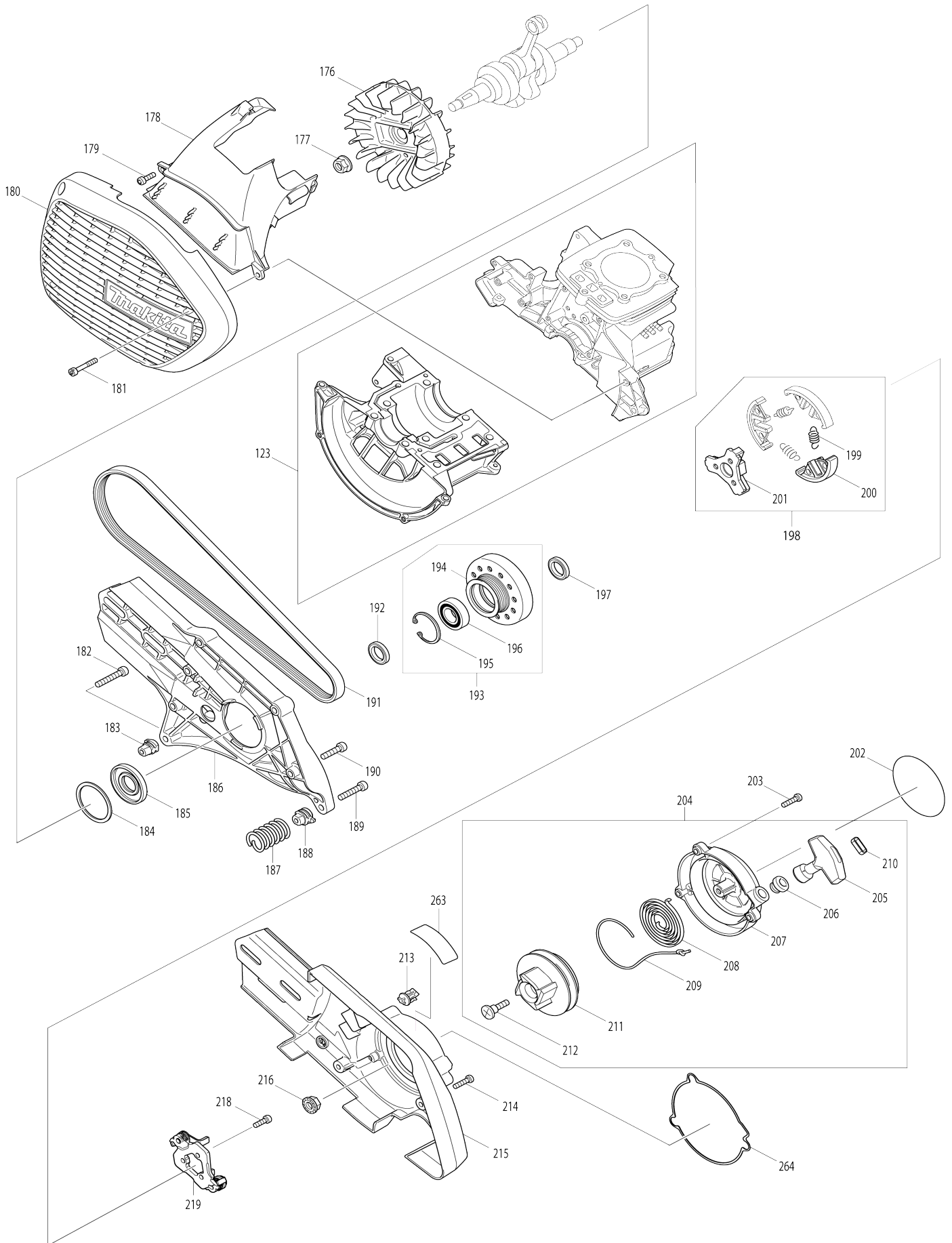
Model No.EK7651H POWER CUTTER



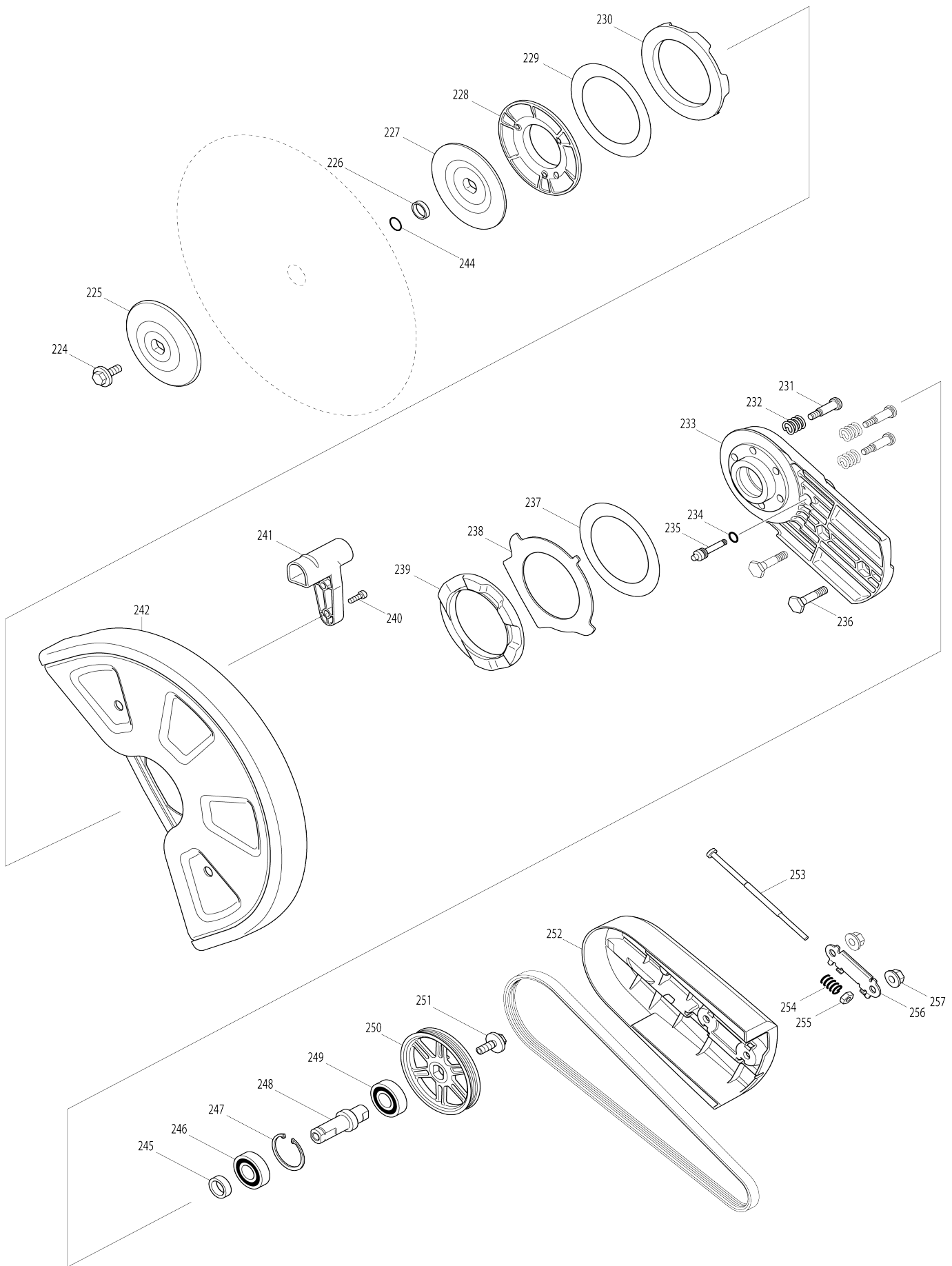
Model No.EK7651H POWER CUTTER



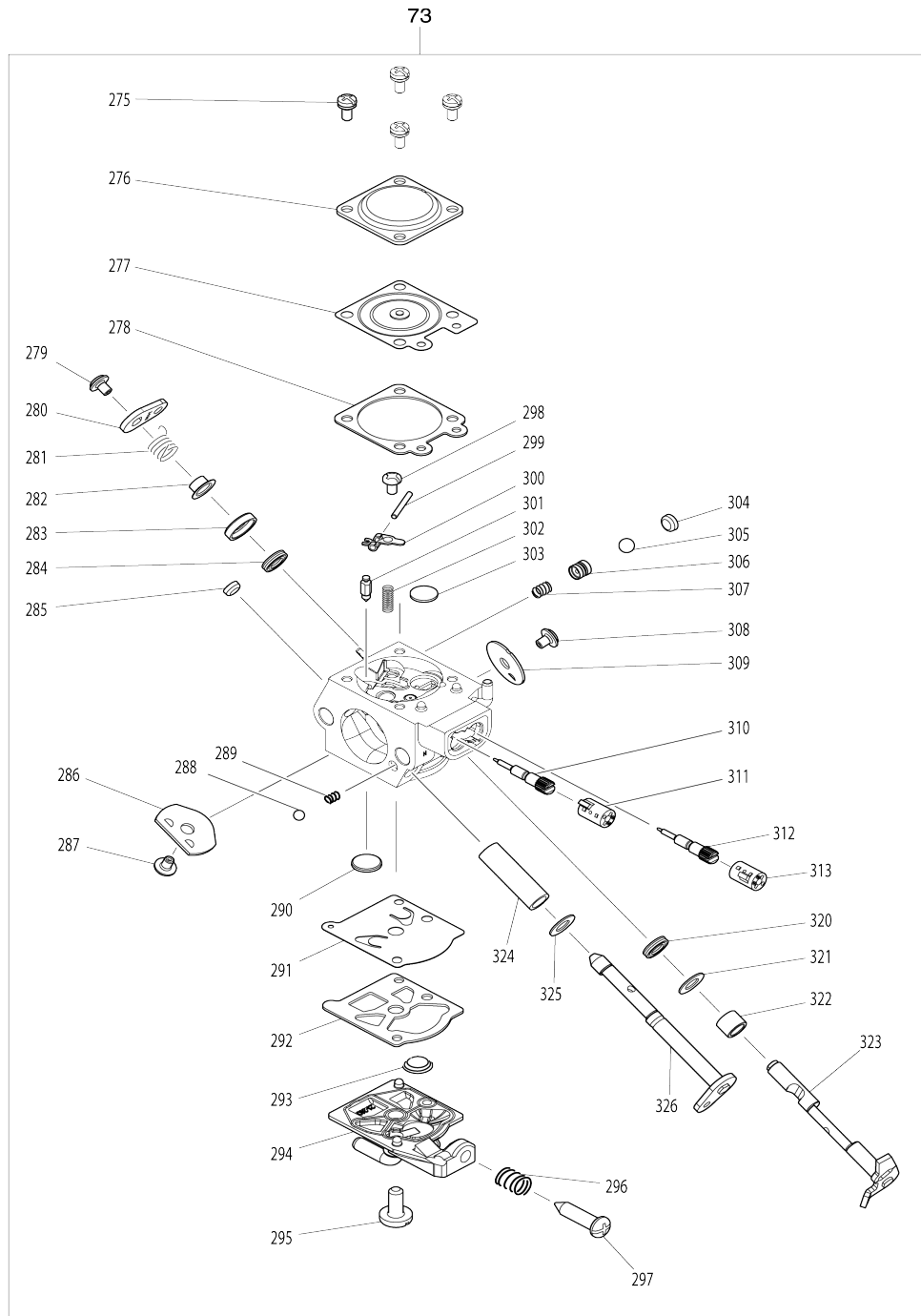
Model No.EK7651H POWER CUTTER



Model No.EK7651H POWER CUTTER



Model No.EK7651H POWER CUTTER



Model No.EK7651H POWER CUTTER

Item No.	Parts No.	Description	Interchangability	Q'ty	New/Old	Note1	Note2
001	421875-8	GROMMET		1			
002	452800-8	HOSE JOINT 4-4		1			
003	422083-4	TUBE 3-190		1			
004	168396-6	BREATHER		1			
005	142150-6	TUBE COMPLETE		1			
D10		INC. 6-8					
006	422074-5	TUBE 3-120		1			
007	424101-4	FUEL GROMMET		1			
008	422119-9	FUEL TUBE 3-300		1			
009	168398-2	PRIMER PUMP		1			
010	324616-0	HOSE CLAMP		1			
011	163447-0	FUEL FILTER		1	*		
011-1	163447-0	FUEL FILTER	O	1			
012	140831-6	TANK CAP COMPLETE		1	*		
D10		INC. 13-15					
012-1	140H45-5	TANK CAP COMPLETE	O	1			
D10		INC. 13-15					
013	452697-5	TANK CAP KNOB		1			
014	213080-9	O RING 29.5		1	*		
014-1	213831-0	O-RING 29.5	<	1	*		
014-2	213080-9	O RING 29.5	O	1			
015	450957-9	STRAP		1			
016	266475-5	H.L.TAPPING SCREW 5.5X20		1			
017	452736-1	GRIP COVER		1			
018	452722-2	LOCK OFF LEVER		1			
019	452721-4	THROTTLE LEVER		1			
020	233590-0	TORSION SPRING 12		1			
021	452723-0	SWITCH LEVER		1			
022	256520-4	ROD 5		1			
023	452742-6	REAR INNER HOLDER		1			
024	266475-5	H.L.TAPPING SCREW 5.5X20		1			
025	424408-8	TANK GUARD		1			
026	140774-2	TANK COMPLETE		1			
C10	898274-3	INDICATION LABEL		1			
C20	264066-6	SQUARE NUT M5-10		4			
027	424583-0	PLUG		1			
028	452742-6	REAR INNER HOLDER		1			
029	266475-5	H.L.TAPPING SCREW 5.5X20		1			
030	424404-6	REAR FOOT		1			
031	869686-7	EK7651H NAME PLATE		1	*		
031-1	850G00-0	EK7651H NAME PLATE	O	1			
033	452737-9	CLAMP		1			
034	424410-1	RUBBER CAP		1			
035	266687-0	TAPPING SCREW 5.5X45		1			
036	424410-1	RUBBER CAP		1			
037	266687-0	TAPPING SCREW 5.5X45		2			
038	266659-5	H.L. SOCKET HEAD BOLT M6X30		1			

039	331940-4	FRONT HANDLE		1		
040	452741-8	CENTER OUTER HOLDER		1		
041	234214-1	COMPRESSION SPRING 16		1		
042	266475-5	H.L.TAPPING SCREW 5.5X20		3		
043	346433-8	BOTTOM PLATE		1		
044	234213-3	COMPRESSION SPRING 13		1		
045	266659-5	H.L. SOCKET HEAD BOLT M6X30		1		
046	452740-0	FRONT INNER HOLDER		1		
047	318727-1	ROLLER 45		2		
048	257972-2	SLEEVE 6.5		2		
049	266660-0	H.L. SOCKET HEAD BOLT M6X35		2		
050	424405-4	FRONT FOOT		2		
051	266652-9	H.L. SOCKET HEAD BOLT M5X16		4	*	
051-1	266849-0	H.L.SOCKET HEAD BOLT M5X16	O	4		
052	318712-4	GUARD		1		
053	140903-7	TOP COVER COMPLETE		1		
D10		INC. 54				
054	266692-7	THUMB SCREW M6X15		1		
056	141040-0	FILTER COVER COMPLETE		1		
C10	893210-4	CAUTION LABEL		1		
C20	893211-2	CAUTION LABEL		1		
D10		INC. 57,58				
057	424409-6	PLUG COVER		1		
058	424417-7	PACKING		1		
061	266656-1	H.L. SOCKET HEAD BOLT M5X40		4		
062	442165-6	AIR FILTER		1		
063	424399-3	INNER FILTER		1		
064	266127-8	+ TAPPING SCREW PT 3X20		2		
065	452739-5	SEPARATER COVER		1		
066	213459-4	O RING 32		1		
067	352012-2	SEPARATOR MESH		1		
068	266657-9	H.L. SOCKET HEAD BOLT M5X45		2		
069	452720-6	FILTER BRACKET		1		
070	442166-4	CARBURETOR GASKET		1		
071	326040-3	THROTTLE LINKAGE		1		
072	424407-0	RUBBER JOINT		1		
073	168653-2	CARBURETOR WT		1		
D10		INC. 275-293,296-313,320-326				
074	326041-1	CHOKE LINKAGE		1		
075	422077-9	TUBE 3-190		1		
076	422080-0	TUBE 3-35		1		
077	452952-5	HOSE JOINT		1		
078	422079-5	TUBE 3-45		1		
079	424418-5	SEAL		1		
080	422082-6	TUBE 3-130		1		
081	422081-8	TUBE 3-75		1		
082	452951-7	HOSE JOINT 4-4		1		
083	452799-7	HOSE JOINT 4-6		1		
084	452799-7	HOSE JOINT 4-6		1		
085	346397-6	GUIDE RING		1		
086	452724-8	CARBURETOR MOUNT		1		
087	424397-7	SUCTION LINE		1		

088	346495-6	HOSE CLAMP 30		1			
089	266654-5	H.L. SOCKET HEAD BOLT M5X25		2	*		
089-1	266852-1	H.L.SOCKET HEAD BOLT M5X25	O	2			
090	140898-4	ROCKER COVER COMPLETE		1			
D10		INC. 91-93					
091	422073-7	TUBE 3-8		1			
092	318708-5	ROCKER COVER		1			
093	452726-4	OIL LINE		1			
094	345918-1	HOSE CLAMP		1			
095	422078-7	TUBE 5-70		1			
096	345918-1	HOSE CLAMP		1			
097	422076-1	TUBE 3-170		1			
098	126006-1	IGNITION COIL ASSEMBLY		1			
D10		INC. 99-101					
099	424105-6	PLUG CAP		1			
100	125920-8	IGNITION COIL		1			
101	326148-3	PLUG CAP SPRING		1			
102	168652-4	SPARK PLUG		1			
103	125946-0	CYLINDER HEAD ASSEMBLY		1	*		
D10		INC. 104-106					
103-1	135752-5	CYLINDER HEAD ASSEMBLY	<	1	*		
C10	125946-0	CYLINDER HEAD ASSEMBLY		1	*		
D10		INC. 104-106,108,109,112					
D20		INC. 116,119,120,265					
103-2	135785-0	CYLINDER HEAD ASS'Y	S	1			
C10	123772-1	CYLINDER HEAD ASSEMBLY		1			
D10		INC. 104-106,108,109,112					
D20		INC. 116,119,120,265					
104	140928-1	CYLINDER HEAD COMPLETE		1	*		
104-1	144051-4	CYLINDER HEAD COMPLETE	S	1			
105	331969-0	VALVE GUIDE		2			
106	424424-0	VALVE STEM SEAL		1			
107	266660-0	H.L. SOCKET HEAD BOLT M6X35		5			
108	234212-5	COMPRESSION SPRING 11		2			
109	331966-6	RETAINER		2			
110	346400-3	ROCKER COVER GASKET		1	*		
110-1	161301-2	ROCKER COVER GASKET	<	1			
111	331937-3	EXHAUST PORT SPACER		1			
112	256201-0	PIN 5		1	*		
112-1	268310-3	PIN 5	O	1			
113	346399-2	MUFFLER GASKET		1			
114	168638-8	EXHAUST MUFFLER		1	*		
114-1	161532-3	EXHAUST MUFFLER	S	1			
115	266693-5	H.L. SOCKET HEAD BOLT M6X18		3	*		
115-1	266693-5	H.L. SOCKET HEAD BOLT M6X18	<	3			
116	126005-3	ROCKER ARM ASSEMBLY		2			
117	256526-2	PUSH ROD		2			
118	442167-2	CYLINDER HEAD GASKET		1			
119	331965-8	EXHAUST VALVE		1			
120	331964-0	INTAKE VALVE		1			
121	266659-5	H.L. SOCKET HEAD BOLT M6X30		1			

122	318729-7	CENTER INNER HOLDER		1			
123	140901-1	CYLINDER BLOCK COMPLETE		1	*		
123-1	123578-7	ENGINE BLOCK ASSY(FOR SERVICE)	<	1			
C10	140901-1	CYLINDER BLOCK COMPLETE		1			
D10		INC. 89,90,103,107,110,117,118					
D20		INC. 126,127,132-138,140-146					
D30		INC. 152-154,156-164,167-174					
D40		INC. 184,185					
124	638776-5	LEAD UNIT		1			
125	266652-9	H.L. SOCKET HEAD BOLT M5X16		2	*		
125-1	266849-0	H.L.SOCKET HEAD BOLT M5X16	O	2			
126	256200-2	PIN 5		1			
127	125934-7	CAM GEAR ASSEMBLY		1	*		
D10		INC. 128-131					
127-1	123299-1	CAM GEAR ASSEMBLY	<	1			
D10		INC. 128-131					
128	140817-0	CAM GEAR COMPLETE		1			
129	233582-9	TORSION SPRING 9		1	*		
129-1	233623-1	TORSION SPRING 9	<	1			
130	346434-6	CAM GEAR PLATE		1			
131	318707-7	FLY WEIGHT		1			
132	256186-0	PIN 5		1			
133	313209-8	CAM LIFTER L		1			
134	313210-3	CAM LIFTER R		1			
135	442168-0	CAM GEAR GASKET		1			
136	318725-5	CAM GEAR COVER		1			
137	266652-9	H.L. SOCKET HEAD BOLT M5X16		4	*		
137-1	266849-0	H.L.SOCKET HEAD BOLT M5X16	O	4			
138	213599-8	OIL SEAL 17		1	*		
138-1	213599-8	OIL SEAL 17	O	1	*		
138-2	213091-4	OIL SEAL 17	<	1			
139	254001-2	WOODRUFF KEY 4		1			
140	140900-3	CRANKSHAFT COMPLETE		1	*		
140-1	127538-1	CRANKSHAFT ASSEMBLY	O	1			
141	233995-4	RING SPRING 12		2			
142	326039-8	PISTON PIN		1			
143	318726-3	PISTON		1	*		
143-1	197457-5	PISTON SET	<	1			
C10	318726-3	PISTON		1			
D10		INC. 141,144					
144	257332-8	SECOND RING		1	*		
144-1	197458-3	PISTON RING SET	<	1			
145	257333-6	OIL RING		1	*		
146	257331-0	TOP RING		1	*		
147	266659-5	H.L. SOCKET HEAD BOLT M6X30		1			
148	638777-3	LEAD UNIT		1			
149	232268-2	CONTACT SPRING		1			
150	318730-2	REAR OUTER HOLDER		1			
151	234214-1	COMPRESSION SPRING 16		1			
152	266659-5	H.L. SOCKET HEAD BOLT M6X30		8			
153	424201-0	CHECK VALVE		2			

154	424406-2	GROMMET		1			
156	266652-9	H.L. SOCKET HEAD BOLT M5X16		3	*		
156-1	266849-0	H.L.SOCKET HEAD BOLT M5X16	O	3			
157	452738-7	OIL CASE GASKET		1			
158	345918-1	HOSE CLAMP		1			
159	422084-2	TUBE 5-55		1			
160	346398-4	LEAD VALVE		1			
161	318709-3	RETAINER PLATE		1			
162	266652-9	H.L. SOCKET HEAD BOLT M5X16		1	*		
162-1	266849-0	H.L.SOCKET HEAD BOLT M5X16	O	1			
163	345918-1	HOSE CLAMP		1			
164	168655-8	OIL TUBE COMPLETE		1			
D10		INC. 165,166					
165	326177-6	OIL WEIGHT		1			
166	424384-6	OIL TUBE		1			
167	318710-8	OIL CASE		1			
168	346452-4	GASKET		1			
169	921412-3	HEX. BOLT M8X12		1			
170	266652-9	H.L. SOCKET HEAD BOLT M5X16		4	*		
170-1	266849-0	H.L.SOCKET HEAD BOLT M5X16	O	4			
171	213548-5	O-RING 20		1			
172	266862-8	H.L.S.H. BOLT M5X16 WITH WR		2			
173	452614-5	OIL PIPE		1			
174	140899-2	OIL CAP COMPLETE		1			
D10		INC. 175					
175	424421-6	OIL CAP GASKET		1			
176	318704-3	FLYWHEEL		1			
177	264054-3	FLANGE NUT M10		1			
178	452617-9	CYLINDER COVER		1			
179	266652-9	H.L. SOCKET HEAD BOLT M5X16		1	*		
179-1	266849-0	H.L.SOCKET HEAD BOLT M5X16	O	1			
180	452616-1	FAN COVER		1			
181	266655-3	H.L. SOCKET HEAD BOLT M5X30		4			
182	266659-5	H.L. SOCKET HEAD BOLT M6X30		1			
183	318728-9	FRONT OUTER HOLDER		1			
184	267448-1	FLAT WASHER 41		1			
185	213598-0	OIL SEAL(L)		1	*		
185-1	213090-6	OIL SEAL(L)	<	1			
186	318711-6	CUTTING ARM		1	*		
186-1	319234-7	CUTTING ARM	S	1			
187	234214-1	COMPRESSION SPRING 16		1			
188	318730-2	REAR OUTER HOLDER		1			
189	266659-5	H.L. SOCKET HEAD BOLT M6X30		1			
190	266658-7	H.L. SOCKET HEAD BOLT M6X25		5			
191	225094-6	V BELT 5-800		1			
192	331970-5	SPACER17		1			
193	125945-2	CLUTCH DRUM ASSEMBLY		1			
D10		INC. 194-196					
194	165636-3	CLUTCH DRUM		1			
195	962163-9	RETAINING RING R-35		1			
196	210138-5	BALL BEARING 6003LLU		1			
197	331970-5	SPACER17		1			

198	168656-6	CLUTCH COMPLETE		1	*		
D10		INC. 199-201					
198-1	168834-8	CLUTCH COMPLETE	<	1			
D10		INC. 199-201					
199	231871-6	TENSION SPRING 6		3	*		
199-1	231884-7	TENSION SPRING 6	<	3			
200	313207-2	CLUTCH SHOE		3			
201	313208-0	CLUTCH HOLDER		1			
202	893121-3	EK7651H MODEL NO.LABEL		1			
203	266792-3	H.L. SOCKET HEAD BOLT M5X18		3			
204	125919-3	STARTER ASSEMBLY		1	*		
D10		INC. 205-212					
204-1	125919-3	STARTER ASSEMBLY	O	1			
D10		INC. 205-212					
205	424501-8	STARTER KNOB		1	*		
205-1	SG00000060	STARTER KNOB	O	1	*		
205-2	424501-8	STARTER KNOB	O	1			
206	332046-1	ROPE GUIDE		1	*		
206-1	SG00000058	STARTER CASE COMPLETE	O	1			
207	452613-7	STARTER CASE		1	*		
208	232262-4	SPIRAL SPRING		1	*		
208-1	SG00000014	SPIRAL SPRING	O	1			
209	444040-2	STARTER ROPE		1	*		
209-1	SG00000059	STARTER ROPE	O	1			
210	424500-0	ROPE STOPPER		1	*		
210-1	SG00000061	ROPE STOPPER	O	1			
211	453466-7	REEL		1	*		
211-1	SG00000015	REEL	O	1			
212	266634-1	SET SCREW M6X20		1	*		
212-1	SG00000013	SET SCREW M6X20	O	1			
213	452930-5	HOLDER		1			
214	266653-7	H.L. SOCKET HEAD BOLT M5X20		3	*		
214-1	266847-4	H.L.SOCKET HEAD BOLT M5X20	O	3	*		
214-2	266851-3	H.L.BIND BOLT M5X20	<	3			
215	452621-8	CLUTCH COVER		1	*		
215-1	455559-6	CLUTCH COVER	S	1			
216	264080-2	HEX. LOCK NUT M10-17		1			
218	266784-2	H.L. SOCKET HEAD BOLT M5X12		3	*		
218-1	266859-7	H.L.SOCKET HEAD BOLT M5X12	O	3			
219	140816-2	RATCHET COMPLETE		1	*		
219-1	144100-7	RATCHET COMPLETE	O	1			
C10	347089-0	RATCHET		2			
C20	347090-5	RATCHET HOLDER		1			
C30	251505-5	HEX. BOLT M5		2			
C40	232333-7	TORSION SPRING 15		2			
224	266690-1	HEX. BOLT M8X25		1			
225	224443-4	FLANGE 102		1	*		
225-1	224478-5	FLANGE 102	O	1			
226	257314-0	RING 17		1			
227	224443-4	FLANGE 102		1	*		
227-1	224478-5	FLANGE 102	O	1			

228	318746-7	PRESSURE RING		1		
229	442169-8	SLIDING DISC		1		
230	424426-6	RUBBER RING(INNER)		1		
231	266689-6	H.L.COLLAR BOLT M6		3	*	
231-1	266970-5	H.L.SOCKET HEAD COLLAR BOLT M6	O	3		
232	234216-7	COMPRESSION SPRING 8		3	*	
232-1	234374-9	COMPRESSION SPRING 8	O	3		
233	318722-1	CUTTING DEVICE		1		
234	213625-3	O-RING 9		1		
235	326038-0	LOCK SHAFT		1		
236	266688-8	HEX. BOLT M8		2	*	
236-1	266969-0	HEX. BOLT M8	<	2		
237	442169-8	SLIDING DISC		1		
238	346455-8	IMPACT PLATE		1		
239	424427-4	RUBBER RING(OUTER)		1		
240	266725-8	H.L.SOCKET HEAD BOLT M5X16		2	*	
240-1	265642-9	H.L.SOCKET HEAD BOLT M5X16	O	2		
241	452938-9	GRIP		1		
242	141042-6	HOOD COMPLETE		1	*	
C10	893218-8	CAUTION LABEL		1	*	
242-1	141042-6	HOOD COMPLETE	O	1		
C10	893218-8	CAUTION LABEL		1		
244	213162-7	O RING 14		1		
245	257971-4	RING 17		1		
246	211281-3	BALL BEARING 6203LLU		1		
247	962157-4	RETAINING RING R-40		1		
248	326062-3	SPINDLE		1		
249	211281-3	BALL BEARING 6203LLU		1		
250	222174-9	V PULLEY 5-95.8		1		
251	266690-1	HEX. BOLT M8X25		1		
252	452698-3	BELT COVER		1	*	
252-1	455936-2	BELT COVER	S	1		
253	266691-9	TENSIONING SCREW M6		1	*	
253-1	265644-5	TENSIONING SCREW M6	O	1		
254	234215-9	COMPRESSION SPRING 6		1		
255	252157-5	SQUARE NUT M6		1		
256	346457-4	PLATE		1		
257	264081-0	HEX. NUT M8		2	*	
257-1	264055-1	COLLARED HEX. NUT M8	S	2		
258	424023-8	SPONGE SLEEVE 9		1		
259	346554-6	PLATE		1		
260	424316-3	CHECK VALVE		1		
261	166106-5	DUST BAG		1		
262	424499-9	RUBBER SLEEVE 22		1		
263	800E23-6	CAUTION LABEL		1		
264	346611-0	STARTER COVER GASKET		1		
265	331967-4	COTTER		4		
266	346589-7	MUFFLER GUARD		1	*	
267	266782-6	H.L.S. HEAD BOLT M5X16 WITH WG		2	*	
268	325665-0	JOINT PIPE		4		

269	331897-9	BALL		2		
270	897179-4	SERIAL NO. LABEL		1	*	
270-1	850F72-9	SERIAL NO. LABEL	O	1		
275	WJ00096589	SCREW ASSEMBLY		4		
276	141943-8	METERING COVER ASSEMBLY		1		
277	168620-7	METERING DIAPHRAGM		1		
278	442183-4	METERING DIAPHRAGM GASKET		1		
279	WJ00096475	SCREW		1		
280	WJ00183498	THROTTLE LEVER		1		
281	WJ00983707	SPRING		1		
282	WJ00014886	BUSHING 148-86		1		
283	WJ00148545	BUSHING		1		
284	WJ00015631	THROTTLE SHAFT SEAL		1		
285	WJ00088119	PLUG CAP		1		
286	WJ00343480	CHOKE VALVE		1		
287	WJ00096475	SCREW		1		
288	5806122220	BALL		1		
289	5806122210	SPRING		1		
290	352010-6	INLET SCREEN		1	*	
290-1	WJ00014070	INLET SCREEN	O	1		
291	WJ00009589	PUMP DIAPHRAGM		1		
292	442192-3	PUMP GASKET		1	*	
292-1	WJ00092225	GASKET-PUMP	O	1		
293	234183-6	CONICAL COMPRESSION SPRING 5-9		1		
296	5106045250	SPRING		1	*	
296-1	WJ00098217	SPRING	O	1		
297	WJ00096368	IDLE ADJUST SCREW		1		
298	5016004110	SCREW		1		
299	WJ00014477	METERING LEVER PIN		1		
300	WJ00016648	LEVER		1		
301	WJ00008282	INLET NEEDLE VALVE		1		
302	234277-7	COMPRESSION SPRING 3		1		
303	5416036160	PLUG-WELCH		1		
304	WJ00088229	CUP PLUG		1		
305	WJ00008995	BALL		1		
306	WJ00160580	PISTON ASSEMBLY ACCELERATO R		1		
307	WJ00983164	SPRING		1		
308	WJ00096475	SCREW		1		
309	5806122260	THROTTLE VALVE		1		
310	WJ01023347	NEEDLE		1		
311	WJ00025162	LIMITER CAP		1		
312	WJ01023343	NEEDLE		1		
313	WJ00025162	LIMITER CAP		1		
320	WJ00015631	THROTTLE SHAFT SEAL		1		
321	WJ00136194	WASHER		1		
322	WJ00014896	SPACER-THROTTLE LEVER		1		
323	WJ00224273	SHAFT ASSEMBLY-THROTTLE		1		
324	WJ00148542	SLEEVE-CHOKE		1		
325	WJ00136231	WASHER		1		
326	WJ00224210	SHAFT ASSEMBLY-CHOKE		1		

A01	195488-8	TOOL KIT		1	*		
C10	782025-3	HEXALOBULAR WRENCH 27		1	*		
C20	782236-0	WRENCH 13-16		1	*		
C30	783012-5	SCREWDRIVER		1	*		
C40	831340-3	TOOL BAG		1	*		
A01-1	195488-8	TOOL KIT	O	1			
C10	782025-3	HEXALOBULAR WRENCH 27		1			
C20	782236-0	WRENCH 13-16		1			
C30	783012-5	SCREWDRIVER		1			
C40	831340-3	TOOL BAG		1			
A02	195532-1	OIL BOTTLE SET		1			
A03	195534-7	WATER SET		1			
C10	123121-2	COUPLING SLEEVE		1			
C20	126068-9	WATER SET PART		1			
C30	266707-0	H.L.SOCKET HEAD BOLT M5X10		1			
C40	452930-5	HOLDER		1			
A04	195945-6	PRE FILTER SET		1	*		
A04-1	198172-4	PRE FILTER SET	O	1	*		
A04-2	198172-4	PRE FILTER SET	O	1			
E01	898428-2	CAUTION PLATE		1			
E02	898746-8	CAUTION TAG		1			
E03	898855-3	CAUTION TAG		1			

Please state Parts No. when your order.

Print Date 18/10/2023