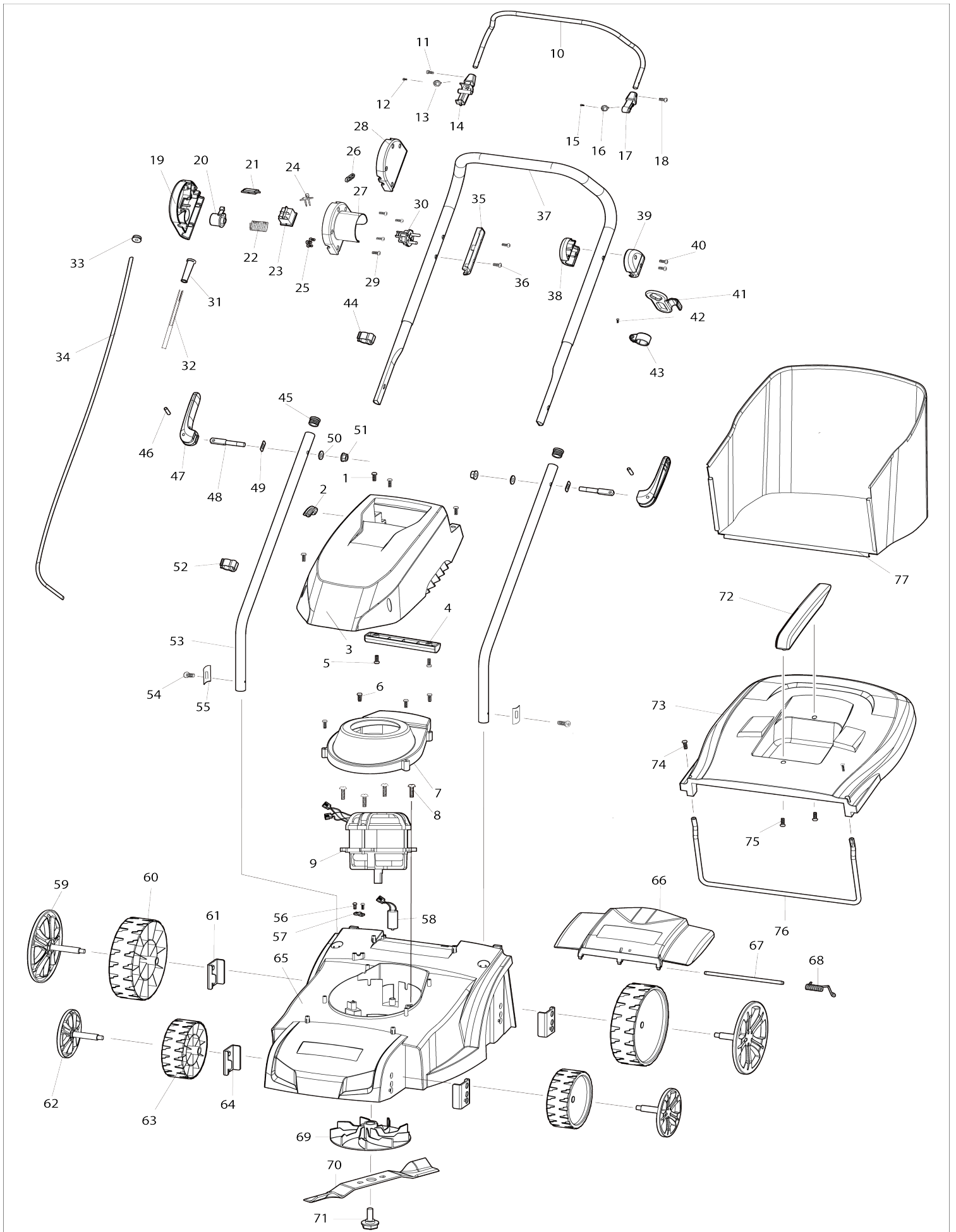


Model No.ELM3310 ELECTRIC LAWN MOWER



Model No.ELM3310 ELECTRIC LAWN MOWER

Item No.	Parts No.	Description	Interchangeability	Q'ty	New/Old	Note1	Note2
001	DA00000873	TAPPING SCREW ST4.2X15		4			
002	DA00000810	GROMMET		1			
003	671200102	MOTOR COVER		1			
004	671441001	HANDLE COVER		1			
005	DA00000873	TAPPING SCREW ST4.2X15		2			
006	DA00000873	TAPPING SCREW ST4.2X15		4			
007	671370010	MOTOR CASING		1			
008	671001053	SELF-TAPPING SCREW ST6X30		4			
009	DA00000809	MOTOR ASSY 230V 50HZ		1			
010	671016200	SWITCH LEVER		1			
011	671002033	PAN.HEAD SCREW M4X8		1			
012	DA00000816	TAPPING SCREW ST3X10		1			
013	671011124	TENSION SPRING		2			
014	DA00001023	SWITCH LEVER END CAP RIGHT		1			
015	DA00000816	TAPPING SCREW ST3X10		1			
016	671011124	TENSION SPRING		2			
017	671279005	SWITCH LEVER END CAP LEFT		1			
018	671002033	PAN.HEAD SCREW M4X8		1			
019	DA00001024	SWITCH BOX RIGHT		1			
020	671425002	SWITCH LINK BUTTON		1			
021	DA00000842	INDICATOR LENZ		1			
022	671011079	COMPRESSION SPRING		1			
023	671010040	SWITCH		1			
024	DA00000813	POWER SUPPLY INDICATOR LED		1			
025	DA00000826	SELF-TAPPING SCREW ST4X12		2			
026	DA00000814	CORD CLAMP		1			
027	DA00000984	SWITCH BOX LEFT		1			
029	DA00000603	TAPPING SCREW ST4X16		4			
030	DA00000815	POWER SUPPLY PLUG UNIT		1			
033	DA00000818	GROMMET		1			
034	671010050	POWER SUPPLY CORD 1.0-2		1			
035	671428001	PRESSING PLATE OF SWITCH BOX		1			
036	DA00000603	TAPPING SCREW ST4X16		2			
037	671001613	UPPER HANDLE BAR		1			
038	671434001	SWITCH LEVER BOX RIGHT		1			
039	671434002	SWITCH LEVER BOX LEFT		1			
040	DA00000603	TAPPING SCREW ST4X16		2			
041	671001052	POWER SUPPLY CORD HANGER		1			
042	DA00000826	SELF-TAPPING SCREW ST4X12		1			
043	671108303	CORD HANGER STOPPER RING		1			
044	671277001	CABLE CLIP		1			
045	DA00000811	PIPE END CAP		2			
046	671090040	PIN 5.3X20		2			
047	671431001	TENSION LEVER		2			
048	671002466	TENSION BOLT M6		2			
049	DA00000812	PRESSER PLATE		2			
050	671007007	FLAT WASHER 8		2			

051	DA00000575	HEX.CAP NUT M6		2		
052	671277001	CABLE CLIP		1		
053	671001614	LOWER HANDLE BAR		2		
054	DA00000888	TAPPING SCREW ST5X12		2		
055	DA00000812	PRESSER PLATE		2		
056	DA00000826	SELF-TAPPING SCREW ST4X12		2		
057	671010230	CORD CLAMP		1		
058	DA00001193	CAPACITOR 16 MICRO F		1		
059	DA00000906	7 INCH WHEEL COVER WITH AXLE		2		
060	671419001	7 INCH WHEEL		2		
061	671014150	PLATE FOR AXLE		2		
062	DA00000905	5 INCH WHEEL COVER WITH AXLE		2		
063	671421001	5 INCH WHEEL		2		
064	671014150	PLATE FOR AXLE		2		
065	671900103	DECK BLUE		1		
066	671438001	REAR FLAP		1		
067	671010260	REAR FLAP SHAFT		1		
068	671011121	TORSION SPRING		1		
069	671051300	FAN		1		
070	671142202	BLADE		1		
071	DA00000827	HEX.BOLT FOR BLADE		1		
072	671423001	HANDLE OF GRASS CATCHER		1		
073	671440001	COVER OF GRASS CATCHER		1		
074	671002007	TAPPING SCREW CT 4X12		2		
075	DA00000873	TAPPING SCREW ST4.2X15		2		
076	671001424	GRASS CATCHER BRACKET		1		
077	671001415	GRASS CATCHER(MAKITA LOGO)		1		
A01	671002009	SINGLE END BOX WRENCH 22		1		

Please state Parts No. when your order.

Print Date 18/10/2023