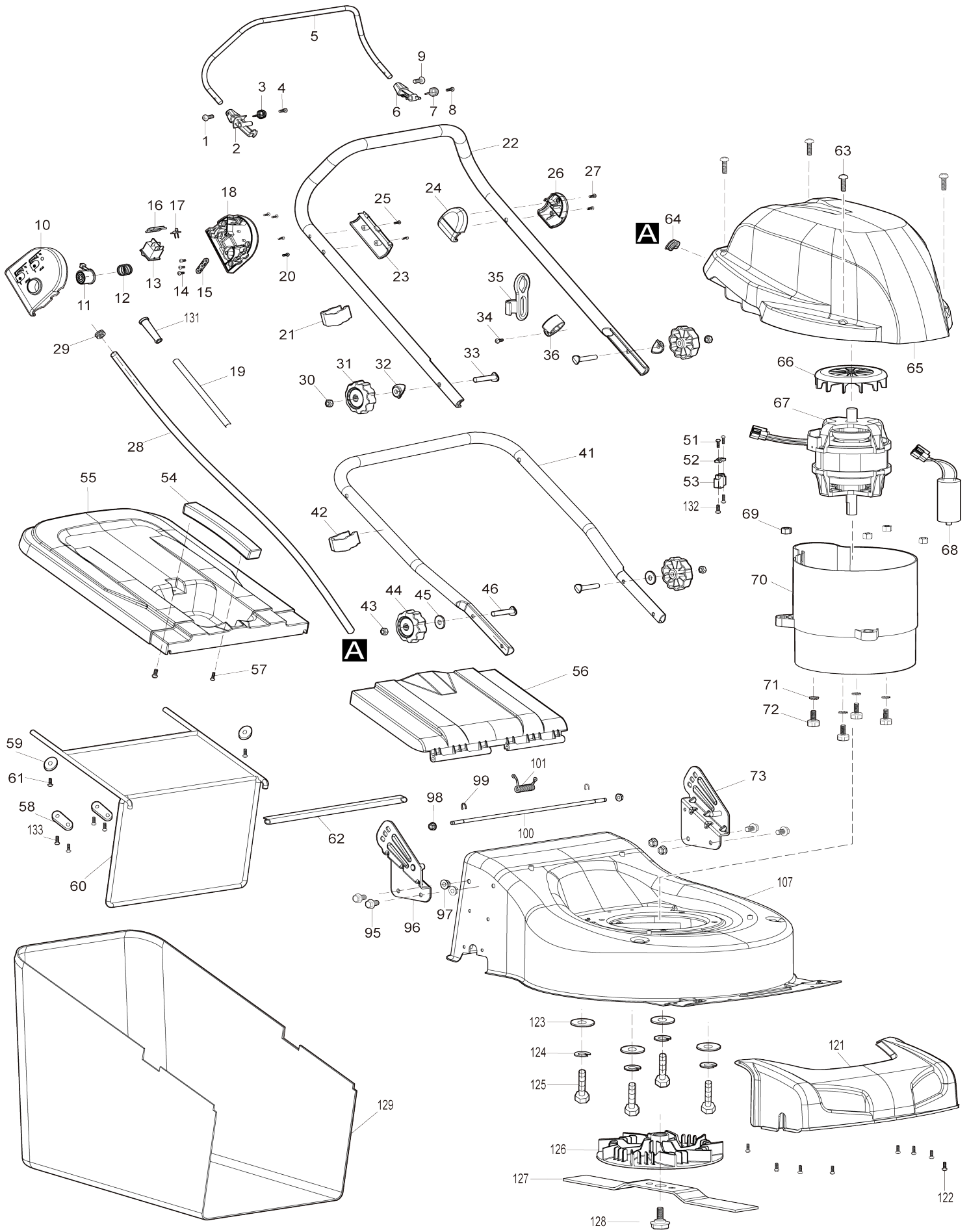
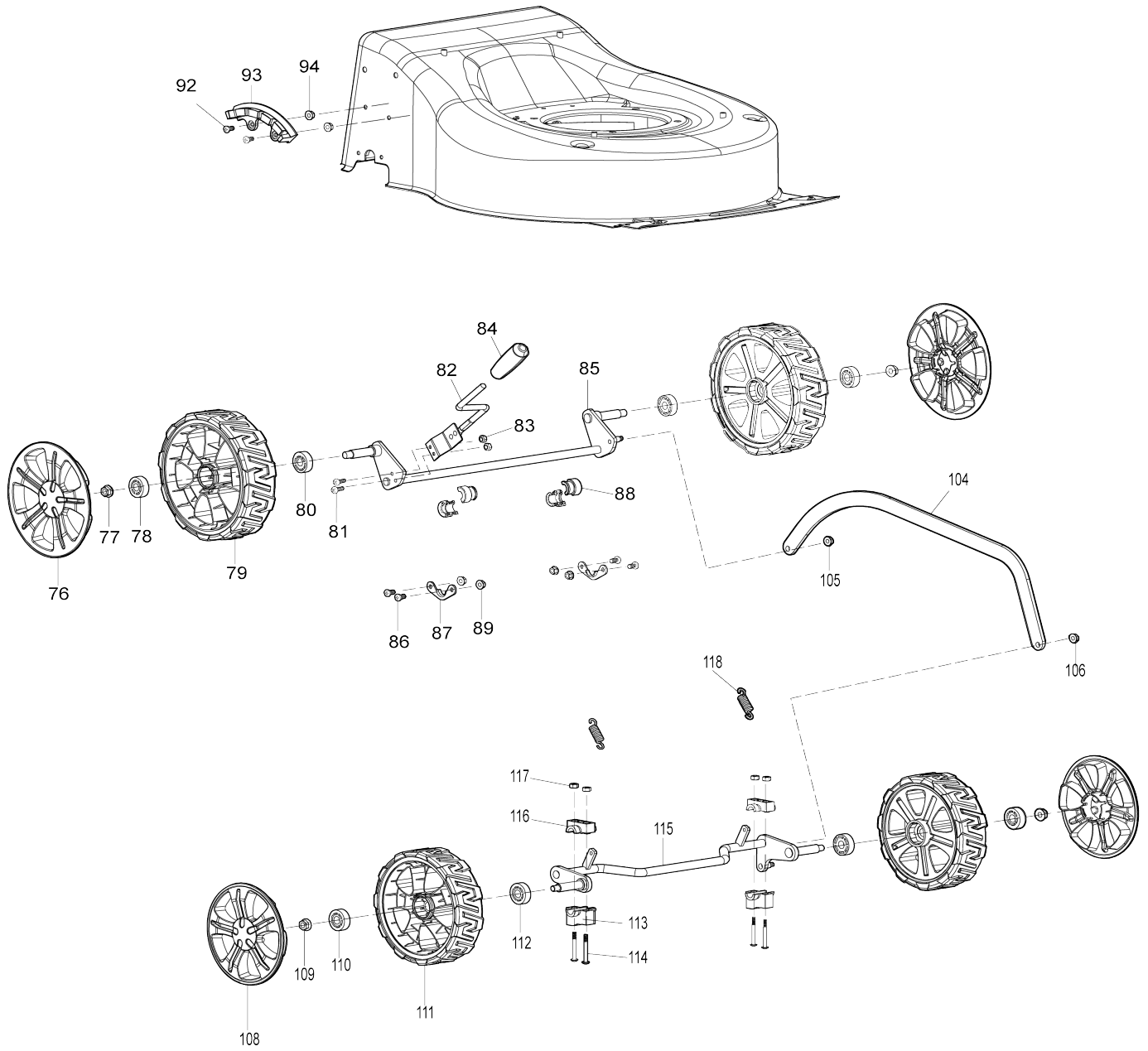


# Model No.EM41 ELECTRIC LAWN MOWER



# Model No.EM41 ELECTRIC LAWN MOWER



Model No.EM41 ELECTRIC LAWN MOWER

Item No.	Parts No.	Description	Interchangability	Q'ty	New/Old	Note1	Note2
001	671002033	PAN.HEAD SCREW M4X8		1			
002	DA00001023	SWITCH LEVER END CAP RIGHT		1			
003	671011124	TENSION SPRING		1			
004	DA00000816	TAPPING SCREW ST3X10		1			
005	671001622	SWITCH LEVER		1			
006	671279005	SWITCH LEVER END CAP LEFT		1			
007	671011124	TENSION SPRING		1			
008	DA00000816	TAPPING SCREW ST3X10		1			
009	671002033	PAN.HEAD SCREW M4X8		1			
010	671635001	SWITCH BOX RIGHT		1			
011	671425002	SWITCH LINK BUTTON		1			
012	671011079	COMPRESSION SPRING		1			
013	671010040	SWITCH		1			
014	DA00000826	SELF-TAPPING SCREW ST4X12		2			
015	671263001	CORD CLAMP		1			
016	DA00000842	INDICATOR LENZ		1			
017	DA00000813	POWER SUPPLY INDICATOR LED		1			
018	671635002	SWITCH BOX LEFT		1			
019	671010570	POWER SUPPLY CORD		1			
020	DA00000603	TAPPING SCREW ST4X16		4			
021	671611001	CABLE CLIP		1			
022	671001616	UPPER HANDLE BAR		1			
023	671451001	PRESSING PLATE OF SWITCH BOX		1			
024	671570020	SWITCH LEVER BOX RIGHT		1			
025	DA00000603	TAPPING SCREW ST4X16		2			
026	671570010	SWITCH LEVER BOX LEFT		1			
027	DA00000603	TAPPING SCREW ST4X16		2			
028	DA00000841	POWER SUPPLY CORD 1.0-2		1			
029	DA00000818	GROMMET		1			
030	DA00000563	HEXAGON NUT M8		2			
031	DA00000564	KNOB		2			
032	DA00000924	PLASTIC SADDLE WASHER 8		2			
033	DA00000569	SADDLE HEAD BOLT M8X58		2			
034	DA00000826	SELF-TAPPING SCREW ST4X12		1			
035	671479001	POWER SUPPLY CORD HANGER		1			
036	671800102	CORD HANGER STOPPER RING		1			
041	671016170	LOWER HANDLE BAR		1			
042	671611001	CABLE CLIP		1			
043	DA00000563	HEXAGON NUT M8		2			
044	DA00000564	KNOB		2			
045	671007007	FLAT WASHER 8		2			
046	DA00000880	SADDLE HEAD BOLT M8X35		2			
051	DA00000826	SELF-TAPPING SCREW ST4X12		2			
052	671010230	CORD CLAMP		1			
053	671260001	CORD CLAMP BRACKET		1			
054	671454001	GRASS CATCHER HANDLE		1			
055	671455001	GRASS CATCHER COVER		1			

056	671456001	REAR FLAP		1		
057	DA00000326	TAPPING SCREW ST5X16		2		
058	DA00000335	RETAINER PLATE		2		
059	DA00000025	WASHER 5		2		
060	671001435	GRASS CATCHER FRAME		1		
061	DA00000888	TAPPING SCREW ST5X12		2		
062	671014170	GRASS CATCHER FRAME SHEATH		1		
063	DA00000912	PAN.HED SCREW M5X14		4		
064	DA00000810	GROMMET		1		
065	671490010	MOTOR COVER		1		
066	DA00001026	MOTOR COOLING FAN		1		
067	671002016	MOTOR		1		
068	DA00001197	CAPACITOR ASSY		1		
069	DA00000563	HEXAGON NUT M8		4		
070	671290013	WIND TUBE		1		
071	671080100	TOOTHED LOCK SPRING WASHER 8		4		
072	DA00000835	SQ.BOLT M8X20 WITH PLASTIC CAP		4		
073	671001212	LEFT HANDLE BRACKET RED		1		
076	DA00000536	WHEEL COVER 7 INCH		2		
077	DA00000537	HEX.FLANGE LOCK NUT M8		2		
078	DA00000538	BALL BEARING 6201ZZ		2		
079	DA00000539	REAR WHEEL ASSY		2		
080	DA00000538	BALL BEARING 6201ZZ		2		
081	DA00000912	PAN.HED SCREW M5X14		2		
082	671001430	HEIGHT ADJUSTMENT LEVER ASSY		1		
083	671005011	NYLON INSERT HEX.LOCK NUT M5		2		
084	DA00001058	HEIGHT ADJUSTMENT KNOB		1		
085	671001423	REAR AXLE		1		
086	671002019	TRUSS HEAD SCREW M6X12		4		
087	DA00000542	AXLE RETAINER		2		
088	DA00001025	REAR AXLE MOUNT		4		
089	DA00000543	HEX.FLANGE LOCK NUT M6		4		
092	671002019	TRUSS HEAD SCREW M6X12		2		
093	671001018	HEIGHT ADJUSTER STOP PLATE		1		
094	DA00000543	HEX.FLANGE LOCK NUT M6		2		
095	DA00000562	HEX.FLANGE BOLT M8X16		4		
096	671001213	RIGHT HANDLE BRACKET RED		1		
097	DA00000537	HEX.FLANGE LOCK NUT M8		4		
098	DA00000543	HEX.FLANGE LOCK NUT M6		2		
099	671009017	STOP RING E-6		2		
100	671001498	REAR FLAP HINGE ROD		1		
101	671011101	REAR FLAP TORSION SPRING		1		
104	671001429	LINK ROD		1		
105	DA00000549	NYLON INSERT HEX.LOCK NUT M6		1		
106	DA00000549	NYLON INSERT HEX.LOCK NUT M6		1		
107	671001211	DECK RED		1		
108	671001176	WHEEL COVER 6.5 INCH		2		

109	DA00000537	HEX.FLANGE LOCK NUT M8	2		
110	DA00000538	BALL BEARING 6201ZZ	2		
111	671002012	FRONT WHEEL ASSY	2		
112	DA00000538	BALL BEARING 6201ZZ	2		
113	671418001	FRONT AXLE MOUNT	2		
114	671002028	PAN.HED SCREW M6X45	4		
115	671001428	FRONT AXLE	1		
116	671445001	FRONT AXLE RETAINER	2		
117	DA00000549	NYLON INSERT HEX.LOCK NUT M6	4		
118	671011125	HEIGHT ADJUST TENSION SPRING	2		
121	DA00000983	FRONT DECORATIVE COVER	1		
122	DA00000911	TAPPING SCREW ST4.2X10	8		
123	671007007	FLAT WASHER 8	4		
124	DA00000832	SPRING WASHER 8	4		
125	671006017	HEX.BOLT M8X30	4		
126	671005258	BLADE PLATE ASSYEMBLY	1		
127	671001427	BLADE	1		
128	DA00000827	HEX.BOLT FOR BLADE	1		
129	DA00000965	GRASS CATCHER(DOLMAR LOGO)	1		
131	671803001	CORD GUARD	1		
132	DA00000826	SELF-TAPPING SCREW ST4X12	2		
133	DA00000888	TAPPING SCREW ST5X12	4		
A01	671002009	SINGLE END BOX WRENCH 22	1		

Please state Parts No. when your order.

Print Date 10/26/2023