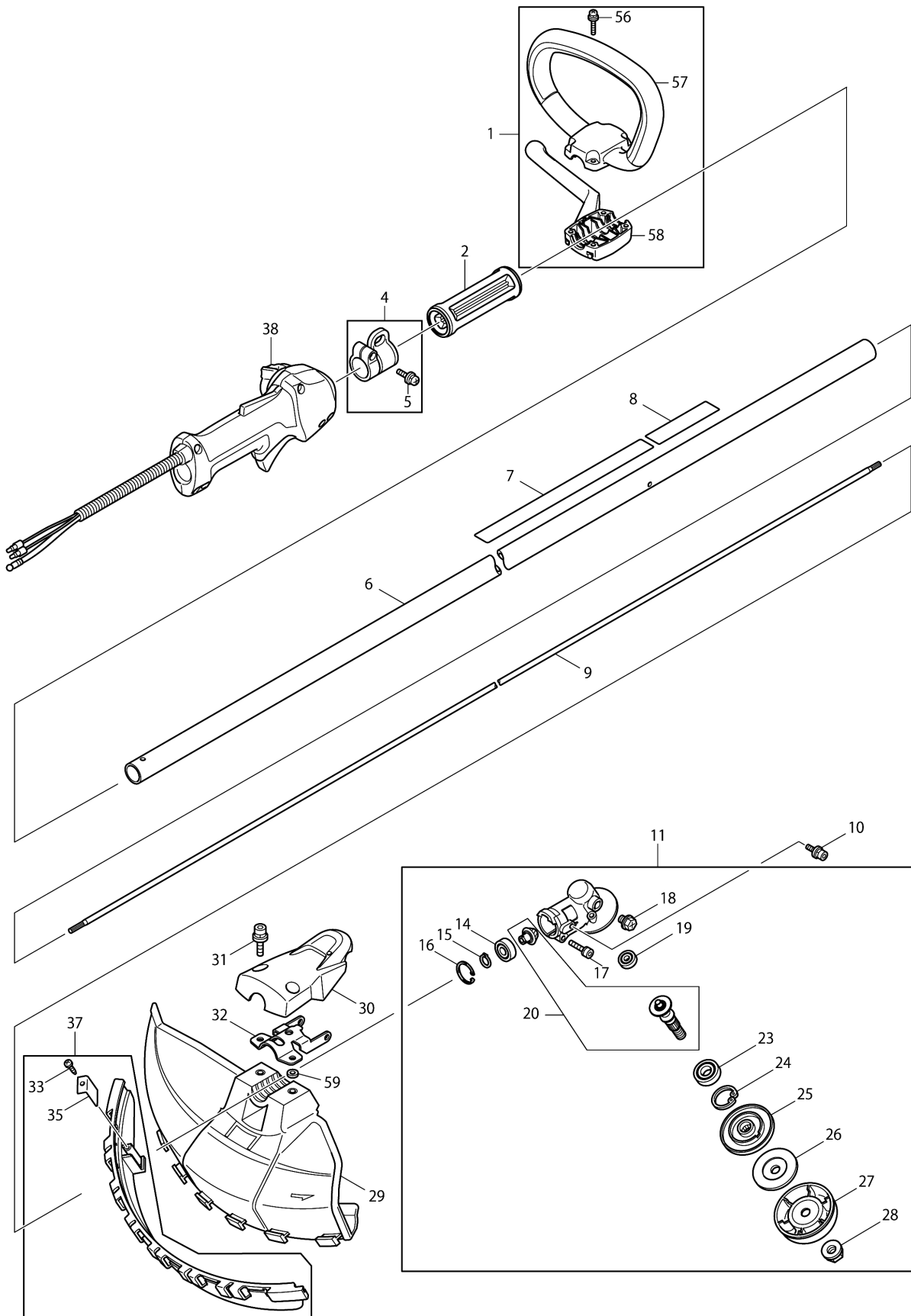
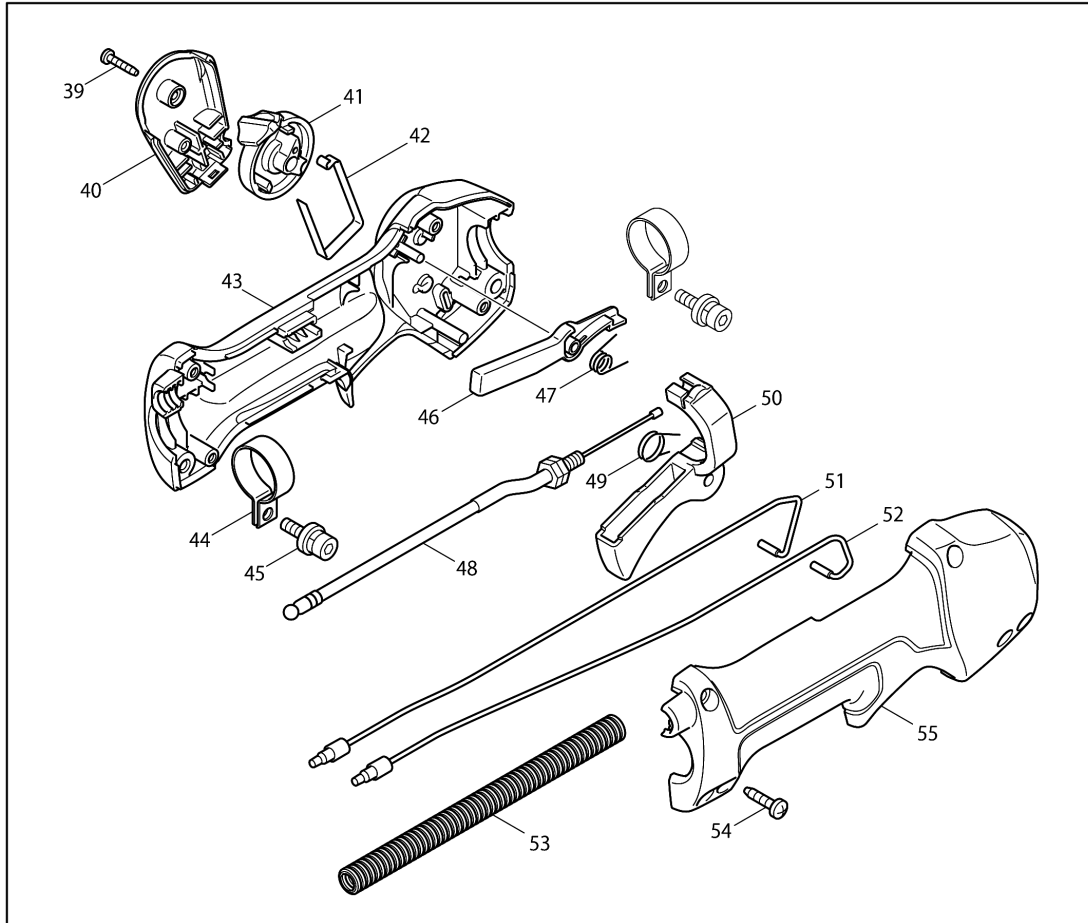


Model No.EM2650LH PETROL BRUSH CUTTER

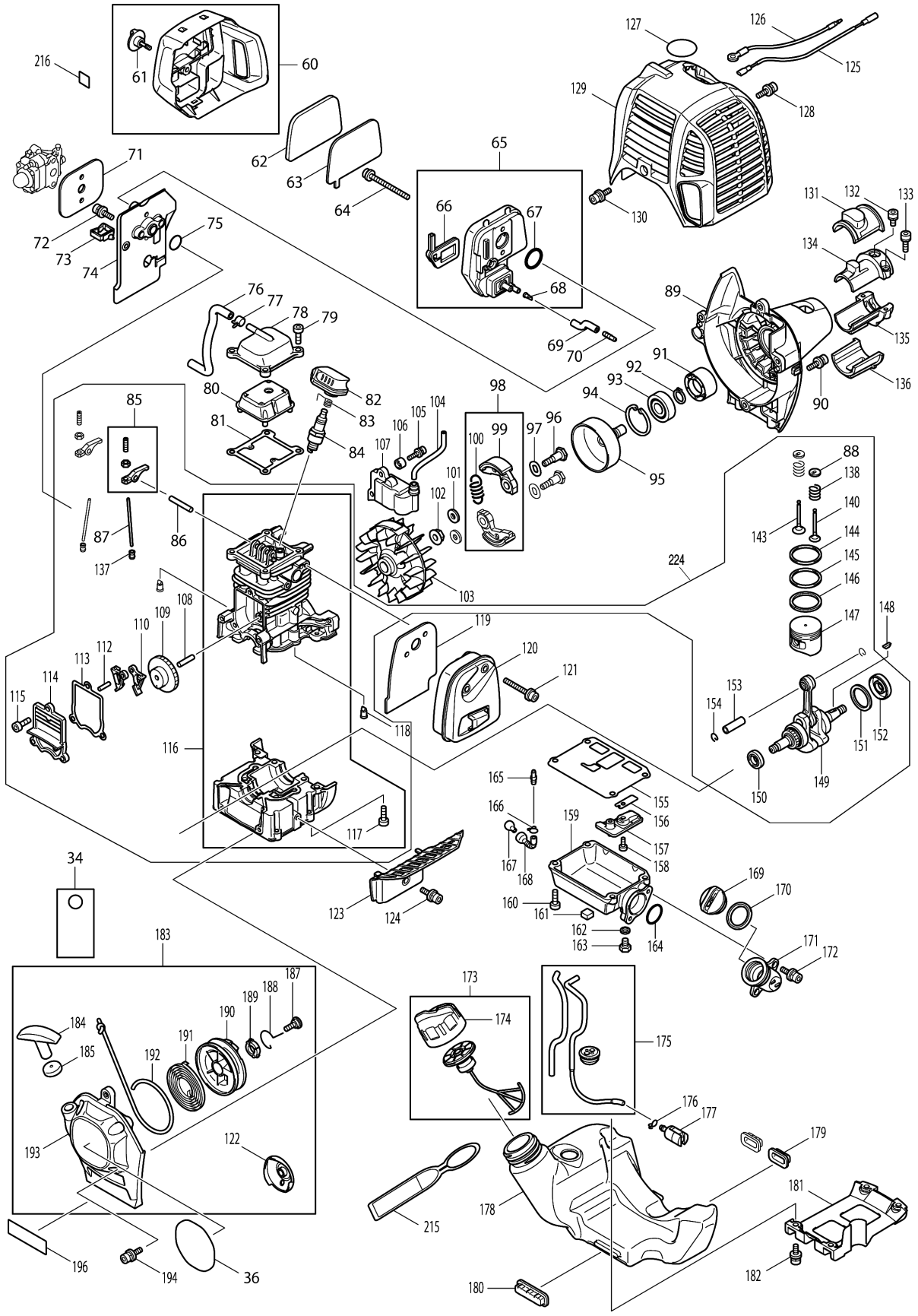


Model No.EM2650LH PETROL BRUSH CUTTER



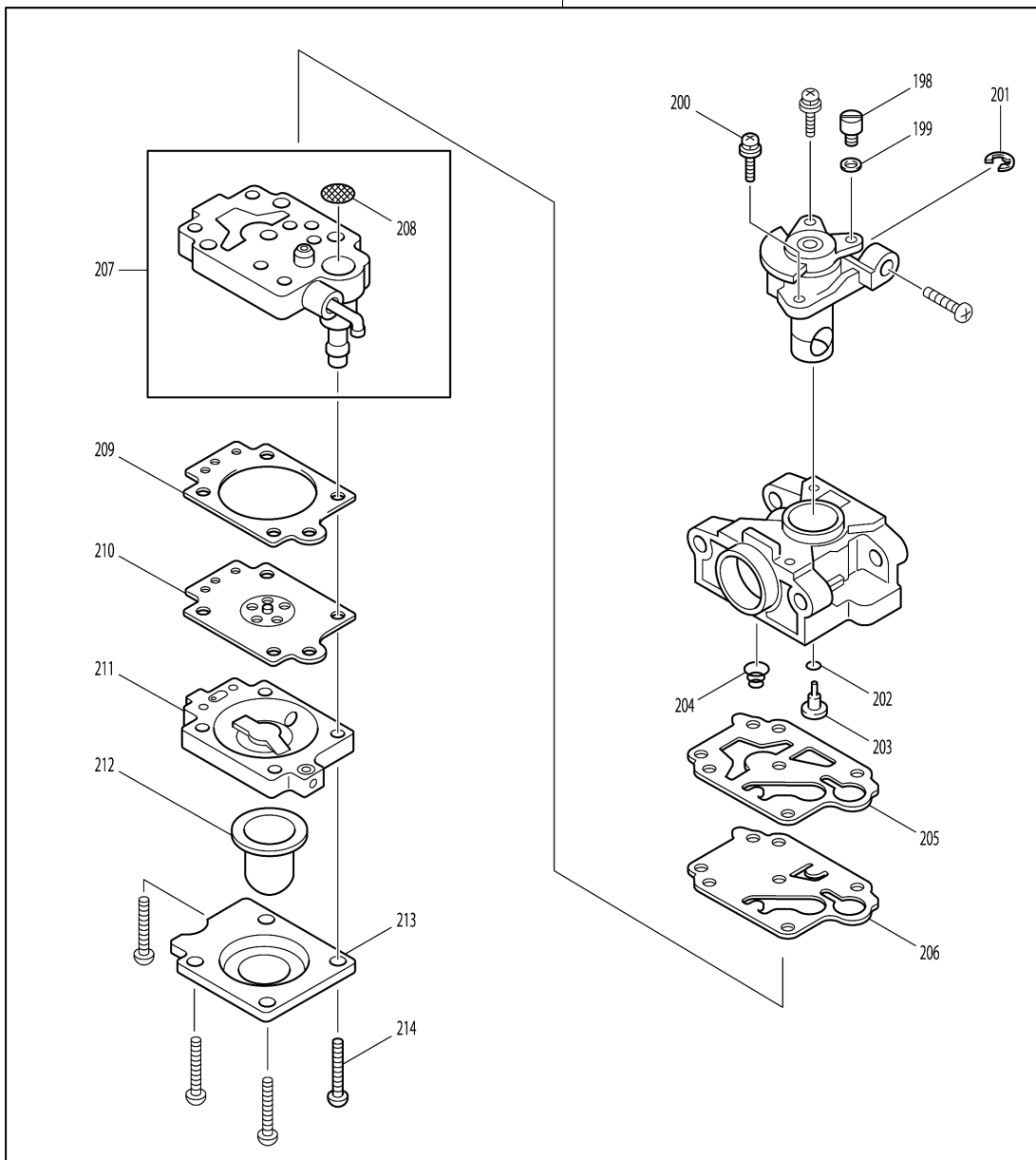
38

Model No.EM2650LH PETROL BRUSH CUTTER



Model No.EM2650LH PETROL BRUSH CUTTER

197



Model No.EM2650LH PETROL BRUSH CUTTER

Item	Parts No.	Description	I/C	Qty	New/Old	Opt. 1	Opt. 2	Note
001	195215-3	LOOP HANDLE SET		1				
C10	783014-1	+ SCREW DRIVER 2		1				
D10		INC. 56-58						
002	451601-1	SPACER 24		1				
004	195143-2	HANGER SET		1				
D10		INC. 5						
005	911233-1	PAN HEAD SCREW M5X20		1				
006	140431-2	SHAFT PIPE COMPLETE		1				
007	891187-7	CAUTION LABEL		1	*			
007-1	813B56-4	CAUTION LABEL	X	1				
008	819312-8	MAKITA LOGO LABEL		1				
009	324893-4	SHAFT		1	*			
009-1	327056-1	SHAFT	O	1				
010	922218-2	H.S.H.BOLT M5X14 WITH WR		2	*			
010-1	922206-9	HEX. SOCKET HEAD BOLT M5X10	>	2				
011	125556-3	GEAR CASE ASSEMBLY		1	*			
D10		INC. 14-20,23-28			*			
011-1	123833-7	GEAR CASE ASSEMBLY	S	1	*			
D10		INC. 14-16,18-20,23-28			*			
011-2	123833-7	GEAR CASE ASSEMBLY	O	1				
D10		INC. 14-16,18-20,23-28						
014	210049-4	BALL BEARING 609ZZ		1	*			
014-1	210157-1	BALL BEARING 609ZZ	O	1				
015	961005-4	RETAINING RING S-9		1	*			
015-1	257986-1	RETAINING RING (EXT) S-9	O	1				
016	962103-7	RETAINING RING R-24		1	*			
016-1	257987-9	RETAINING RING (INT)R-24	O	1				
017	922241-7	HEX. SOCKET HEAD BOLT M5X25		1				
018	265590-2	+HEX.BOLT M8X10 WITH R		1				
019	211019-6	BALL BEARING 626		1	*			
020	188866-9	CUTTER SHAFT SET		1	*			
020-1	188902-1	CUTTER SHAFT SET	S	1	*			
020-2	183A00-2	CUTTER SHAFT SET	O	1	*			
020-3	183K10-9	CUTTER SHAFT SET	O	1				
023	210115-7	BALL BEARING 6001LLU		1				
024	962106-1	RETAINING RING R-28		1	*			
024-1	257407-3	RETAINING RING (INT)R-28	O	1				
025	331861-0	RECEIVE WASHER		1	*			
025-1	326821-5	RECEIVE WASHER	O	1				
026	346084-7	CLAMP WASHER		1				
027	168526-9	CUP		1				
028	264025-0	HEX. NUT M10-17		1				
029	452260-4	PROTECTOR		1				
030	451097-6	PROTECTOR COVER		1	*			

Please order the parts with part number.

Print Date 4/3/2024

Model No.EM2650LH PETROL BRUSH CUTTER

Item	Parts No.	Description	I/C	Qty	New/Old	Opt. 1	Opt. 2	Note
031	266579-3	HEX SOCKET HEAD BOLT M6X30		2	*			
031-1	266280-0	HEX. SOCKET HEAD BOLT M6X25	>	2				
032	346073-2	PROTECTOR CLAMP		1	*			
032-1	347012-5	PROTECTOR CLAMP 24	S	1				
033	266326-2	TAPPING SCREW 4X18		1				
034	819430-2	CAUTION TAG		1				
035	346074-0	CUTTER		1	*			
035-1	347050-7	CUTTER	O	1				
036	819766-9	EM2650LH MODEL NO.LABEL		1				
037	135398-7	PROTECTOR EXTENSION ASSY		1				
D10		INC. 33,35						
038	125776-9	CONTROL LEVER ASSEMBLY		1	*			
D10		INC. 39-55			*			
038-1	126488-7	CONTROL LEVER ASSEMBLY	<	1				
D10		INC. 39-55						
039	266130-9	TAPPING SCREW BIND PT 3X16		1				
040	451595-0	SWITCH COVER		1				
041	451594-2	SWITCH LEVER		1				
042	232251-9	LEAF SPRING		1				
043	188832-6	LEVER CASE SET		1				
D10		INC. 55						
044	346248-3	CLAMP 24		2	*			
044-1	346248-3	CLAMP 24	O	2				
045	922218-2	H.S.H.BOLT M5X14 WITH WR		2	*			
045-1	922206-9	HEX. SOCKET HEAD BOLT M5X10	>	2				
046	451593-4	LOCK LEVER		1				
047	233541-3	TORSION SPRING 7		1				
048	168571-4	CONTROL CABLE		1				
049	233540-5	TORSION SPRING 11		1				
050	451592-6	THROTTLE LEVER		1	*			
050-1	455313-8	THROTTLE LEVER	<	1				
051	638714-7	LEAD UNIT		1				
052	638713-9	LEAD UNIT		1				
053	452071-7	CORRUGATE TUBE		1				
054	266326-2	TAPPING SCREW 4X18		4				
055	188832-6	LEVER CASE SET		1				
D10		INC. 43						
056	911253-5	PAN HEAD SCREW M5X30		4				
057	451598-4	LOOP HANDLE 24		1				
058	451599-2	HANDLE CLAMP 24		1				
059	413143-3	WASHER		2				
060	125746-8	CLEANER COVER ASSEMBLY		1	*			
D10		INC. 61			*			

Please order the parts with part number.

Print Date 4/3/2024

Model No.EM2650LH PETROL BRUSH CUTTER

Item	Parts No.	Description	I/C	Qty	New/Old	Opt. 1	Opt. 2	Note
060-1	126202-1	CLEANER COVER ASSEMBLY	S	1	*			
D10		INC. 61			*			
060-2	123499-3	CLEANER COVER ASSEMBLY	S	1				
D10		INC. 61						
061	265791-2	THUMB SCREW M4		1				
062	443141-3	AIR CLEANER ELEMENT		1	*			
062-1	443171-4	AIR CLEANER ELEMENT	S	1	*			
062-2	443171-4	AIR CLEANER ELEMENT	O	1				
063	443140-5	AIR CLEANER ELEMENT		1	*			
063-1	443169-1	AIR CLEANER ELEMENT	S	1				
064	266601-6	HEX. SOCKET HEAD BOLT M5X60		2	*			
064-1	266618-9	H.S.BUTTON HEAD BOLT M5X60	O	2				
065	125833-3	CLEANER PLATE ASSEMBLY		1	*			
D10		INC. 66-68,E01-E03			*			
065-1	126004-5	CLEANER PLATE ASSEMBLY	<	1	*			
C10	162322-7	SEPARATOR STOPPER		1	*			
C20	162325-1	SEPARATOR GASKET		1	*			
C30	352013-0	SEPARATOR NET		1	*			
D10		INC. 66-68,E01-E03			*			
065-2	126198-6	CLEANER PLATE ASSEMBLY	S	1	*			
C10	266007-8	TAPPING SCREW BIND PT 3X10		1	*			
D10		INC. 66-68,E01-E03,219,220			*			
065-3	123501-2	CLEANER PLATE ASSEMBLY	S	1				
C10	266007-8	TAPPING SCREW BIND PT 3X10		1				
D10		INC. 66-68,E01-E03,219,220						
066	162300-7	SEPARATOR PLATE		1	*			
066-1	162324-3	SEPARATOR PLATE	<	1	*			
066-2	162346-3	SEPARATOR PLATE	S	1				
067	213540-1	O RING 15		1				
068	424316-3	CHECK VALVE		1	*			
068-1	424316-3	CHECK VALVE	S	2				
069	422062-2	PIPE		1	*			
069-1	422099-9	PIPE	S	1				
070	325665-0	JOINT PIPE		1				
071	442153-3	CARBURETOR GASKET		1				
072	922228-9	H.S.H.BOLT M5X18 WITH WR		2	*			
072-1	266787-6	H.S.H.BOLT M5X18 WITH WR	<	2				
073	451825-9	CLAMP		1				
074	451729-5	INSULATOR		1				
075	213547-7	O-RING 12		1				
076	422055-9	BREATHER PIPE		1	*			
076-1	422109-2	BREATHER PIPE	<	1				
077	345918-1	HOSE CLAMP		1				
078	318587-1	ROCKER COVER OUTER		1	*			

Please order the parts with part number.

Print Date 4/3/2024

Model No.EM2650LH PETROL BRUSH CUTTER

Item	Parts No.	Description	I/C	Qty	New/Old	Opt. 1	Opt. 2	Note
078-1	318745-9	ROCKER COVER OUTER	<	1				
079	266570-1	HEX. SOCKET HEAD BOLT M5X16		4	*			
079-1	922222-1	HEX. SOCKET HEAD BOLT M5X16	O	4				
080	451728-7	ROCKER COVER INNER		1	*			
080-1	452795-5	ROCKER COVER INNER	<	1	*			
080-2	453860-3	ROCKER COVER INNER	S	1				
081	162304-9	ROCKER COVER GASKET		1				
082	424302-4	PLUG CAP		1				
083	324891-8	PLUG CAP SPRING		1				
084	168534-0	SPARK PLUG		1				
085	125554-7	ROCKER ARM ASSEMBLY		2				
086	256200-2	PIN 5		1				
087	256865-0	ROD 2.5		2				
088	325668-4	SPRING RETAINER		2				
089	451735-0	CLUTCH CASE		1	*			
089-1	143823-4	CLUTCH CASE COMPLETE	<	1				
090	922228-9	H.S.H.BOLT M5X18 WITH WR		3				
091	450569-8	SPACER		1	*			
091-1	450569-8	SPACER	O	1				
092	961052-5	RETAINING RING S-12		1				
093	210111-5	BALL BEARING 6201LLU		1	*			
093-1	210111-5	BALL BEARING 6201LLU	O	1				
094	962151-6	RETAINING RING R-32		1				
095	168609-5	CLUTCH DRUM		1	*			
095-1	168809-7	CLUTCH DRUM COMPLETE	O	1	*			
095-2	161588-6	CLUTCH DRUM COMPLETE	<	1				
096	266457-7	SHOULDER HEX. BOLT M6X25		2	*			
096-1	266864-4	SHOULDER HEX. BOLT M6X25	O	2				
097	267817-6	WASHER 8		2				
098	125518-1	CLUTCH ASSEMBLY		1	*			
D10		INC. 99,100			*			
098-1	126135-0	CLUTCH ASSEMBLY	<	1				
D10		INC. 99,100						
099	168498-8	CLUTCH SHOE		2	*			
099-1	161332-1	CLUTCH SHOE	O	2				
100	231858-8	TENSION SPRING 6		1	*			
100-1	231881-3	TENSION SPRING 7	<	1				
101	267812-6	WASHER 6		2				
102	264039-9	CONED DISK SPRING HEXNUT M8-13		1	*			
102-1	264039-9	CONED DISK SPRING HEXNUT M8-13	<	1				
103	318569-3	FLYWHEEL		1				
104	444021-6	TUBE		1				
105	266602-4	HEX. SOCKET HEAD BOLT M4X20		2				

Please order the parts with part number.

Print Date 4/3/2024

Model No.EM2650LH PETROL BRUSH CUTTER

Item	Parts No.	Description	I/C	Qty	New/Old	Opt. 1	Opt. 2	Note
106	452049-0	SPACER		2				
107	168559-4	IGNITION COIL		1	*			
107-1	161483-0	IGNITION COIL	<	1				
108	268238-5	PIN 5		1				
109	125552-1	CAM GEAR ASSEMBLY		1				
110	313169-4	CAM LIFTER		2				
112	268239-3	PIN 4		1				
113	162274-2	CAM GEAR COVER GASKET		1				
114	318443-5	CAM GEAR COVER		1				
115	266570-1	HEX. SOCKET HEAD BOLT M5X16		3	*			
115-1	922222-1	HEX. SOCKET HEAD BOLT M5X16	O	3				
116	135403-0	CYLINDER BLOCK ASSEMBLY		1	*			
D10		INC. 117			*			
116-1	135478-9	CYLINDER BLOCK ASSEMBLY	<	1	*			
D10		INC. 117			*			
116-2	135478-9	CYLINDER BLOCK ASSEMBLY	<	1				
D10		INC. 88,117,118						
117	266570-1	HEX. SOCKET HEAD BOLT M5X16		6	*			
117-1	922222-1	HEX. SOCKET HEAD BOLT M5X16	O	6				
118	424201-0	CHECK VALVE		2				
119	345916-5	MUFFLER GASKET		1	*			
119-1	346331-6	MUFFLER GASKET	<	1				
120	168554-4	EXHAUST MUFFLER		1				
121	266440-4	HEX SOCKET HEAD BOLT M5X40		2				
122	168483-1	PULLEY		1				
123	451731-8	MUFFLER PLATE		1				
124	922218-2	H.S.H.BOLT M5X14 WITH WR		1	*			
124-1	922206-9	HEX. SOCKET HEAD BOLT M5X10	>	1				
125	638707-4	LEAD UNIT		1				
126	638708-2	LEAD UNIT		1				
127	808633-3	4STROKE INDICATION LABEL		1	*			
128	922218-2	H.S.H.BOLT M5X14 WITH WR		1	*			
128-1	922206-9	HEX. SOCKET HEAD BOLT M5X10	>	1				
129	451734-2	CYLINDER COVER		1	*			
129-1	453266-5	CYLINDER COVER	S	1				
130	922218-2	H.S.H.BOLT M5X14 WITH WR		1	*			
130-1	922206-9	HEX. SOCKET HEAD BOLT M5X10	>	1				
131	424082-2	BUFFER RUBBER		1				
132	922211-6	H.S.H.BOLT M5X12 WITH W		1				
133	922226-3	HEX. SOCKET HEAD BOLT M5X18		2				
134	318249-1	PIPE HOLDER		1				
135	318250-6	PIPE HOLDER		1				

Please order the parts with part number.

Print Date 4/3/2024

Model No.EM2650LH PETROL BRUSH CUTTER

Item	Parts No.	Description	I/C	Qty	New/Old	Opt. 1	Opt. 2	Note
136	424083-0	BUFFER RUBBER		1				
137	424200-2	SPACER		2				
138	234108-0	COMPRESSION SPRING 9		2				
140	325669-2	EXHAUST VALVE		1	*			
140-1	326366-3	EXHAUST VALVE	O	1				
143	325670-7	INTAKE VALVE		1	*			
143-1	326367-1	INTAKE VALVE	O	1				
144	257298-2	PISTON RING (TOP) 34		1	*			
144-1	195145-8	PISTON RING SET	S	1				
145	257299-0	PISTON RING (SECOND) 34		1	*			
146	257300-1	PISTON RING 34		1	*			
147	318441-9	PISTON		1				
148	254040-2	WOODRUFF KEY 3		1				
149	135406-4	CRANK SHAFT ASSEMBLY		1	*			
149-1	135481-0	CRANK SHAFT ASS'Y	<	1	*			
149-2	126204-7	CRANK SHAFT ASS'Y	S	1	*			
D10		INC. 150-152			*			
149-3	126359-8	CRANK SHAFT ASSEMBLY	O	1	*			
D10		INC. 150-152			*			
149-4	123774-7	CRANK SHAFT ASSEMBLY	<	1				
D10		INC. 150-152						
150	213148-1	OIL SEAL 10		1	*			
150-1	213148-1	OIL SEAL 10	S	1	*			
150-2	213769-9	OIL SEAL 10	<	1				
151	267400-9	FLAT WASHER 23		1	*			
151-1	267400-9	FLAT WASHER 23	S	1				
152	213147-3	OIL SEAL 12		1	*			
152-1	213147-3	OIL SEAL 12	S	1	*			
152-2	213089-1	OIL SEAL 12	<	1				
153	257781-9	PISTON PIN		1				
154	233976-8	CLIP		2				
155	162303-1	OIL CASE GASKET		1	*			
155-1	162323-5	OIL CASE GASKET	S	1	*			
155-2	162345-5	OIL CASE GASKET	S	1				
156	346083-9	LEAD VALVE		1				
157	318590-2	RETAINER PLATE		1	*			
157-1	318910-0	RETAINER PLATE	S	1				
158	266569-6	HEX. SOCKET HEAD BOLT M4X10		1	*			
158-1	922112-8	HEX. SOCKET HEAD BOLT M4X10	O	1				
159	318588-9	OIL CASE		1				
160	266570-1	HEX. SOCKET HEAD BOLT M5X16		4	*			
160-1	922222-1	HEX. SOCKET HEAD BOLT M5X16	O	4				
161	424344-8	DAMPER		1				
162	346305-7	GASKET		1				

Please order the parts with part number.

Print Date 4/3/2024

Model No.EM2650LH PETROL BRUSH CUTTER

Item	Parts No.	Description	I/C	Qty	New/Old	Opt. 1	Opt. 2	Note
163	266611-3	HEX BOLT M6X8		1				
164	213548-5	O-RING 20		1				
165	325898-7	JOINT PIPE		1	*			
165-1	325665-0	JOINT PIPE	S	1				
166	282020-8	HOSE CLAMP		1	*			
166-1	282020-8	HOSE CLAMP	O	1				
167	325666-8	OIL WEIGHT		1	*			
167-1	325666-8	OIL WEIGHT	O	1				
168	424301-6	OIL TUBE		1	*			
168-1	125805-8	OIL TUBE ASSEMBLY	S	1				
C10	424301-6	OIL TUBE		1				
D10		INC. 166,167						
169	452047-4	OIL CAP		1				
170	424343-0	GASKET		1				
171	452048-2	OIL PIPE		1				
172	922218-2	H.S.H.BOLT M5X14 WITH WR		2	*			
172-1	922206-9	HEX. SOCKET HEAD BOLT M5X10	>	2				
173	125728-0	FUEL TANK CAP ASSEMBLY		1	*			
D10		INC. 174			*			
173-1	127112-5	FUEL TANK CAP ASSEMBLY	O	1				
D10		INC. 174						
174	451739-2	FUEL TANK CAP		1				
175	168555-2	TUBE COMPLETE		1	*			
175-1	168755-4	TUBE COMPLETE	<	1				
176	282020-8	HOSE CLAMP		1				
177	163518-3	GASOLINE FILTER		1				
178	451736-8	FUEL TANK		1				
179	424080-6	BUFFER RUBBER		2				
180	424081-4	BUFFER RUBBER		1				
181	451737-6	TANK GUARD		1				
182	922218-2	H.S.H.BOLT M5X14 WITH WR		4	*			
182-1	922206-9	HEX. SOCKET HEAD BOLT M5X10	>	4				
183	125752-3	RECOIL STARTER ASSEMBLY		1	*			
D10		INC. 122,184,185,187-193			*			
183-1	195308-6	RECOIL STARTER SET	<	1				
D10		INC. 122,184,185,187-193						
184	424319-7	STARTER KNOB		1				
185	424359-5	DAMPER		1				
187	266585-8	TAPPING SCREW 5X12		1				
188	325923-4	SWING ARM		1				
189	451938-6	COLLAR		1				
190	451937-8	REEL		1				
191	232258-5	SPIRAL SPRING		1				
192	444023-2	STARTER ROPE		1				

Please order the parts with part number.

Print Date 4/3/2024

Model No.EM2650LH PETROL BRUSH CUTTER

Item	Parts No.	Description	I/C	Qty	New/Old	Opt. 1	Opt. 2	Note
193	451733-4	STARTER CASE		1				
194	922223-9	H.S.H.BOLT M5X16 WITH WR		4				
196	816565-0	MAKITA LOGO LABEL		1				
197	168591-8	CARBURETOR		1	*			
D10		INC. 198-207,209-214			*			
197-1	168762-7	CARBURETOR	<	1				
D10		INC. 198-207,209-214						
198	325922-6	SWIVEL		1				
199	413140-9	WASHER		1				
200	266581-6	PAN HEAD SCREW M3X8 WITH W		2	*			
200-1	WJ00096364	SCREW M3X8 WITH WASHER	O	2				
201	257964-1	STOP RING E-3		1				
202	213538-8	O RING 2		1				
203	325985-2	JET		1				
204	234183-6	CONICAL COMPRESSION SPRING 5-9		1				
205	442155-9	PUMP GASKET		1				
206	168575-6	PUMP DIAPHRAGM		1	*			
206-1	WJ00009599	PUMP DIAPHRAGM	O	1				
207	140437-0	PUMP BODY		1	*			
207-1	141737-1	PUMP BODY	X	1				
208	352010-6	INLET SCREEN		1	*			
208-1	352021-1	INLET SCREEN	X	1				
209	442154-1	METERING DIAPHRAGM GASKET		1				
210	168620-7	METERING DIAPHRAGM		1				
211	140438-8	AIR PURGE BODY		1				
212	424314-7	PRIMER PUMP		1				
213	346270-0	PRIMER PUMP COVER		1				
214	266582-4	TAPPING SCREW 3X24		4				
215	810455-9	CAUTION PLATE		1				
216	891985-9	INDICATION LABEL		1	*			
216-1	800F73-7	INDICATION LABEL	O	1				
217	941152-7	FLAT WASHER 6		1				
218	443170-6	FELT		1				
219	352020-3	SEPARATOR MESH	S	1				
220	453865-3	SEPARATOR CASE	S	1				
221	453862-9	OIL CASE PLATE	S	1				
222	808723-2	CAUTION LABEL		1				
223	801D19-4	SERIAL NO. LABEL	<	1				
224	135599-7	SHORT BLOCK ASS'Y 25.4CC		1	*			
D10		INC. 85-88,108-110,112-118,137			*			
D20		INC. 138,140,143-147,149-154			*			
224-1	135668-4	SHORT BLOCK ASS'Y 25.4CC	O	1				
D10		INC. 85-88,108-110,112-118,137						

Please order the parts with part number.

Print Date 4/3/2024

Model No.EM2650LH PETROL BRUSH CUTTER

Item	Parts No.	Description	I/C	Qty	New/Old	Opt. 1	Opt. 2	Note
D20		INC. 138,140,143-147,149-154						
A01	125516-5	BAND ASSEMBLY		1				
A02	242072-1	OIL BOTTLE		1	*			
A03	783013-3	BOX DRIVER 16-17		1				
A04	783217-7	HEX. WRENCH 5		1	*			
A04-1	783232-1	HEX. WRENCH 5	O	1	*			
A04-2	783217-7	HEX. WRENCH 5	O	1				
A05	783223-2	HEX. WRENCH 4		1	*			
A05-1	783202-0	HEX. WRENCH 4	O	1				
A06	831304-7	ACCESSORY BAG		1				
A07	B-05125	ULTRA AUTO 4 M BRAND MHI		1				
A10	195500-4	OIL SET		1	*			
A10-1	197007-6	OIL SET	O	1	*			
A10-2	191A18-9	OIL SET	O	1	*			
A10-3	197007-6	OIL SET	O	1				
E01	266427-6	TAPPING SCREW 4X12		1				
E02	452219-1	CHOKE PLATE		1				
E03	452220-6	CHOKE LEVER		1				
E05	801P53-6	GAS EMISSION APPROVAL LABEL		1	*			
E05-1	809L93-4	GAS EMISSION APPROVAL LABEL	<	1	*			

Please order the parts with part number.

Print Date 4/3/2024