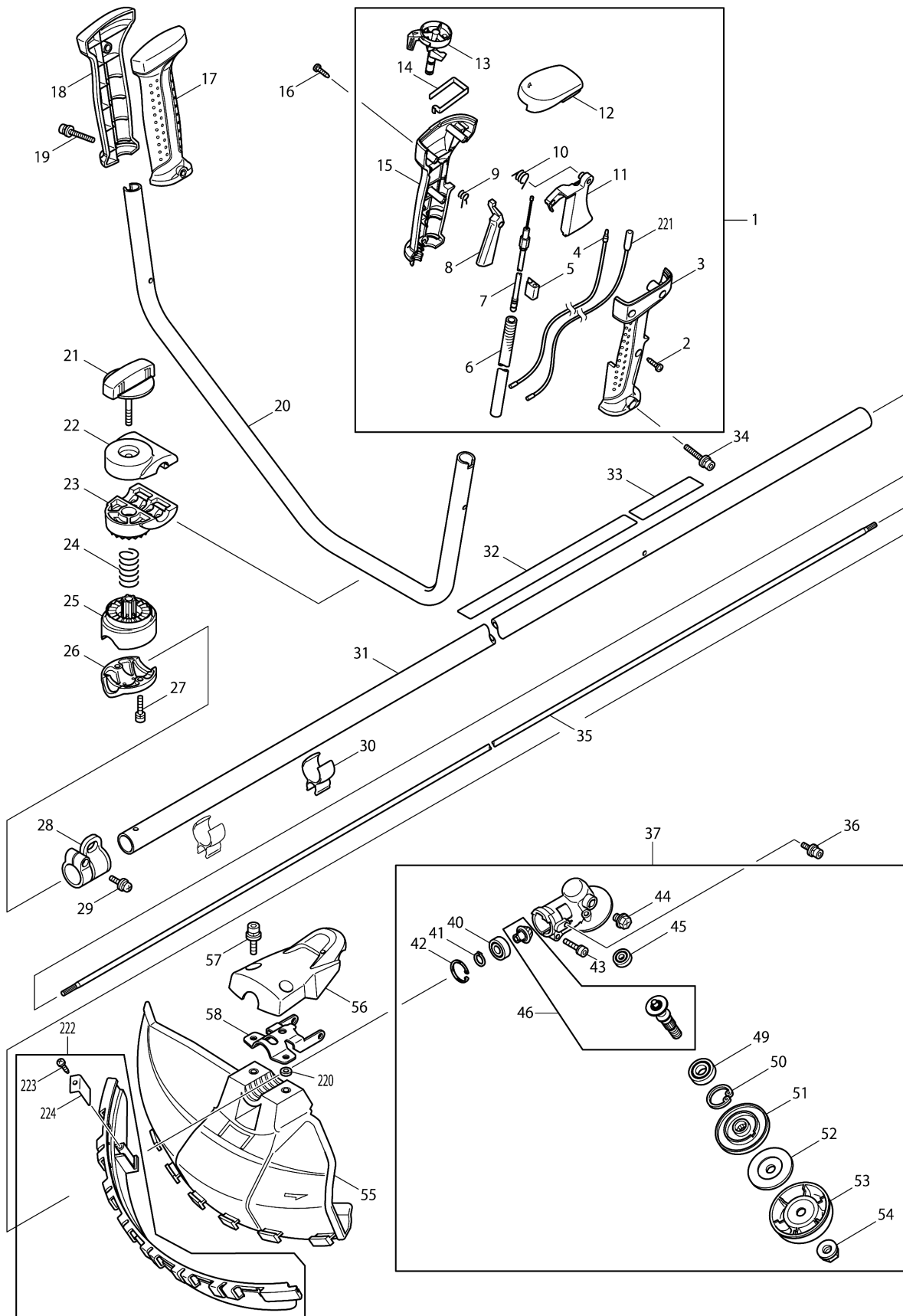
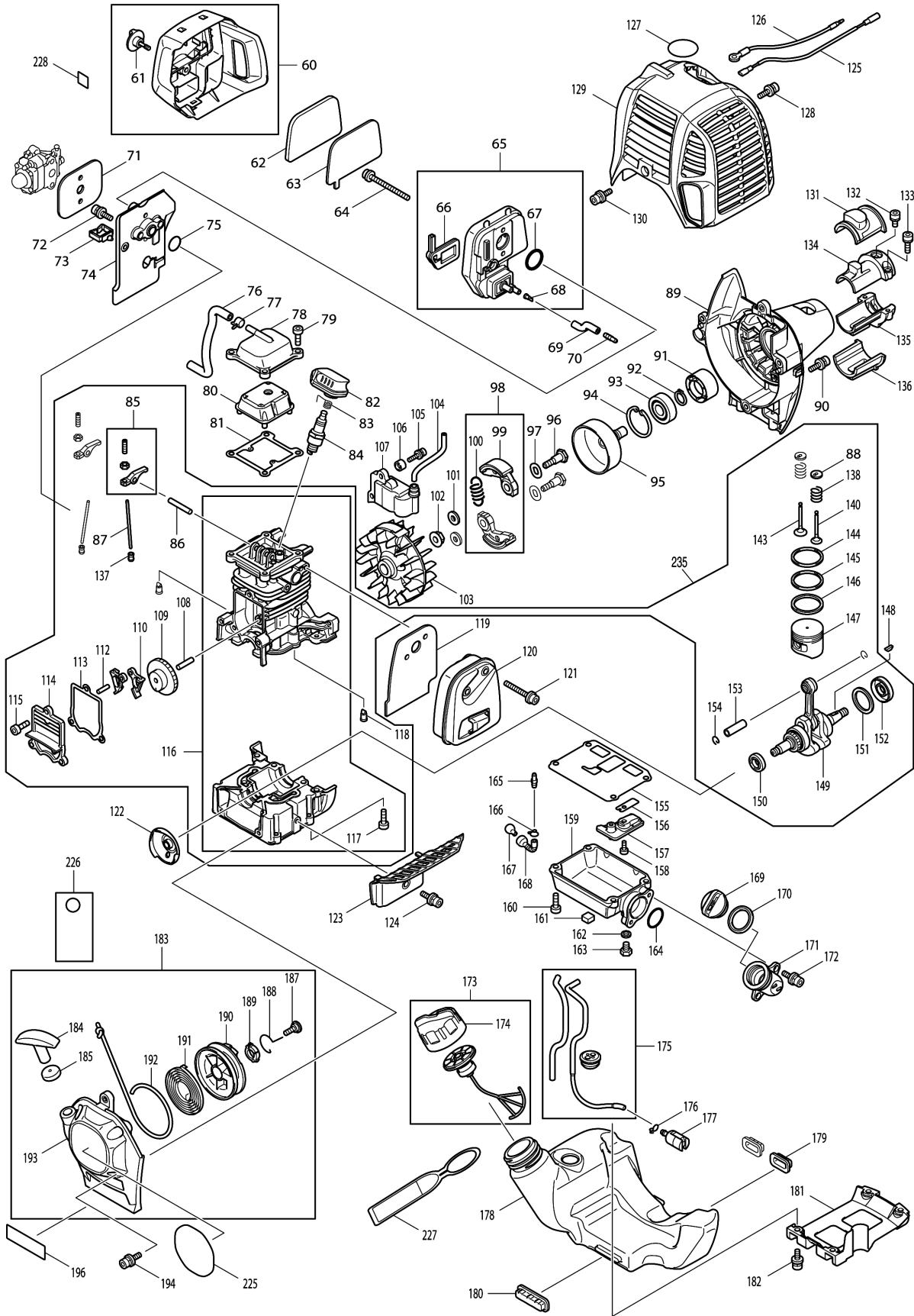


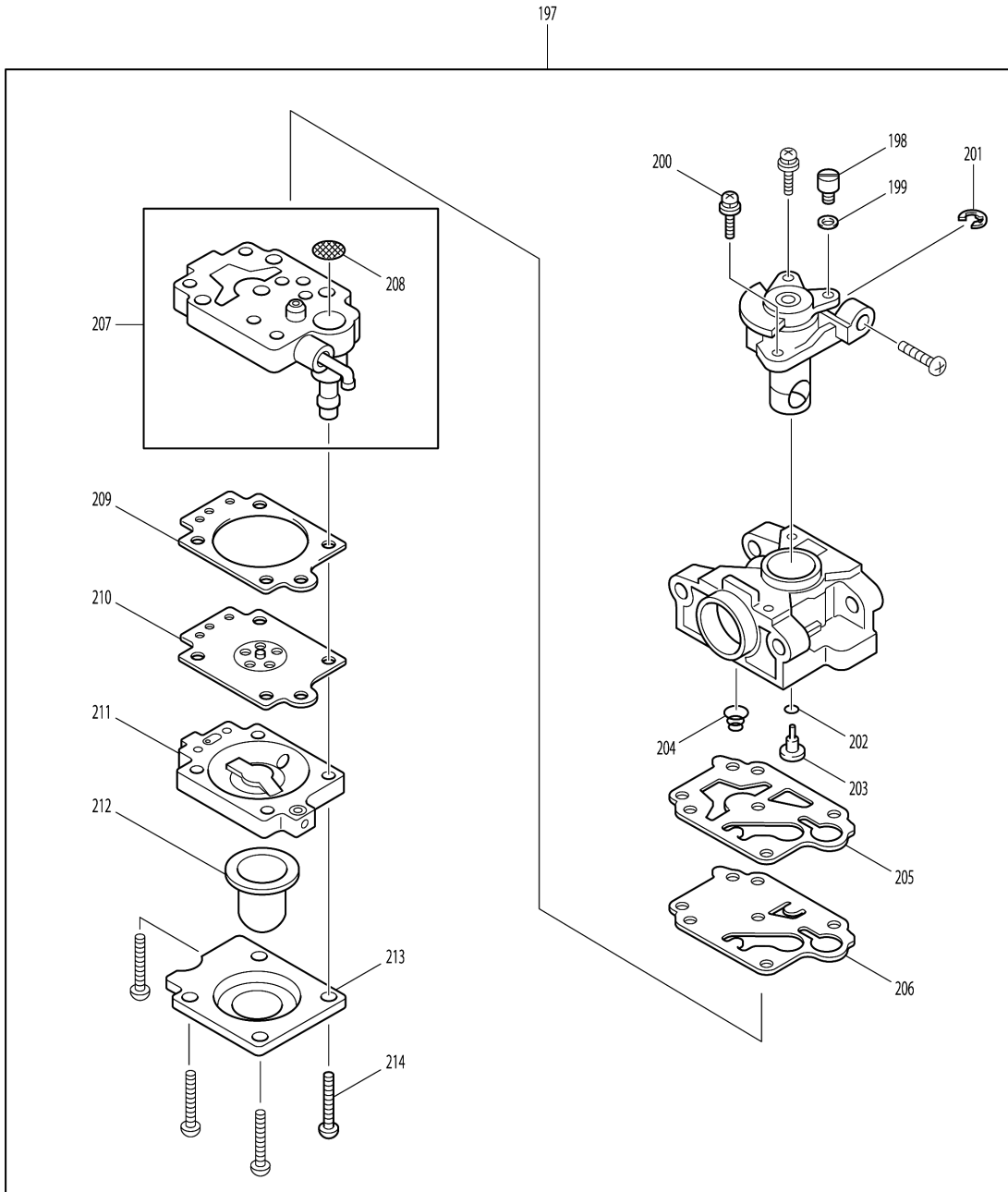
Model No.EM2650UH PETROL BRUSH CUTTER



Model No.EM2650UH PETROL BRUSH CUTTER



Model No.EM2650UH PETROL BRUSH CUTTER



Model No.EM2650UH PETROL BRUSH CUTTER

Item	Parts No.	Description	I/C	Qty	New/Old	Opt. 1	Opt. 2	Note
001	125775-1	CONTROL LEVER ASSEMBLY		1				
D10		INC. 2-15,221						
002	266326-2	TAPPING SCREW 4X18		3				
003	188656-0	LEVER CASE SET		1	*			
D10		INC. 15			*			
003-1	183A10-9	LEVER CASE SET	S	1				
D10		INC. 15						
004	638705-8	LEAD UNIT		1				
005	451081-1	CABLE HOLDER		1				
006	452005-0	CORRUGATE TUBE		1				
007	168570-6	CONTROL CABLE		1				
008	451083-7	LOCK OFF LEVER		1				
009	233541-3	TORSION SPRING 7		1				
010	233540-5	TORSION SPRING 11		1				
011	451084-5	THROTTLE LEVER		1				
012	451085-3	SWITCH COVER		1	*			
012-1	455722-1	SWITCH COVER	S	1				
013	451082-9	SWITCH LEVER		1				
014	232251-9	LEAF SPRING		1				
015	188656-0	LEVER CASE SET		1	*			
D10		INC. 3			*			
015-1	183A10-9	LEVER CASE SET	S	1				
D10		INC. 3						
016	266326-2	TAPPING SCREW 4X18		1				
017	188659-4	GRIP SET		1				
D10		INC. 18						
018	188659-4	GRIP SET		1				
D10		INC. 17						
019	911256-9	PAN HEAD SCREW M5X35		1				
020	331862-8	HANDLE 19		1				
021	168524-3	KNOB 57		1	*			
021-1	168796-0	KNOB 57	<	1				
022	318429-9	HANDLE CLAMP		1				
023	318428-1	HANDLE HOLDER		1				
024	233202-5	COMPRESSION SPRING 20		1				
025	318427-3	PIPE HOLDER		1				
026	318426-5	PIPE CLAMP		1				
027	922241-7	HEX. SOCKET HEAD BOLT M5X25		2				
028	195143-2	HANGER SET		1				
D10		INC. 29						
029	911233-1	PAN HEAD SCREW M5X20		1				
030	451526-9	WIRE CLAMP		2				
031	140431-2	SHAFT PIPE COMPLETE		1				
032	891198-2	CAUTION LABEL		1				
033	819312-8	MAKITA LOGO LABEL		1				

Please order the parts with part number.

Print Date 4/3/2024

Model No.EM2650UH PETROL BRUSH CUTTER

Item	Parts No.	Description	I/C	Qty	New/Old	Opt. 1	Opt. 2	Note
034	911256-9	PAN HEAD SCREW M5X35		1				
035	324893-4	SHAFT		1	*			
035-1	327056-1	SHAFT	O	1				
036	922218-2	H.S.H.BOLT M5X14 WITH WR		2	*			
036-1	922206-9	HEX. SOCKET HEAD BOLT M5X10	>	2				
037	125556-3	GEAR CASE ASSEMBLY		1	*			
D10		INC. 40-46,49-54			*			
037-1	123833-7	GEAR CASE ASSEMBLY	S	1	*			
D10		INC. 40-42,44-46,49-54			*			
037-2	123833-7	GEAR CASE ASSEMBLY	O	1				
D10		INC. 40-42,44-46,49-54						
040	210049-4	BALL BEARING 609ZZ		1	*			
040-1	210157-1	BALL BEARING 609ZZ	O	1				
041	961005-4	RETAINING RING S-9		1	*			
041-1	257986-1	RETAINING RING (EXT) S-9	O	1				
042	962103-7	RETAINING RING R-24		1	*			
042-1	257987-9	RETAINING RING (INT)R-24	O	1				
043	922241-7	HEX. SOCKET HEAD BOLT M5X25		1				
044	265590-2	+HEX.BOLT M8X10 WITH R		1				
045	211019-6	BALL BEARING 626		1	*			
046	188866-9	CUTTER SHAFT SET		1	*			
046-1	188902-1	CUTTER SHAFT SET	S	1	*			
046-2	183A00-2	CUTTER SHAFT SET	O	1	*			
046-3	183K10-9	CUTTER SHAFT SET	O	1				
049	210115-7	BALL BEARING 6001LLU		1				
050	962106-1	RETAINING RING R-28		1	*			
050-1	257407-3	RETAINING RING (INT)R-28	O	1				
051	331861-0	RECEIVE WASHER		1	*			
051-1	326821-5	RECEIVE WASHER	O	1				
052	346084-7	CLAMP WASHER		1				
053	168526-9	CUP		1				
054	264025-0	HEX. NUT M10-17		1				
055	452260-4	PROTECTOR		1				
056	451097-6	PROTECTOR COVER		1	*			
057	266579-3	HEX SOCKET HEAD BOLT M6X30		2	*			
057-1	266280-0	HEX. SOCKET HEAD BOLT M6X25	>	2				
058	346073-2	PROTECTOR CLAMP		1	*			
058-1	347012-5	PROTECTOR CLAMP 24	S	1				
060	125746-8	CLEANER COVER ASSEMBLY		1	*			
D10		INC. 61			*			
060-1	126202-1	CLEANER COVER ASSEMBLY	S	1	*			
D10		INC. 61			*			
060-2	123499-3	CLEANER COVER ASSEMBLY	S	1				
D10		INC. 61						

Please order the parts with part number.

Print Date 4/3/2024

Model No.EM2650UH PETROL BRUSH CUTTER

Item	Parts No.	Description	I/C	Qty	New/Old	Opt. 1	Opt. 2	Note
061	265791-2	THUMB SCREW M4		1				
062	443141-3	AIR CLEANER ELEMENT		1	*			
062-1	443171-4	AIR CLEANER ELEMENT	S	1	*			
062-2	443171-4	AIR CLEANER ELEMENT	O	1				
063	443140-5	AIR CLEANER ELEMENT		1	*			
063-1	443169-1	AIR CLEANER ELEMENT	S	1				
064	266601-6	HEX. SOCKET HEAD BOLT M5X60		2	*			
064-1	266618-9	H.S.BUTTON HEAD BOLT M5X60	O	2				
065	125833-3	CLEANER PLATE ASSEMBLY		1	*			
D10		INC. 66-68,E01-E03			*			
065-1	126004-5	CLEANER PLATE ASSEMBLY	<	1	*			
C10	162322-7	SEPARATOR STOPPER		1	*			
C20	162325-1	SEPARATOR GASKET		1	*			
C30	352013-0	SEPARATOR NET		1	*			
D10		INC. 66-68,E01-E03			*			
065-2	126198-6	CLEANER PLATE ASSEMBLY	S	1	*			
C10	266007-8	TAPPING SCREW BIND PT 3X10		1	*			
D10		INC. 66-68,E01-E03,231,232			*			
065-3	123501-2	CLEANER PLATE ASSEMBLY	S	1				
C10	266007-8	TAPPING SCREW BIND PT 3X10		1				
D10		INC. 66-68,E01-E03,231,232						
066	162300-7	SEPARATOR PLATE		1	*			
066-1	162324-3	SEPARATOR PLATE	<	1	*			
066-2	162346-3	SEPARATOR PLATE	S	1				
067	213540-1	O RING 15		1				
068	424316-3	CHECK VALVE		1	*			
068-1	424316-3	CHECK VALVE	S	2				
069	422062-2	PIPE		1	*			
069-1	422099-9	PIPE	S	1				
070	325665-0	JOINT PIPE		1				
071	442153-3	CARBURETOR GASKET		1				
072	922228-9	H.S.H.BOLT M5X18 WITH WR		2	*			
072-1	266787-6	H.S.H.BOLT M5X18 WITH WR	<	2				
073	451825-9	CLAMP		1				
074	451729-5	INSULATOR		1				
075	213547-7	O-RING 12		1				
076	422055-9	BREATHER PIPE		1	*			
076-1	422109-2	BREATHER PIPE	<	1				
077	345918-1	HOSE CLAMP		1				
078	318587-1	ROCKER COVER OUTER		1	*			
078-1	318745-9	ROCKER COVER OUTER	<	1				
079	266570-1	HEX. SOCKET HEAD BOLT M5X16		4	*			
079-1	922222-1	HEX. SOCKET HEAD BOLT M5X16	O	4				

Please order the parts with part number.

Print Date 4/3/2024

Model No.EM2650UH PETROL BRUSH CUTTER

Item	Parts No.	Description	I/C	Qty	New/Old	Opt. 1	Opt. 2	Note
080	451728-7	ROCKER COVER INNER		1	*			
080-1	452795-5	ROCKER COVER INNER	<	1	*			
080-2	453860-3	ROCKER COVER INNER	S	1				
081	162304-9	ROCKER COVER GASKET		1				
082	424302-4	PLUG CAP		1				
083	324891-8	PLUG CAP SPRING		1				
084	168534-0	SPARK PLUG		1				
085	125554-7	ROCKER ARM ASSEMBLY		2				
086	256200-2	PIN 5		1				
087	256865-0	ROD 2.5		2				
088	325668-4	SPRING RETAINER		2				
089	451735-0	CLUTCH CASE		1	*			
089-1	143823-4	CLUTCH CASE COMPLETE	<	1				
090	922228-9	H.S.H.BOLT M5X18 WITH WR		3				
091	450569-8	SPACER		1	*			
091-1	450569-8	SPACER	O	1				
092	961052-5	RETAINING RING S-12		1				
093	210111-5	BALL BEARING 6201LLU		1	*			
093-1	210111-5	BALL BEARING 6201LLU	O	1				
094	962151-6	RETAINING RING R-32		1				
095	168609-5	CLUTCH DRUM		1	*			
095-1	168809-7	CLUTCH DRUM COMPLETE	O	1	*			
095-2	161588-6	CLUTCH DRUM COMPLETE	<	1				
096	266457-7	SHOULDER HEX. BOLT M6X25		2	*			
096-1	266864-4	SHOULDER HEX. BOLT M6X25	O	2				
097	267817-6	WASHER 8		2				
098	125518-1	CLUTCH ASSEMBLY		1	*			
D10		INC. 99,100			*			
098-1	126135-0	CLUTCH ASSEMBLY	<	1				
D10		INC. 99,100						
099	168498-8	CLUTCH SHOE		2	*			
099-1	161332-1	CLUTCH SHOE	O	2				
100	231858-8	TENSION SPRING 6		1	*			
100-1	231881-3	TENSION SPRING 7	<	1				
101	267812-6	WASHER 6		2				
102	264039-9	CONED DISK SPRING HEXNUT M8-13		1	*			
102-1	264039-9	CONED DISK SPRING HEXNUT M8-13	<	1				
103	318569-3	FLYWHEEL		1				
104	444021-6	TUBE		1				
105	266602-4	HEX. SOCKET HEAD BOLT M4X20		2				
106	452049-0	SPACER		2				
107	168559-4	IGNITION COIL		1	*			
107-1	161483-0	IGNITION COIL	<	1				
108	268238-5	PIN 5		1				

Please order the parts with part number.

Print Date 4/3/2024

Model No.EM2650UH PETROL BRUSH CUTTER

Item	Parts No.	Description	I/C	Qty	New/Old	Opt. 1	Opt. 2	Note
109	125552-1	CAM GEAR ASSEMBLY		1				
110	313169-4	CAM LIFTER		2				
112	268239-3	PIN 4		1				
113	162274-2	CAM GEAR COVER GASKET		1				
114	318443-5	CAM GEAR COVER		1				
115	266570-1	HEX. SOCKET HEAD BOLT M5X16		3	*			
115-1	922222-1	HEX. SOCKET HEAD BOLT M5X16	O	3				
116	135403-0	CYLINDER BLOCK ASSEMBLY		1	*			
D10		INC. 117			*			
116-1	135478-9	CYLINDER BLOCK ASSEMBLY	<	1	*			
D10		INC. 117			*			
116-2	135478-9	CYLINDER BLOCK ASSEMBLY	<	1				
D10		INC. 88,117,118						
117	266570-1	HEX. SOCKET HEAD BOLT M5X16		6	*			
117-1	922222-1	HEX. SOCKET HEAD BOLT M5X16	O	6				
118	424201-0	CHECK VALVE		2				
119	345916-5	MUFFLER GASKET		1	*			
119-1	346331-6	MUFFLER GASKET	<	1				
120	168554-4	EXHAUST MUFFLER		1				
121	266440-4	HEX SOCKET HEAD BOLT M5X40		2				
122	168483-1	PULLEY		1				
123	451731-8	MUFFLER PLATE		1				
124	922218-2	H.S.H.BOLT M5X14 WITH WR		1	*			
124-1	922206-9	HEX. SOCKET HEAD BOLT M5X10	>	1				
125	638707-4	LEAD UNIT		1				
126	638708-2	LEAD UNIT		1				
127	808633-3	4STROKE INDICATION LABEL		1	*			
128	922218-2	H.S.H.BOLT M5X14 WITH WR		1	*			
128-1	922206-9	HEX. SOCKET HEAD BOLT M5X10	>	1				
129	451734-2	CYLINDER COVER		1	*			
129-1	453266-5	CYLINDER COVER	S	1				
130	922218-2	H.S.H.BOLT M5X14 WITH WR		1	*			
130-1	922206-9	HEX. SOCKET HEAD BOLT M5X10	>	1				
131	424082-2	BUFFER RUBBER		1				
132	922211-6	H.S.H.BOLT M5X12 WITH W		1				
133	922226-3	HEX. SOCKET HEAD BOLT M5X18		2				
134	318249-1	PIPE HOLDER		1				
135	318250-6	PIPE HOLDER		1				
136	424083-0	BUFFER RUBBER		1				
137	424200-2	SPACER		2				
138	234108-0	COMPRESSION SPRING 9		2				
140	325669-2	EXHAUST VALVE		1	*			

Please order the parts with part number.

Print Date 4/3/2024

Model No.EM2650UH PETROL BRUSH CUTTER

Item	Parts No.	Description	I/C	Qty	New/Old	Opt. 1	Opt. 2	Note
140-1	326366-3	EXHAUST VALVE	O	1				
143	325670-7	INTAKE VALVE		1	*			
143-1	326367-1	INTAKE VALVE	O	1				
144	257298-2	PISTON RING (TOP) 34		1	*			
144-1	195145-8	PISTON RING SET	S	1				
145	257299-0	PISTON RING (SECOND) 34		1	*			
146	257300-1	PISTON RING 34		1	*			
147	318441-9	PISTON		1				
148	254040-2	WOODRUFF KEY 3		1				
149	135406-4	CRANK SHAFT ASSEMBLY		1	*			
149-1	135481-0	CRANK SHAFT ASS'Y	<	1	*			
149-2	126204-7	CRANK SHAFT ASS'Y	S	1	*			
D10		INC. 150-152			*			
149-3	126359-8	CRANK SHAFT ASSEMBLY	O	1	*			
D10		INC. 150-152			*			
149-4	123774-7	CRANK SHAFT ASSEMBLY	<	1				
D10		INC. 150-152						
150	213148-1	OIL SEAL 10		1	*			
150-1	213148-1	OIL SEAL 10	S	1	*			
150-2	213769-9	OIL SEAL 10	<	1				
151	267400-9	FLAT WASHER 23		1	*			
151-1	267400-9	FLAT WASHER 23	S	1				
152	213147-3	OIL SEAL 12		1	*			
152-1	213147-3	OIL SEAL 12	S	1	*			
152-2	213089-1	OIL SEAL 12	<	1				
153	257781-9	PISTON PIN		1				
154	233976-8	CLIP		2				
155	162303-1	OIL CASE GASKET		1	*			
155-1	162323-5	OIL CASE GASKET	S	1	*			
155-2	162345-5	OIL CASE GASKET	S	1				
156	346083-9	LEAD VALVE		1				
157	318590-2	RETAINER PLATE		1	*			
157-1	318910-0	RETAINER PLATE	S	1				
158	266569-6	HEX. SOCKET HEAD BOLT M4X10		1	*			
158-1	922112-8	HEX. SOCKET HEAD BOLT M4X10	O	1				
159	318588-9	OIL CASE		1				
160	266570-1	HEX. SOCKET HEAD BOLT M5X16		4	*			
160-1	922222-1	HEX. SOCKET HEAD BOLT M5X16	O	4				
161	424344-8	DAMPER		1				
162	346305-7	GASKET		1				
163	266611-3	HEX BOLT M6X8		1				
164	213548-5	O-RING 20		1				
165	325898-7	JOINT PIPE		1	*			
165-1	325665-0	JOINT PIPE	S	1				

Please order the parts with part number.

Print Date 4/3/2024

Model No.EM2650UH PETROL BRUSH CUTTER

Item	Parts No.	Description	I/C	Qty	New/Old	Opt. 1	Opt. 2	Note
166	282020-8	HOSE CLAMP		1	*			
166-1	282020-8	HOSE CLAMP	O	1				
167	325666-8	OIL WEIGHT		1	*			
167-1	325666-8	OIL WEIGHT	O	1				
168	424301-6	OIL TUBE		1	*			
168-1	125805-8	OIL TUBE ASSEMBLY	S	1				
C10	424301-6	OIL TUBE		1				
D10		INC. 166,167						
169	452047-4	OIL CAP		1				
170	424343-0	GASKET		1				
171	452048-2	OIL PIPE		1				
172	922218-2	H.S.H.BOLT M5X14 WITH WR		2	*			
172-1	922206-9	HEX. SOCKET HEAD BOLT M5X10	>	2				
173	125728-0	FUEL TANK CAP ASSEMBLY		1	*			
D10		INC. 174			*			
173-1	127112-5	FUEL TANK CAP ASSEMBLY	O	1				
D10		INC. 174						
174	451739-2	FUEL TANK CAP		1				
175	168555-2	TUBE COMPLETE		1	*			
175-1	168755-4	TUBE COMPLETE	<	1				
176	282020-8	HOSE CLAMP		1				
177	163518-3	GASOLINE FILTER		1				
178	451736-8	FUEL TANK		1				
179	424080-6	BUFFER RUBBER		2				
180	424081-4	BUFFER RUBBER		1				
181	451737-6	TANK GUARD		1				
182	922218-2	H.S.H.BOLT M5X14 WITH WR		4	*			
182-1	922206-9	HEX. SOCKET HEAD BOLT M5X10	>	4				
183	195308-6	RECOIL STARTER SET		1				
D10		INC. 122,184,185,187-193						
184	424319-7	STARTER KNOB		1				
185	424359-5	DAMPER		1				
187	266585-8	TAPPING SCREW 5X12		1				
188	325923-4	SWING ARM		1				
189	451938-6	COLLAR		1				
190	451937-8	REEL		1				
191	232258-5	SPIRAL SPRING		1				
192	444023-2	STARTER ROPE		1				
193	451733-4	STARTER CASE		1				
194	922223-9	H.S.H.BOLT M5X16 WITH WR		4				
196	816565-0	MAKITA LOGO LABEL		1				
197	168591-8	CARBURETOR		1	*			
D10		INC. 198-207,209-214			*			
197-1	168762-7	CARBURETOR	<	1				

Please order the parts with part number.

Print Date 4/3/2024

Model No.EM2650UH PETROL BRUSH CUTTER

Item	Parts No.	Description	I/C	Qty	New/Old	Opt. 1	Opt. 2	Note
D10		INC. 198-207,209-214						
198	325922-6	SWIVEL		1				
199	413140-9	WASHER		1				
200	266581-6	PAN HEAD SCREW M3X8 WITH W		2	*			
200-1	WJ00096364	SCREW M3X8 WITH WASHER	O	2				
201	257964-1	STOP RING E-3		1				
202	213538-8	O RING 2		1				
203	325985-2	JET		1				
204	234183-6	CONICAL COMPRESSION SPRING 5-9		1				
205	442155-9	PUMP GASKET		1				
206	168575-6	PUMP DIAPHRAGM		1	*			
206-1	WJ00009599	PUMP DIAPHRAGM	O	1				
207	140437-0	PUMP BODY		1	*			
D10		INC. 208			*			
207-1	141737-1	PUMP BODY	X	1				
D10		INC. 208						
208	352010-6	INLET SCREEN		1	*			
208-1	352021-1	INLET SCREEN	X	1				
209	442154-1	METERING DIAPHRAGM GASKET		1				
210	168620-7	METERING DIAPHRAGM		1				
211	140438-8	AIR PURGE BODY		1				
212	424314-7	PRIMER PUMP		1				
213	346270-0	PRIMER PUMP COVER		1				
214	266582-4	TAPPING SCREW 3X24		4				
220	413143-3	WASHER		2				
221	638706-6	LEAD UNIT		1				
222	135398-7	PROTECTOR EXTENSION ASSY		1				
D10		INC. 223,224						
223	266326-2	TAPPING SCREW 4X18		1				
224	346074-0	CUTTER		1	*			
224-1	347050-7	CUTTER	O	1				
225	819765-1	EM2650UH MODEL NO.LABEL		1				
226	819431-0	CAUTION TAG		1				
227	810455-9	CAUTION PLATE		1				
228	891985-9	INDICATION LABEL		1	*			
228-1	800F73-7	INDICATION LABEL	O	1				
229	941152-7	FLAT WASHER 6		1				
230	443170-6	FELT		1				
231	352020-3	SEPARATOR MESH	S	1				
232	453865-3	SEPARATOR CASE	S	1				
233	453862-9	OIL CASE PLATE	S	1				
234	801D19-4	SERIAL NO. LABEL	<	1				
235	135599-7	SHORT BLOCK ASS'Y 25.4CC		1	*			

Please order the parts with part number.

Print Date 4/3/2024

Model No.EM2650UH PETROL BRUSH CUTTER

Item	Parts No.	Description	I/C	Qty	New/Old	Opt. 1	Opt. 2	Note
D10		INC. 85-88,108-110,112-118,137			*			
D20		INC. 138,140,143-147,149-154			*			
235-1	135668-4	SHORT BLOCK ASS'Y 25.4CC	O	1				
D10		INC. 85-88,108-110,112-118,137						
D20		INC. 138,140,143-147,149-154						
A01	122906-3	BAND ASSY		1				
C10	140400-3	HOOK COMPLETE		1				
A02	242072-1	OIL BOTTLE		1	*			
A03	783013-3	BOX DRIVER 16-17		1				
A04	783217-7	HEX. WRENCH 5		1	*			
A04-1	783232-1	HEX. WRENCH 5	O	1	*			
A04-2	783217-7	HEX. WRENCH 5	O	1				
A05	783223-2	HEX. WRENCH 4		1	*			
A05-1	783202-0	HEX. WRENCH 4	O	1				
A06	831304-7	ACCESSORY BAG		1				
A07	451252-0	TOOL COVER		1				
A09	195298-3	CUTTER BLADE SET		1				
A10	195500-4	OIL SET		1	*			
A10-1	197007-6	OIL SET	O	1	*			
A10-2	191A18-9	OIL SET	O	1	*			
A10-3	197007-6	OIL SET	O	1				
E01	266427-6	TAPPING SCREW 4X12		1				
E02	452219-1	CHOKE PLATE		1				
E03	452220-6	CHOKE LEVER		1				
E05	801P53-6	GAS EMISSION APPROVAL LABEL		1	*			
E05-1	809L93-4	GAS EMISSION APPROVAL LABEL	<	1	*			

Please order the parts with part number.

Print Date 4/3/2024