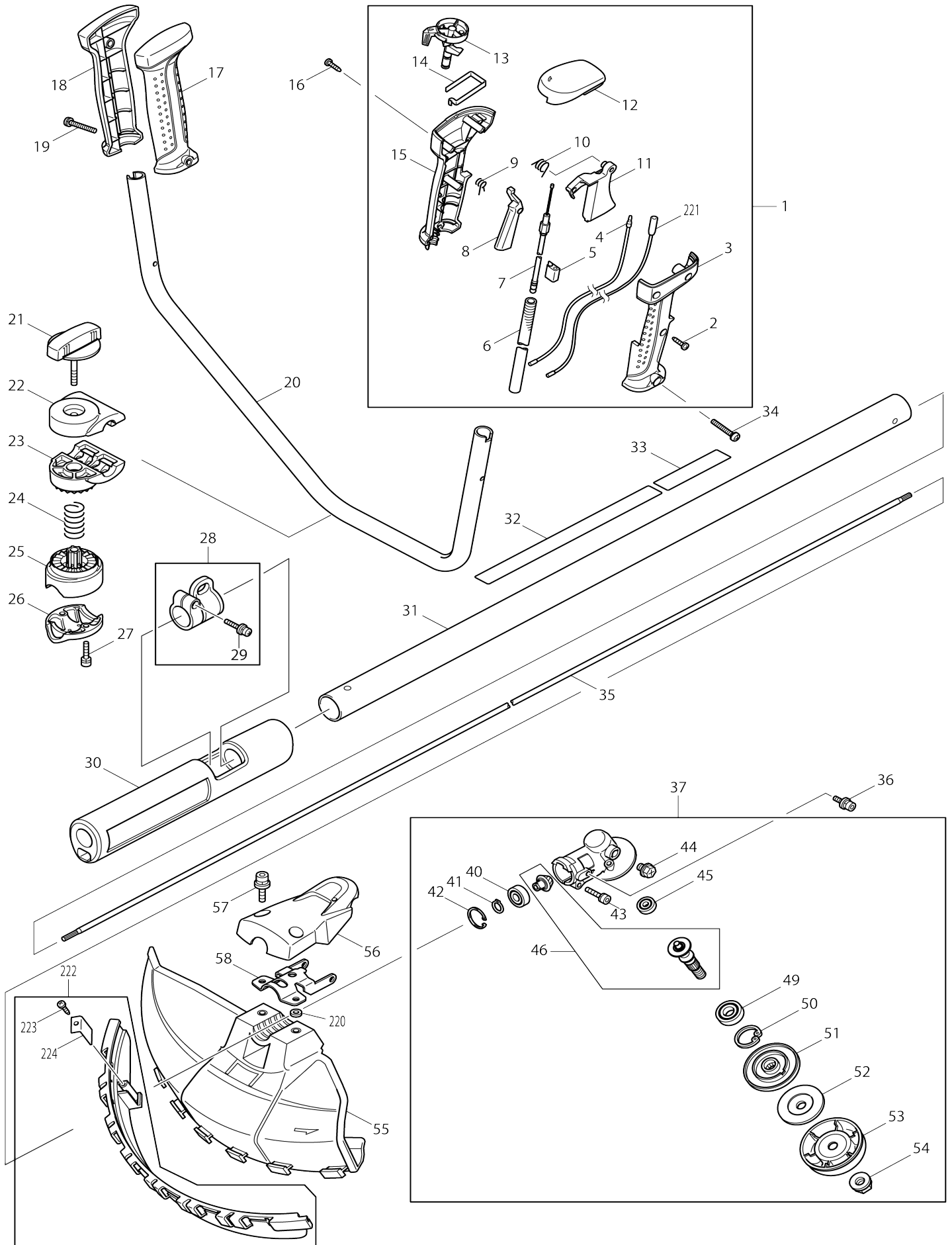
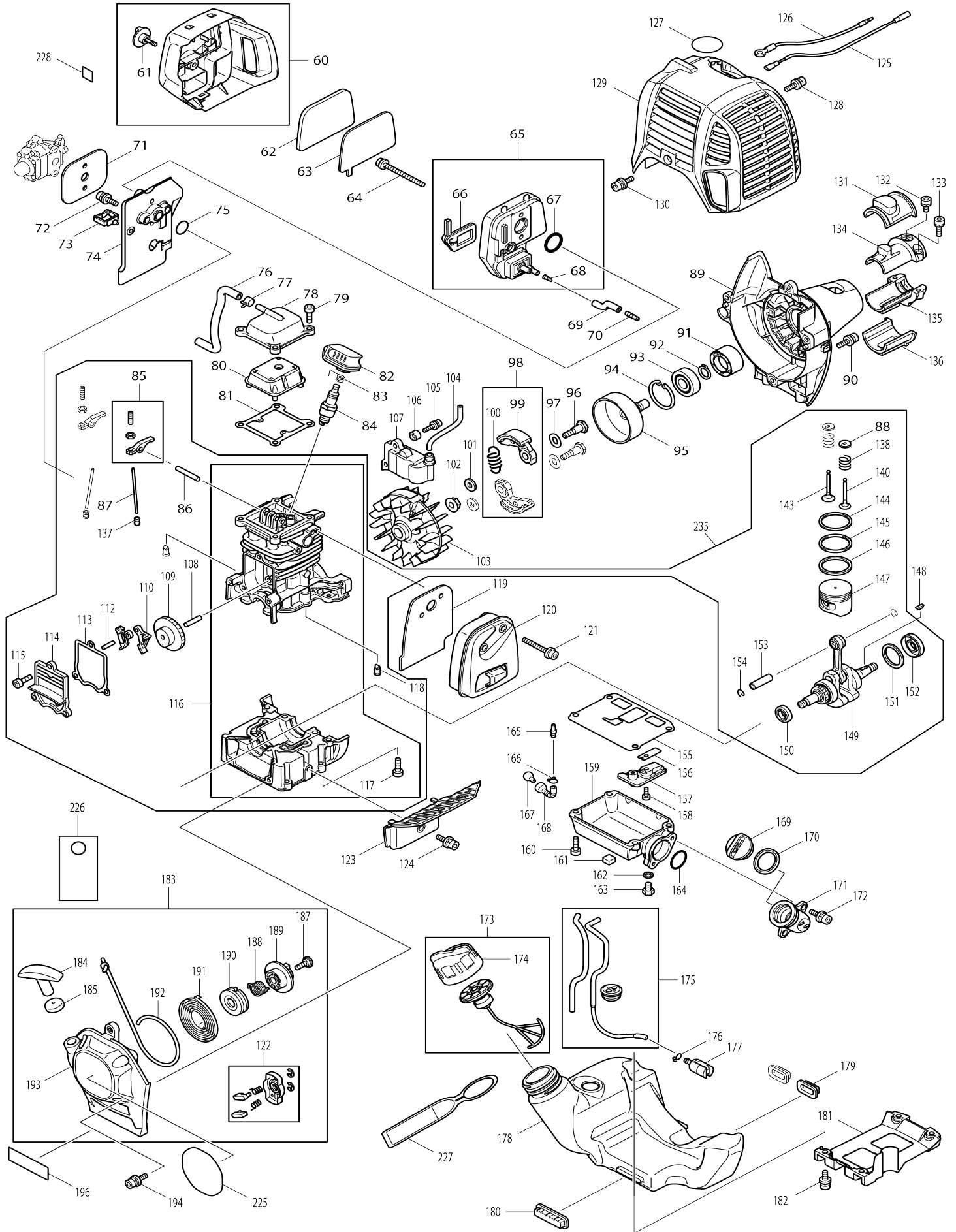
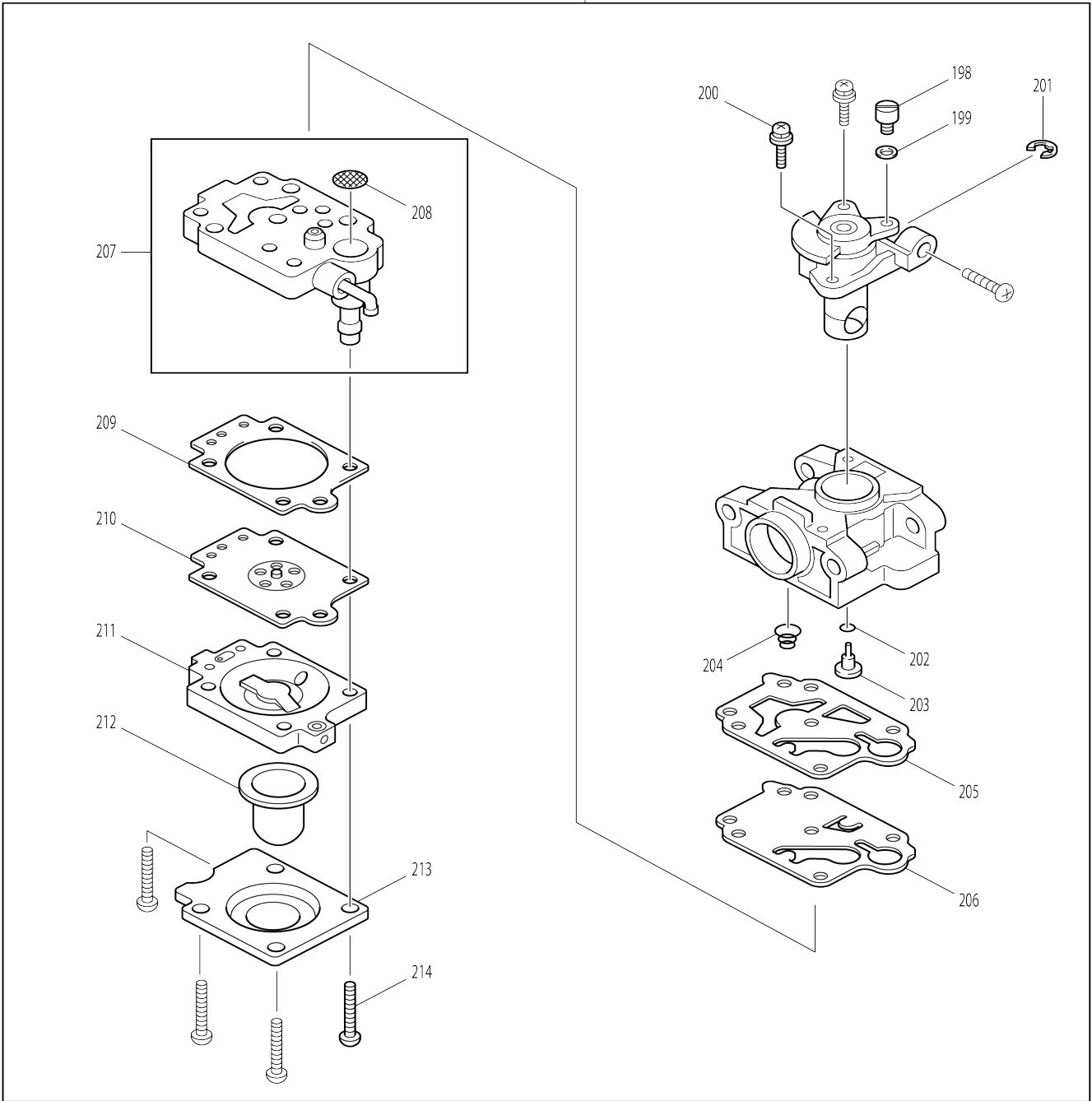


# Model No.EM2651UH PETROL BRUSH CUTTER



# Model No.EM2651UH PETROL BRUSH CUTTER





Model No.EM2651UH PETROL BRUSH CUTTER

Item No.	Parts No.	Description	Interchangability	Q'ty	New/Old	Note1	Note2
F01	199140-0	GUIDE RAIL 1000 SET		1			
F02	199141-8	GUIDE RAIL 1500 SET		1			
F03	194368-5	GUIDE RAIL 1400 SET		1			
F04	194925-9	GUIDE RAIL 1900 SET		1			
F05	194367-7	GUIDE RAIL 3000 SET		1			
F06	194416-0	SHEET 10000 SET		1			
F07	194417-8	RUBBER SHEET 10000 SET		1			
F08	194418-6	POSITION SHEET 1400 SET		1			
F09	194910-2	POSITION SHEET 1900 SET		1			
001	125775-1	CONTROL LEVER ASSEMBLY		1			
D10		INC. 2-15,221					
002	266326-2	TAPPING SCREW 4X18		3			
003	188656-0	LEVER CASE SET		1	*		
D10		INC. 15					
003-1	183A10-9	LEVER CASE SET	S	1			
D10		INC. 15					
004	638705-8	LEAD UNIT		1			
005	451081-1	CABLE HOLDER		1			
006	452005-0	CORRUGATE TUBE		1			
007	168570-6	CONTROL CABLE		1			
008	451083-7	LOCK OFF LEVER		1			
009	233541-3	TORSION SPRING 7		1			
010	233540-5	TORSION SPRING 11		1			
011	451084-5	THROTTLE LEVER		1			
012	451085-3	SWITCH COVER		1	*		
012-1	455722-1	SWITCH COVER	S	1			
013	451082-9	SWITCH LEVER		1			
014	232251-9	LEAF SPRING		1			
015	188656-0	LEVER CASE SET		1	*		
D10		INC. 3					
015-1	183A10-9	LEVER CASE SET	S	1			
D10		INC. 3					
016	266326-2	TAPPING SCREW 4X18		1			
017	188659-4	GRIP SET		1			
D10		INC. 18					
018	188659-4	GRIP SET		1			
D10		INC. 17					
019	911256-9	PAN HEAD SCREW M5X35		1			
020	331862-8	HANDLE 19		1			
021	168524-3	KNOB 57		1	*		
021-1	168796-0	KNOB 57	<	1			
022	318429-9	HANDLE CLAMP		1			
023	318428-1	HANDLE HOLDER		1			
024	233202-5	COMPRESSION SPRING 20		1			
025	318427-3	PIPE HOLDER		1			
026	318426-5	PIPE CLAMP		1			
027	922241-7	HEX. SOCKET HEAD BOLT M5X25		2			

028	195143-2	HANGER SET		1		
D10		INC. 29				
029	911233-1	PAN HEAD SCREW M5X20		1		
030	422045-2	CUSHION		1	*	
030-1	422167-8	CUSHION M	O	1		
031	140431-2	SHAFT PIPE COMPLETE		1		
032	891174-6	CAUTION LABEL		1		
033	819312-8	MAKITA LOGO LABEL		1		
034	911256-9	PAN HEAD SCREW M5X35		1		
035	324893-4	SHAFT		1	*	
035-1	327056-1	SHAFT	O	1		
036	922218-2	H.S.H.BOLT M5X14 WITH WR		2	*	
036-1	922206-9	HEX. SOCKET HEAD BOLT M5X10	>	2		
037	125556-3	GEAR CASE ASSEMBLY		1	*	
D10		INC. 40-46,49-54				
037-1	123833-7	GEAR CASE ASSEMBLY	S	1	*	
D10		INC. 40-42,44-46,49-54				
037-2	123833-7	GEAR CASE ASSEMBLY	O	1		
D10		INC. 40-42,44-46,49-54				
040	210049-4	BALL BEARING 609ZZ		1	*	
040-1	210157-1	BALL BEARING 609ZZ	O	1		
041	961005-4	RETAINING RING S-9		1	*	
041-1	257986-1	RETAINING RING (EXT) S-9	O	1		
042	962103-7	RETAINING RING R-24		1	*	
042-1	257987-9	RETAINING RING (INT)R-24	O	1		
043	922241-7	HEX. SOCKET HEAD BOLT M5X25		1		
044	265590-2	+HEX.BOLT M8X10 WITH R		1		
045	211019-6	BALL BEARING 626		1	*	
046	188866-9	CUTTER SHAFT SET		1	*	
046-1	188902-1	CUTTER SHAFT SET	S	1	*	
046-2	183A00-2	CUTTER SHAFT SET	O	1	*	
046-3	183K10-9	CUTTER SHAFT SET	O	1		
049	210115-7	BALL BEARING 6001LLU		1		
050	962106-1	RETAINING RING R-28		1	*	
050-1	257407-3	RETAINING RING (INT)R-28	O	1		
051	331861-0	RECEIVE WASHER		1	*	
051-1	326821-5	RECEIVE WASHER	O	1		
052	346084-7	CLAMP WASHER		1		
053	168526-9	CUP		1		
054	264025-0	HEX. NUT M10-17		1		
055	452260-4	PROTECTOR		1		
056	451097-6	PROTECTOR COVER		1	*	
057	266579-3	HEX SOCKET HEAD BOLT M6X30		2	*	
057-1	266280-0	HEX. SOCKET HEAD BOLT M6X25	>	2		
058	346073-2	PROTECTOR CLAMP		1	*	
058-1	347012-5	PROTECTOR CLAMP 24	S	1		
060	125746-8	CLEANER COVER ASSEMBLY		1	*	
D10		INC. 61				
060-1	126202-1	CLEANER COVER ASSEMBLY	S	1	*	
D10		INC. 61				
060-2	123499-3	CLEANER COVER ASSEMBLY	S	1		
D10		INC. 61				

061	265791-2	THUMB SCREW M4		1		
062	443141-3	AIR CLEANER ELEMENT		1	*	
062-1	443171-4	AIR CLEANER ELEMENT	S	1	*	
062-2	443171-4	AIR CLEANER ELEMENT	O	1		
063	443140-5	AIR CLEANER ELEMENT		1	*	
063-1	443169-1	AIR CLEANER ELEMENT	S	1		
064	266601-6	HEX. SOCKET HEAD BOLT M5X60		2	*	
064-1	266618-9	H.S.BUTTON HEAD BOLT M5X60	O	2		
065	125833-3	CLEANER PLATE ASSEMBLY		1	*	
D10		INC. 66-68,E01-E03				
065-1	126004-5	CLEANER PLATE ASSEMBLY	<	1	*	
C10	162322-7	SEPARATOR STOPPER		1	*	
C20	162325-1	SEPARATOR GASKET		1	*	
C30	352013-0	SEPARATOR NET		1	*	
D10		INC. 66-68,E01-E03				
065-2	126198-6	CLEANER PLATE ASSEMBLY	S	1	*	
C10	266007-8	TAPPING SCREW BIND PT 3X10		1	*	
D10		INC. 66-68,E01-E03,231,232				
065-3	123501-2	CLEANER PLATE ASSEMBLY	S	1		
C10	266007-8	TAPPING SCREW BIND PT 3X10		1		
D10		INC. 66-68,E01-E03,231,232				
066	162300-7	SEPARATOR PLATE		1	*	
066-1	162324-3	SEPARATOR PLATE	<	1	*	
066-2	162346-3	SEPARATOR PLATE	S	1		
067	213540-1	O RING 15		1		
068	424316-3	CHECK VALVE		1	*	
068-1	424316-3	CHECK VALVE	S	2		
069	422062-2	PIPE		1	*	
069-1	422099-9	PIPE	S	1		
070	325665-0	JOINT PIPE		1		
071	442153-3	CARBURETOR GASKET		1		
072	922228-9	H.S.H.BOLT M5X18 WITH WR		2	*	
072-1	266787-6	H.S.H.BOLT M5X18 WITH WR	<	2		
073	451825-9	CLAMP		1		
074	451729-5	INSULATOR		1		
075	213547-7	O-RING 12		1		
076	422055-9	BREATHER PIPE		1	*	
076-1	422109-2	BREATHER PIPE	<	1		
077	345918-1	HOSE CLAMP		1		
078	318587-1	ROCKER COVER OUTER		1	*	
078-1	318745-9	ROCKER COVER OUTER	<	1		
079	266570-1	HEX. SOCKET HEAD BOLT M5X16		4	*	
079-1	922222-1	HEX. SOCKET HEAD BOLT M5X16	O	4		
080	451728-7	ROCKER COVER INNER		1	*	
080-1	452795-5	ROCKER COVER INNER	<	1	*	
080-2	453860-3	ROCKER COVER INNER	S	1		
081	162304-9	ROCKER COVER GASKET		1		
082	424302-4	PLUG CAP		1		
083	324891-8	PLUG CAP SPRING		1		
084	168534-0	SPARK PLUG		1		
085	125554-7	ROCKER ARM ASSEMBLY		2		

086	256200-2	PIN 5		1		
087	256865-0	ROD 2.5		2		
088	325668-4	SPRING RETAINER		2		
089	451735-0	CLUTCH CASE		1	*	
089-1	143823-4	CLUTCH CASE COMPLETE	<	1		
090	922228-9	H.S.H.BOLT M5X18 WITH WR		3		
091	450569-8	SPACER		1	*	
091-1	450569-8	SPACER	O	1		
092	961052-5	RETAINING RING (EXT) S-12		1		
093	210111-5	BALL BEARING 6201LLU		1	*	
093-1	210111-5	BALL BEARING 6201LLU	O	1		
094	962151-6	RETAINING RING R-32		1		
095	168609-5	CLUTCH DRUM		1	*	
095-1	168809-7	CLUTCH DRUM COMPLETE	O	1	*	
095-2	161588-6	CLUTCH DRUM COMPLETE	<	1		
096	266457-7	SHOULDER HEX. BOLT M6X25		2	*	
096-1	266864-4	SHOULDER HEX. BOLT M6X25	O	2		
097	267817-6	WASHER 8		2		
098	125518-1	CLUTCH ASSEMBLY		1	*	
D10		INC. 99,100				
098-1	126135-0	CLUTCH ASSEMBLY	<	1		
D10		INC. 99,100				
099	168498-8	CLUTCH SHOE		2	*	
099-1	161332-1	CLUTCH SHOE	O	2		
100	231858-8	TENSION SPRING 6		1	*	
100-1	231881-3	TENSION SPRING 7	<	1		
101	267812-6	WASHER 6		2		
102	264039-9	CONED DISK SPRING HEXNUT M 8-13		1	*	
102-1	264039-9	CONED DISK SPRING HEXNUT M 8-13	<	1		
103	318569-3	FLYWHEEL		1		
104	444021-6	TUBE		1		
105	266602-4	HEX. SOCKET HEAD BOLT M4X20		2		
106	452049-0	SPACER		2		
107	168559-4	IGNITION COIL		1	*	
107-1	161483-0	IGNITION COIL	<	1		
108	268238-5	PIN 5		1		
109	125552-1	CAM GEAR ASSEMBLY		1		
110	313169-4	CAM LIFTER		2		
112	268239-3	PIN 4		1		
113	162274-2	CAM GEAR COVER GASKET		1		
114	318443-5	CAM GEAR COVER		1		
115	266570-1	HEX. SOCKET HEAD BOLT M5X16		3	*	
115-1	922222-1	HEX. SOCKET HEAD BOLT M5X16	O	3		
116	135403-0	CYLINDER BLOCK ASSEMBLY		1	*	
D10		INC. 117				
116-1	135478-9	CYLINDER BLOCK ASSEMBLY	<	1	*	
D10		INC. 117				
116-2	135478-9	CYLINDER BLOCK ASSEMBLY	<	1		
D10		INC. 88,117,118				
117	266570-1	HEX. SOCKET HEAD BOLT M5X16		6	*	

117-1	922222-1	HEX. SOCKET HEAD BOLT M5X16	O	6		
118	424201-0	CHECK VALVE		2		
119	345916-5	MUFFLER GASKET		1	*	
119-1	346331-6	MUFFLER GASKET	<	1		
120	168554-4	EXHAUST MUFFLER		1		
121	266440-4	HEX SOCKET HEAD BOLT M5X40		2		
122	168471-8	PULLEY		1		
123	451731-8	MUFFLER PLATE		1		
124	922218-2	H.S.H.BOLT M5X14 WITH WR		1	*	
124-1	922206-9	HEX. SOCKET HEAD BOLT M5X10	>	1		
125	638707-4	LEAD UNIT		1		
126	638708-2	LEAD UNIT		1		
127	808633-3	4STROKE INDICATION LABEL		1	*	
128	922218-2	H.S.H.BOLT M5X14 WITH WR		1	*	
128-1	922206-9	HEX. SOCKET HEAD BOLT M5X10	>	1		
129	451734-2	CYLINDER COVER		1	*	
129-1	453266-5	CYLINDER COVER	S	1		
130	922218-2	H.S.H.BOLT M5X14 WITH WR		1	*	
130-1	922206-9	HEX. SOCKET HEAD BOLT M5X10	>	1		
131	424082-2	BUFFER RUBBER		1		
132	922211-6	H.S.H.BOLT M5X12 WITH W		1		
133	922226-3	HEX. SOCKET HEAD BOLT M5X18		2		
134	318249-1	PIPE HOLDER		1		
135	318250-6	PIPE HOLDER		1		
136	424083-0	BUFFER RUBBER		1		
137	424200-2	SPACER		2		
138	234108-0	COMPRESSION SPRING 9		2		
140	325669-2	EXHAUST VALVE		1	*	
140-1	326366-3	EXHAUST VALVE	O	1		
143	325670-7	INTAKE VALVE		1	*	
143-1	326367-1	INTAKE VALVE	O	1		
144	257298-2	PISTON RING (TOP) 34		1	*	
144-1	195145-8	PISTON RING SET	S	1		
145	257299-0	PISTON RING (SECOND) 34		1	*	
146	257300-1	PISTON RING 34		1	*	
147	318441-9	PISTON		1		
148	254040-2	WOODRUFF KEY 3		1		
149	135406-4	CRANK SHAFT ASSEMBLY		1	*	
149-1	135481-0	CRANK SHAFT ASS'Y	<	1	*	
149-2	126204-7	CRANK SHAFT ASS'Y	S	1	*	
D10		INC. 150-152				
149-3	126359-8	CRANK SHAFT ASSEMBLY	O	1	*	
D10		INC. 150-152				
149-4	123774-7	CRANK SHAFT ASSEMBLY	<	1		
D10		INC. 150-152				
150	213148-1	OIL SEAL 10		1	*	
150-1	213148-1	OIL SEAL 10	S	1	*	
150-2	213769-9	OIL SEAL 10	<	1		
151	267400-9	FLAT WASHER 23		1	*	
151-1	267400-9	FLAT WASHER 23	S	1		
152	213147-3	OIL SEAL 12		1	*	
152-1	213147-3	OIL SEAL 12	S	1	*	



152-2	213089-1	OIL SEAL 12	<	1			
153	257781-9	PISTON PIN		1			
154	233976-8	CLIP		2			
155	162303-1	OIL CASE GASKET		1	*		
155-1	162323-5	OIL CASE GASKET	S	1	*		
155-2	162345-5	OIL CASE GASKET	S	1			
156	346083-9	LEAD VALVE		1			
157	318590-2	RETAINER PLATE		1	*		
157-1	318910-0	RETAINER PLATE	S	1			
158	266569-6	HEX. SOCKET HEAD BOLT M4X10		1	*		
158-1	922112-8	HEX. SOCKET HEAD BOLT M4X10	O	1			
159	318588-9	OIL CASE		1			
160	266570-1	HEX. SOCKET HEAD BOLT M5X16		4	*		
160-1	922222-1	HEX. SOCKET HEAD BOLT M5X16	O	4			
161	424344-8	DAMPER		1			
162	346305-7	GASKET		1			
163	266611-3	HEX BOLT M6X8		1			
164	213548-5	O-RING 20		1			
165	325898-7	JOINT PIPE		1	*		
165-1	325665-0	JOINT PIPE	S	1			
166	282020-8	HOSE CLAMP		1	*		
166-1	282020-8	HOSE CLAMP	O	1			
167	325666-8	OIL WEIGHT		1	*		
167-1	325666-8	OIL WEIGHT	O	1			
168	424301-6	OIL TUBE		1	*		
168-1	125805-8	OIL TUBE ASSEMBLY	S	1			
C10	424301-6	OIL TUBE		1			
D10		INC. 166,167					
169	452047-4	OIL CAP		1			
170	424343-0	GASKET		1			
171	452048-2	OIL PIPE		1			
172	922218-2	H.S.H.BOLT M5X14 WITH WR		2	*		
172-1	922206-9	HEX. SOCKET HEAD BOLT M5X10	>	2			
173	125728-0	FUEL TANK CAP ASSEMBLY		1	*		
D10		INC. 174					
173-1	127112-5	FUEL TANK CAP ASSEMBLY	O	1			
D10		INC. 174					
174	451739-2	FUEL TANK CAP		1			
175	168555-2	TUBE COMPLETE		1	*		
175-1	168755-4	TUBE COMPLETE	<	1			
176	282020-8	HOSE CLAMP		1			
177	163518-3	GASOLINE FILTER		1			
178	451736-8	FUEL TANK		1			
179	424080-6	BUFFER RUBBER		2			
180	424081-4	BUFFER RUBBER		1			
181	451737-6	TANK GUARD		1			
182	922218-2	H.S.H.BOLT M5X14 WITH WR		4	*		
182-1	922206-9	HEX. SOCKET HEAD BOLT M5X10	>	4			
183	195309-4	RECOIL STARTER SET		1			
D10		INC. 122,184,185,187-193					
184	424319-7	STARTER KNOB		1			

185	424359-5	DAMPER		1		
187	266585-8	TAPPING SCREW 5X12		1		
188	233578-0	DAMPER SPRING		1		
189	452275-1	CAM PLATE		1		
190	452274-3	REEL		1		
191	232258-5	SPIRAL SPRING		1		
192	444024-0	STARTER ROPE		1		
193	451732-6	STARTER CASE		1		
194	922223-9	H.S.H.BOLT M5X16 WITH WR		4		
196	816565-0	MAKITA LOGO LABEL		1		
197	168591-8	CARBURETOR		1	*	
D10		INC. 198-207,209-214				
197-1	168762-7	CARBURETOR	<	1		
D10		INC. 198-207,209-214				
198	325922-6	SWIVEL		1		
199	413140-9	WASHER		1		
200	266581-6	PAN HEAD SCREW M3X8 WITH W		2	*	
200-1	WJ00096364	SCREW M3X8 WITH WASHER	O	2		
201	257964-1	STOP RING E-3		1		
202	213538-8	O RING 2		1		
203	325985-2	JET		1		
204	234183-6	CONICAL COMPRESSION SPRING 5-9		1		
205	442155-9	PUMP GASKET		1		
206	168575-6	PUMP DIAPHRAGM		1	*	
206-1	WJ00009599	PUMP DIAPHRAGM	O	1		
207	140437-0	PUMP BODY		1	*	
D10		INC. 208				
207-1	141737-1	PUMP BODY	X	1		
D10		INC. 208				
208	352010-6	INLET SCREEN		1	*	
208-1	352021-1	INLET SCREEN	X	1		
209	442154-1	METERING DIAPHRAGM GASKET		1		
210	168620-7	METERING DIAPHRAGM		1		
211	140438-8	AIR PURGE BODY		1		
212	424314-7	PRIMER PUMP		1		
213	346270-0	PRIMER PUMP COVER		1		
214	266582-4	TAPPING SCREW 3X24		4		
220	413143-3	WASHER		2		
221	638706-6	LEAD UNIT		1		
222	135398-7	PROTECTOR EXTENSION ASSY		1		
D10		INC. 223,224				
223	266326-2	TAPPING SCREW 4X18		1		
224	346074-0	CUTTER		1	*	
224-1	347050-7	CUTTER	O	1		
225	891177-0	EM2651UH MODEL NO.LABEL		1		
226	819430-2	CAUTION TAG		1		
227	810455-9	CAUTION PLATE		1		
228	891985-9	INDICATION LABEL		1	*	
228-1	800F73-7	INDICATION LABEL	O	1		
229	941152-7	FLAT WASHER 6		1		
230	443170-6	FELT		1		

231	352020-3	SEPARATOR MESH	S	1		
232	453865-3	SEPARATOR CASE	S	1		
233	453862-9	OIL CASE PLATE	S	1		
234	801D19-4	SERIAL NO. LABEL	<	1		
235	135599-7	SHORT BLOCK ASS'Y 25.4CC		1	*	
D10		INC. 85-88,108-110,112-118,137				
D20		INC. 138,140,143-147,149-154				
235-1	135668-4	SHORT BLOCK ASS'Y 25.4CC	O	1		
D10		INC. 85-88,108-110,112-118,137				
D20		INC. 138,140,143-147,149-154				
A01	122906-3	BAND ASSY		1		
C10	140400-3	HOOK COMPLETE		1		
A02	242072-1	OIL BOTTLE		1	*	
A03	783013-3	BOX DRIVER 16-17		1		
A04	783217-7	HEX. WRENCH 5		1	*	
A04-1	783232-1	HEX. WRENCH 5	O	1	*	
A04-2	783217-7	HEX. WRENCH 5	O	1		
A05	783223-2	HEX. WRENCH 4		1	*	
A05-1	783202-0	HEX. WRENCH 4	O	1		
A06	831304-7	ACCESSORY BAG		1		
A07	B-05125	ULTRA AUTO 4 M BRAND MHI		1		
A10	195500-4	OIL SET		1	*	
A10-1	197007-6	OIL SET	O	1	*	
A10-2	191A18-9	OIL SET	O	1	*	
A10-3	197007-6	OIL SET	O	1		
E01	266427-6	TAPPING SCREW 4X12		1		
E02	452219-1	CHOKE PLATE		1		
E03	452220-6	CHOKE LEVER		1		
E05	801P53-6	GAS EMISSION APPROVAL LABEL		1	*	
E05-1	809L93-4	GAS EMISSION APPROVAL LABEL	<	1	*	
F08	198502-9	NYLON CORD 2.4-30M SET		1		
F09	198503-7	NYLON CORD 2.4-120M SET		1		
F10	198504-5	NYLON CORD 2.4-180M SET		1		

Please state Parts No. when your order.

Print Date 03/01/2024