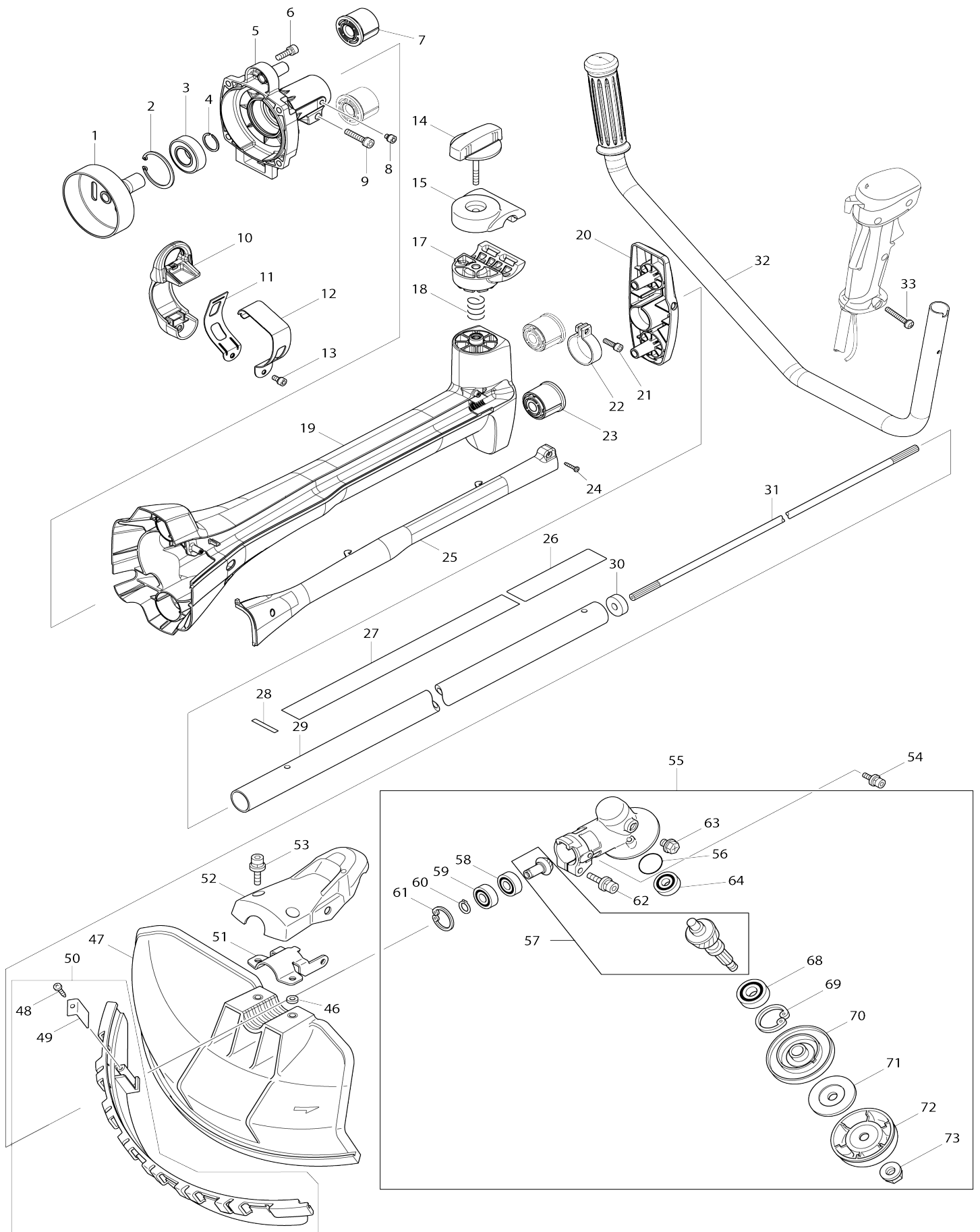
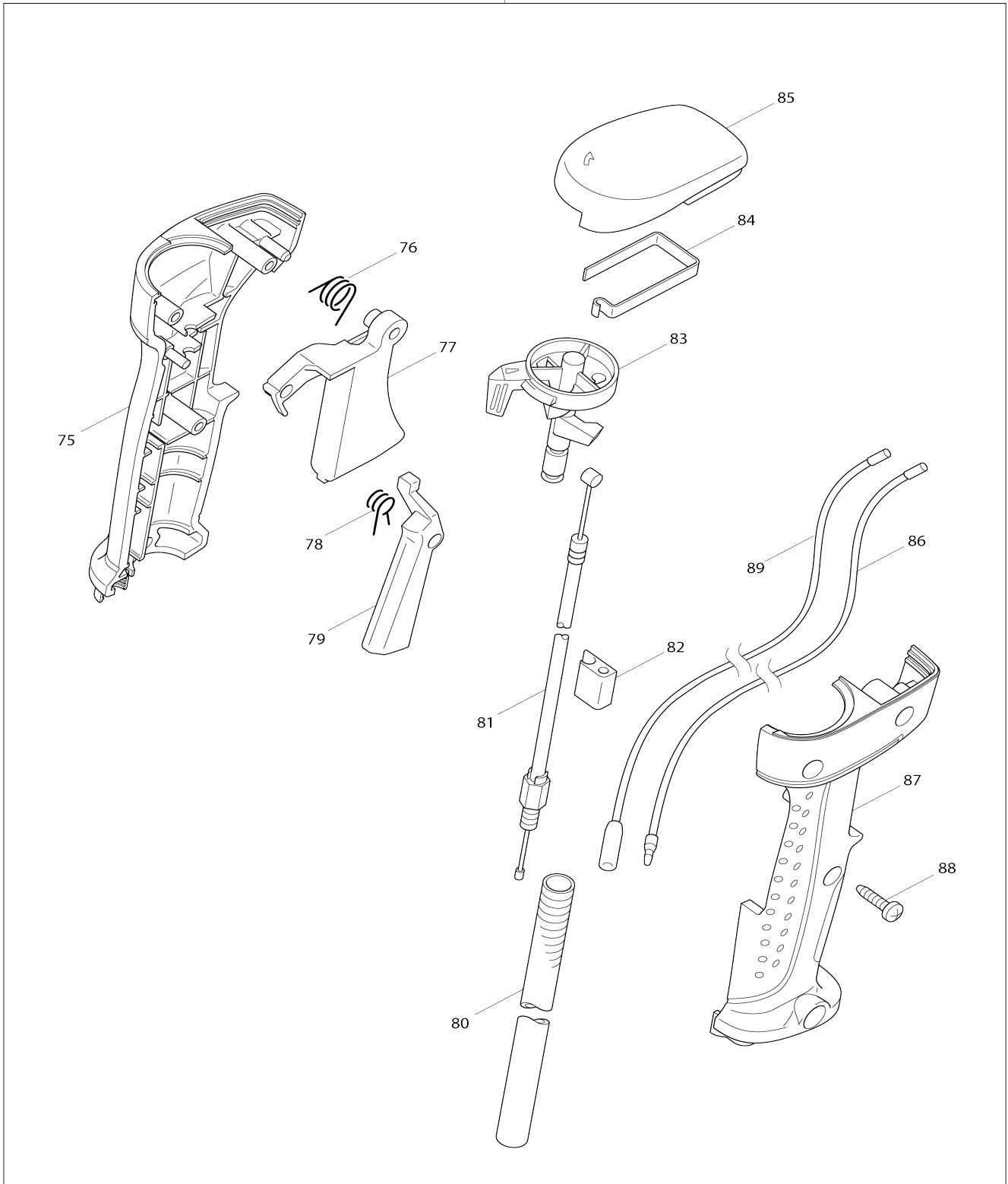


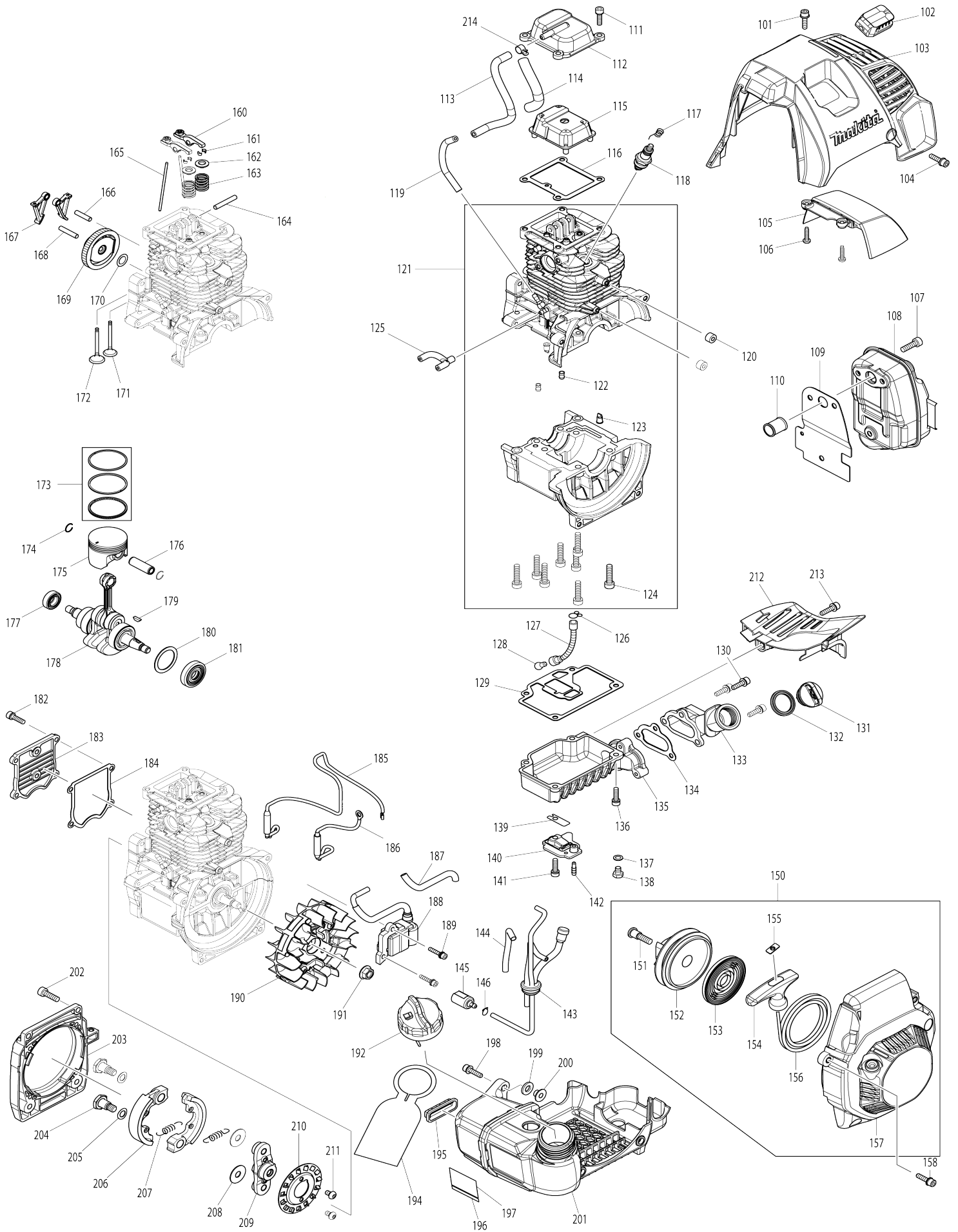
Model No.EM4351UH PETROL BRUSHCUTTER



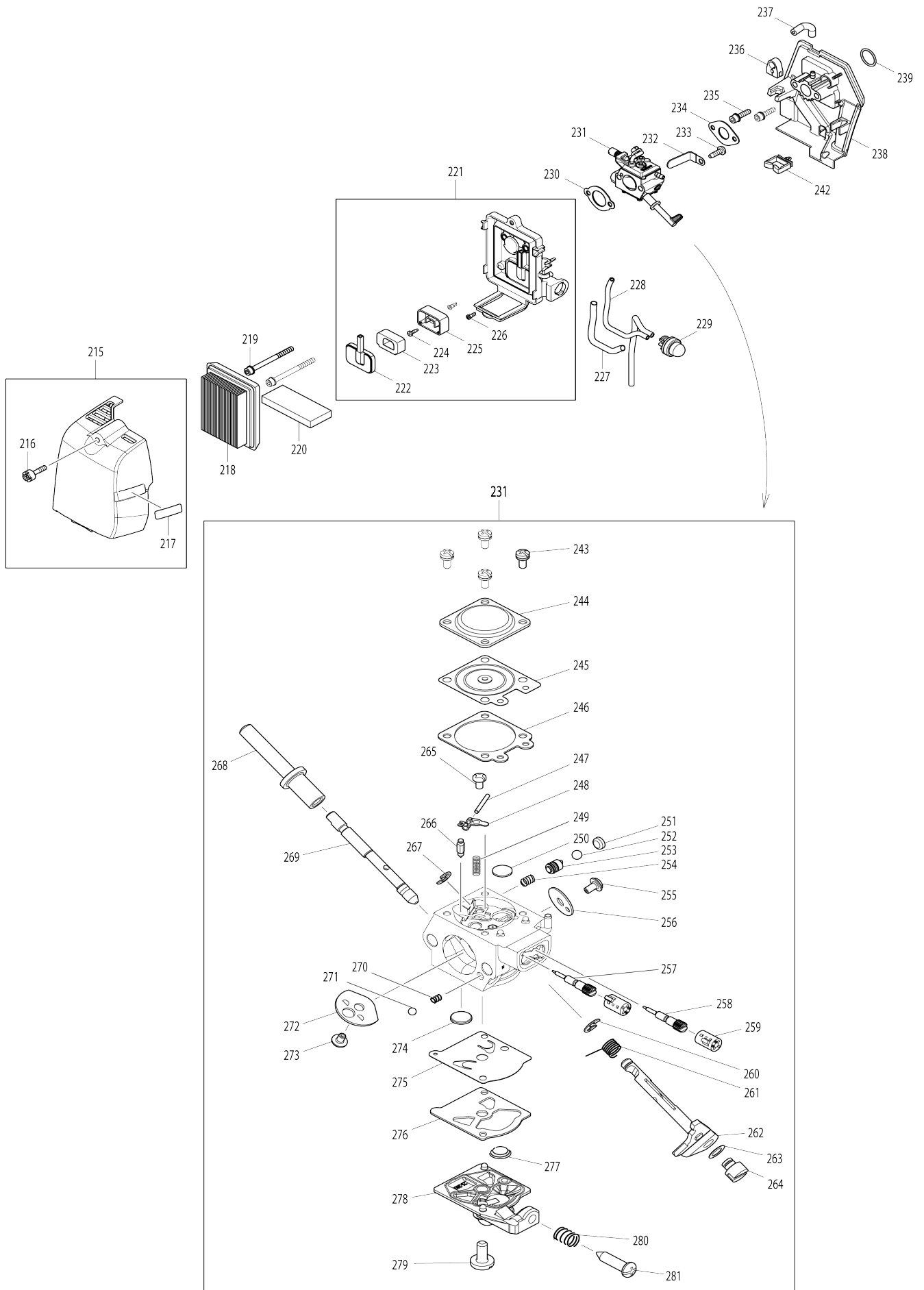
74



Model No.EM4351UH PETROL BRUSHCUTTER



Model No.EM4351UH PETROL BRUSHCUTTER



Model No.EM4351UH PETROL BRUSHCUTTER

Item No.	Parts No.	Description	Interchangability	Q'ty	New/Old	Note1	Note2
001	168712-2	CLUTCH DRUM		1			
002	962201-7	RETAINING RING (INT) R-42		1			
003	211387-7	BALL BEARING 6004LLU		1			
004	961090-7	RETAINING RING (EXT) WR-20		1			
005	318849-7	CLUTCH CASE		1			
006	922331-6	HEX. SOCKET HEAD BOLT M6X20		4			
007	424488-4	BUFFER RUBBER		2			
008	922201-9	HEX. SOCKET HEAD BOLT M5X8		1			
009	922351-0	HEX. SOCKET HEAD BOLT M6X30		1			
010	453525-7	HANGER		1	*		
010-1	456033-7	HANGER	S	1			
011	346572-4	HANGER HOLDER L		1			
012	346571-6	HANGER HOLDER R		1			
013	265991-4	HEX. SOCKET HEAD BOLT		1	*		
013-1	266957-7	WING BOLT M5X20	S	1			
014	168796-0	KNOB 57		1			
015	318425-7	HANDLE CLAMP		1			
017	318860-9	HANDLE HOLDER		1			
018	233309-7	COMPRESSION SPRING 17		1			
019	453526-5	PIPE HOUSING		1			
020	453528-1	HOUSING HOLDER		1			
021	922226-3	HEX. SOCKET HEAD BOLT M5X18		1			
022	346590-2	PIPE CLAMP 33		1			
023	424488-4	BUFFER RUBBER		2			
024	266429-2	TAPPING SCREW 3X16		2			
025	453527-3	HOUSING COVER		1			
026	819312-8	MAKITA LOGO LABEL		1			
027	898809-0	CAUTION LABEL		1	*		
027-1	803A23-1	CAUTION LABEL	O	1			
028	801D20-9	SERIAL NO. LABEL		1			
029	141335-1	SHAFT PIPE COMPLETE		1			
030	443146-3	FELT RING 8		1			
031	326153-0	SHAFT		1			
032	141584-0	HANDLE COMPLETE		1	*		
032-1	141P75-7	HANDLE COMPLETE	<	1			
033	911256-9	PAN HEAD SCREW M5X35		1			
046	413143-3	WASHER		2			
047	452259-9	PROTECTOR		1			
048	266326-2	TAPPING SCREW 4X18		1			
049	346074-0	CUTTER		1			
050	135398-7	PROTECTOR EXTENSION ASSY		1			
D10		INC. 48,49					
051	346072-4	PROTECTOR CLAMP		1			
052	451090-0	PROTECTOR COVER		1			
053	266579-3	HEX SOCKET HEAD BOLT M6X30		2			
054	266865-2	H.S.H.BOLT M5X14 WITH WR		2			
055	126260-7	GEAR CASE ASSEMBLY		1	*		

D10		INC. 56-64,68-73				
055-1	126310-8	GEAR CASE ASSEMBLY	O	1	*	
D10		INC. 56-64,68-73				
055-2	123835-3	GEAR CASE ASSEMBLY	S	1		
D10		INC. 56-64,68-73				
056	213459-4	O RING 32		1	*	
057	188865-1	CUTTER SHAFT SET		1	*	
057-1	187644-4	CUTTER SHAFT SET	O	1	*	
057-2	183K07-8	CUTTER SHAFT SET	O	1		
058	211064-1	BALL BEARING 6000		1	*	
058-1	210161-0	BALL BEARING 6000	>	1		
059	211062-5	BALL BEARING 6000ZZ		1	*	
059-1	210160-2	BALL BEARING 6000ZZ	>	1		
060	961006-2	RETAINING RING S-10		1	*	
060-1	257408-1	RETAINING RING(EXT) S-10	O	1		
061	962105-3	RETAINING RING R-26		1	*	
061-1	257988-7	RETAINING RING (INT) R-26	O	1		
062	922353-6	HEX.SOCKET HEAD BOLT M6X30		1		
063	265590-2	+HEX.BOLT M8X10 WITH R		1		
064	210081-8	BALL BEARING 629ZZ		1	*	
064-1	210159-7	BALL BEARING 629ZZ	>	1		
068	210116-5	BALL BEARING 6201LLU		1		
069	962151-6	RETAINING RING R-32		1	*	
069-1	257409-9	RETAINING RING(INT) R-32	O	1		
070	331860-2	RECEIVE WASHER		1	*	
070-1	332114-0	RECEIVE WASHER	<	1	*	
070-2	326823-1	RECEIVE WASHER	O	1		
071	346355-2	CLAMP WASHER		1		
072	168526-9	CUP		1		
073	264025-0	HEX. NUT M10-17		1		
074	126114-8	CONTROLL LEVER ASSEMBLY		1		
D10		INC. 75-86,88,89				
075	188657-8	LEVER CASE SET		1	*	
D10		INC. 87				
075-1	183A09-4	LEVER CASE SET	S	1		
D10		INC. 87				
076	233540-5	TORSION SPRING 11		1		
077	451084-5	THROTTLE LEVER		1		
078	233541-3	TORSION SPRING 7		1		
079	451083-7	LOCK OFF LEVER		1		
080	453524-9	CORRUGATE TUBE		1		
081	168711-4	CONTROL CABLE		1		
082	451081-1	CABLE HOLDER		1		
083	451500-7	SWITCH LEVER		1		
084	232251-9	LEAF SPRING		1		
085	451253-8	SWITCH COVER		1	*	
085-1	455723-9	SWITCH COVER	S	1		
086	638972-5	LEAD UNIT		1		
087	188657-8	LEVER CASE SET		1	*	
D10		INC. 75				
087-1	183A09-4	LEVER CASE SET	S	1		
D10		INC. 75				

088	266326-2	TAPPING SCREW 4X18		3			
089	638973-3	LEAD UNIT		1			
101	922233-6	H.S.H.BOLT M5X20 WITH WR		1			
102	424302-4	PLUG CAP		1			
103	453535-4	CYLINDER COVER		1	*		
103-1	455103-9	CYLINDER COVER	S	1			
104	922233-6	H.S.H.BOLT M5X20 WITH WR		1			
105	453536-2	MUFFLER COVER		1			
106	265995-6	TAPPING SCREW 4X18		2			
107	922332-4	HEX. SOCKET HEAD BOLT M6X20		3			
108	168715-6	EXHAUST MUFFLER		1			
109	346574-0	MUFFLER GASKET		1			
110	331987-8	EXHAUST PORT SPACER		1			
111	922226-3	HEX. SOCKET HEAD BOLT M5X18		4			
112	318850-2	ROCKER COVER OUTER		1			
113	422091-5	TUBE 5-160		1			
114	454424-6	CORRUGATE TUBE		1			
115	453529-9	ROCKER COVER INNER		1			
116	162335-8	ROCKER COVER GASKET		1			
117	324891-8	PLUG CAP SPRING		1			
118	168401-9	SPARK PLUG		1			
119	422090-7	TUBE 3-85		1			
120	452049-0	SPACER		2			
121	135557-3	CYLINDER BLOCK ASSEMBLY		1	*		
D10		INC. 122-124					
121-1	135659-5	CYLINDER BLOCK ASS'Y	S	1			
D10		INC. 122-124					
122	424200-2	SPACER		2			
123	424201-0	CHECK VALVE		2			
124	922342-1	HEX. SOCKET HEAD BOLT M6X25		8	*		
124-1	266087-4	HEX.BOLT M6X25	<	8			
125	422099-9	PIPE		1			
126	282020-8	HOSE CLAMP		1	*		
126-1	282020-8	HOSE CLAMP	O	1			
127	424301-6	OIL TUBE		1	*		
127-1	125805-8	OIL TUBE ASSEMBLY	S	1			
C10	424301-6	OIL TUBE		1			
D10		INC. 126,128					
128	325666-8	OIL WEIGHT		1	*		
128-1	325666-8	OIL WEIGHT	O	1			
129	162337-4	OIL CASE GASKET		1			
130	266760-6	H.S.H.BOLT M5X18 WITH WRM		3			
131	452047-4	OIL CAP		1			
132	424343-0	GASKET		1			
133	453538-8	OIL PIPE		1			
134	162338-2	OIL PIPE GASKET		1			
135	318854-4	OIL CASE		1			
136	922226-3	HEX. SOCKET HEAD BOLT M5X18		4			
137	346305-7	GASKET		1			
138	266611-3	HEX BOLT M6X8		1			
139	346398-4	LEAD VALVE		1			

140	318851-0	RETAINER PLATE		1		
141	922226-3	HEX. SOCKET HEAD BOLT M5X18		1		
142	325665-0	JOINT PIPE		1		
143	168724-5	TUBE COMPLETE		1		
144	454426-2	SPIRAL TUBE 6-80		1		
145	163518-3	GASOLINE FILTER		1		
146	282020-8	HOSE CLAMP		1		
150	126119-8	STARTER COVER ASSEMBLY		1		
D10		INC. 151-157				
151	266634-1	SET SCREW M6X20		1	*	
151-1	SG00000013	SET SCREW M6X20	O	1		
152	452288-2	REEL		1		
153	232262-4	SPIRAL SPRING		1	*	
153-1	SG00000014	SPIRAL SPRING	O	1		
154	424361-8	STARTER KNOB		1		
155	424360-0	ROPE STOPPER		1		
156	444027-4	STARTER ROPE		1		
157	453534-6	STARTER COVER		1		
158	922233-6	H.S.H.BOLT M5X20 WITH WR		4		
160	126116-4	ROCKER ARM ASSEMBLY		2		
161	331990-9	COTTER		4		
162	331991-7	RETAINER		2		
163	234238-7	COMPRESSION SPRING 11		2		
164	256200-2	PIN 5		1		
165	256866-8	ROD 2.5		2		
166	268238-5	PIN 5		1		
167	313236-5	CAM LIFTER		2		
168	256186-0	PIN 5		1		
169	126115-6	CAM GEAR ASSEMBLY		1	*	
169-1	126495-0	CAM GEAR ASSEMBLY	<	1	*	
169-2	126556-6	CAMGEAR ASSEMBLY	<	1	*	
169-3	126571-0	CAMGEAR ASSEMBLY	<	1		
170	261127-3	FLUOROPLASTIC WASHER 10		1	*	
170-1	261127-3	FLUOROPLASTIC WASHER 10	O	1	*	
170-2	261127-3	FLUOROPLASTIC WASHER 10	O	1		
171	326158-0	EXHAUST VALVE		1	*	
171-1	326498-6	EXHAUST VALVE	S	1	*	
171-2	326575-4	EXHAUST VALVE	<	1		
172	326157-2	INTAKE VALVE		1		
173	196667-1	PISTON RING SET		1		
174	233983-1	CLIP		2		
175	318853-6	PISTON		1	*	
175-1	197455-9	PISTON SET	<	1		
C10	318853-6	PISTON		1		
D10		INC. 173,174				
176	268285-6	PISTON PIN		1		
177	213685-5	OIL SEAL 12		1		
178	126121-1	CRANK SHAFT ASSEMBLY		1		
D10		INC. 177,180,181				
179	254040-2	WOODRUFF KEY 3		1		
180	267425-3	FLAT WASHER 26		1		
181	213537-0	OIL SEAL 12		1		

182	266086-6	HEX. SOCKET HEAD BOLT M5X16		4		
183	318856-0	CAM GEAR COVER		1		
184	162334-0	CAM GEAR COVER GASKET		1		
185	638974-1	LEAD UNIT		1		
186	638975-9	LEAD UNIT		1		
187	444021-6	TUBE		1		
188	168714-8	IGNITION COIL		1		
189	266602-4	HEX. SOCKET HEAD BOLT M4X20		2		
190	126122-9	FLYWHEEL COMPLETE		1		
191	264075-5	COLLARD HEX NUT M8		1	*	
191-1	264039-9	CONED DISK SPRING HEXNUT M 8-13	<	1	*	
191-2	264039-9	CONED DISK SPRING HEXNUT M 8-13	<	1		
192	125728-0	FUEL TANK CAP ASSEMBLY		1	*	
192-1	127112-5	FUEL TANK CAP ASSEMBLY	O	1		
194	810455-9	CAUTION PLATE		1		
195	424081-4	BUFFER RUBBER		1		
196	897220-3	SERIAL NO. LABEL		1		
197	898842-2	GAS EMISSION APPROVAL LABEL		1	*	
198	922233-6	H.S.H.BOLT M5X20 WITH WR		1		
199	261152-4	RUBBER WASHER 8		1		
200	331988-6	SPACER		1		
201	168718-0	FUEL TANK		1	*	
201-1	168875-4	FUEL TANK	<	1		
202	922332-4	HEX. SOCKET HEAD BOLT M6X20		4		
203	318852-8	ENGINE BASE		1		
204	266597-1	SHOULDER HEX. BOLT M8		2		
205	267832-0	WAVE WASHER 10		2		
206	313238-1	CLUTCH SHOE		2		
207	231880-5	TENSION SPRING 5		2	*	
207-1	232290-9	TENSION SPRING 6	<	2		
208	267428-7	FLAT WASHER 8		2		
209	313239-9	CLUTCH BASE		1		
210	346576-6	FAN PLATE		1		
211	266461-6	H.S.BUTTON HEAD SCREW M5X8		2		
212	453530-4	MUFFLER PLATE		1		
213	922233-6	H.S.H.BOLT M5X20 WITH WR		1	*	
213-1	266760-6	H.S.H.BOLT M5X18 WITH WRM	<	1		
214	345918-1	HOSE CLAMP		1		
215	126118-0	CLEANER COVER ASSEMBLY		1	*	
C10	801544-5	INDICATION LABEL		1	*	
D10		INC. 216,217				
215-1	126474-8	CLEANER COVER ASSEMBLY	S	1	*	
C10	801544-5	INDICATION LABEL		1	*	
D10		INC. 216,217				
215-2	126523-1	CLEANER COVER ASSEMBLY	S	1		
D10		INC. 216,217				
216	266743-6	HEX.SOCKET HEAD BOLT M5X20		1	*	
216-1	266743-6	HEX.SOCKET HEAD BOLT M5X20	O	2		
217	898844-8	INDICATION LABEL		1		
218	442181-8	AIR CLEANER ELEMENT		1	*	

218-1	442181-8	AIR CLEANER ELEMENT	O	1			
219	266601-6	HEX. SOCKET HEAD BOLT M5X60		2	*		
219-1	266601-6	HEX. SOCKET HEAD BOLT M5X60	S	2			
220	443173-0	AIR CLEANER ELEMENT		1	*		
220-1	443196-8	AIR CLEANER ELEMENT	S	1			
221	126117-2	CLEANER PLATE ASSEMBLY		1	*		
D10		INC. 222-226					
221-1	123994-3	CLEANER PLATE ASSEMBLY	S	1			
D10		INC. 222-226					
222	162346-3	SEPARATOR PLATE		1			
223	352020-3	SEPARATOR MESH		1			
224	266007-8	TAPPING SCREW BIND PT 3X10		1			
225	453865-3	SEPARATOR CASE		1			
226	424316-3	CHECK VALVE		2			
227	454425-4	SPIRAL TUBE 6-100		1			
228	422074-5	TUBE 3-120		1			
229	168398-2	PRIMER PUMP		1			
230	442196-5	CARBURETOR GASKET		1			
231	126339-4	CARBURETOR ASSEMBLY		1	*		
231-1	126339-4	CARBURETOR ASSEMBLY	O	1			
232	345963-6	CLAMP		1			
233	266388-0	TAPPING SCREW 5X16		1			
234	442197-3	CARBURETOR GASKET		1			
235	922233-6	H.S.H.BOLT M5X20 WITH WR		2	*		
235-1	266814-9	HEX SOCKET HEAD BOLT M5X20	<	2			
236	424489-2	GROMMET		1			
237	422080-0	TUBE 3-35		1			
238	142128-9	INSULATOR COMPLETE		1	*		
238-1	142736-6	INSULATOR COMPLETE	S	1			
239	213642-3	O-RING 18		1			
240	819430-2	CAUTION TAG		1			
241	898805-8	EM4351UH MODEL NO. LABEL		1			
242	451825-9	CLAMP		1			
243	WJ00096589	SCREW ASSEMBLY		1			
244	WJ00021158	METERING DIAPHRAGM COVER		1			
245	168620-7	METERING DIAPHRAGM		1			
246	442183-4	METERING DIAPHRAGM GASKET		1			
247	WJ00014477	METERING LEVER PIN		1			
248	WJ00016648	LEVER		1			
249	WJ00983248	SPRING		1			
250	5416036160	PLUG-WELCH		1			
251	WJ00088229	CUP PLUG		1			
252	5806084330	STEEL BALL		1			
253	WJ00160593	ACCELERATOR PISTON ASSEMBLY		1			
254	WJ00983305	SPRING		1			
255	WJ00963240	SCREW		1			
256	WJ00343562	THROTTLE VALVE		1			
257	WJ01023345	HIGH SPEED NEEDLE		1			
258	WJ01023344	IDLE NEEDLE		1			
259	WJ00025162	LIMITER CAP		1			
260	257964-1	STOP RING E-3		1			

261	WJ00098494	SPRING		1		
262	WJ00224392	THROTTLE SHAFT ASSEMBLY		1		
263	413140-9	WASHER		1		
264	5246001210	SWIVEL		1		
265	5016004110	SCREW		1		
266	WJ00008282	INLET NEEDLE VALVE		1		
267	WJ00001673	RETAINING RING		1		
268	WJ00183585	CHOKE LEVER		1		
269	WJ00044456	CHOKE SHAFT		1		
270	5806122210	SPRING		1		
271	5806122220	BALL		1		
272	WJ00006295	CHOKE VALVE		1		
273	WJ00096475	SCREW		1		
274	352010-6	INLET SCREEN		1	*	
274-1	WJ00014070	INLET SCREEN	O	1		
275	WJ00009589	PUMP DIAPHRAGM		1		
276	WJ00092228	GASKET		1		
277	234183-6	CONICAL COMPRESSION SPRING 5-9		1		
278	WJ00213807	PUMP COVER ASSEMBLY		1		
279	WJ00096166	SCREW		1		
280	WJ00098217	SPRING		1		
281	WJ00096368	IDLE ADJUST SCREW		1		
282	455102-1	CHANGE PLATE	S	1		
283	266385-6	TAPPING SCREW 4X14	S	1		
284	267485-5	FLAT WASHER 5	S	2		
285	257903-1	STOP RING E-2.3	S	1		
286	941101-4	FLAT WASHER 5	S	1		
287	922353-6	HEX.SOCKET HEAD BOLT M6X30	S	1		
A01	196129-9	BAND ASSEMBLY SET		1		
C10	126126-1	BAND ASSEMBLY		1		
A02	451252-0	TOOL COVER		1		
A03	195501-2	OIL SET		1	*	
A03-1	197008-4	OIL SET	O	1	*	
A03-2	191A19-7	OIL SET	O	1	*	
A03-3	197008-4	OIL SET	O	1		
A04	782233-6	BOX DRIVER 10-16		1		
A05	783223-2	HEX. WRENCH 4		1		
A06	783232-1	HEX. WRENCH 5		1		
A07	782238-6	BOX WRENCH 17		1		
A08	831304-7	ACCESSORY BAG		1		
A09	122882-1	CUTTER ASSEMBLY		1		
A10	196242-3	CUTTER 200 SET		1		
A11	318942-7	PROTECTOR 200		1		
A12	332051-8	RECEIVE WASHER		1		
A13	450573-7	TOOL COVER		2	*	
A13-1	456924-2	TOOL COVER	O	1		
F16	199378-7	BAND ASSEMBLY SET		1		

Please state Parts No. when your order.

Print Date 23/10/2023