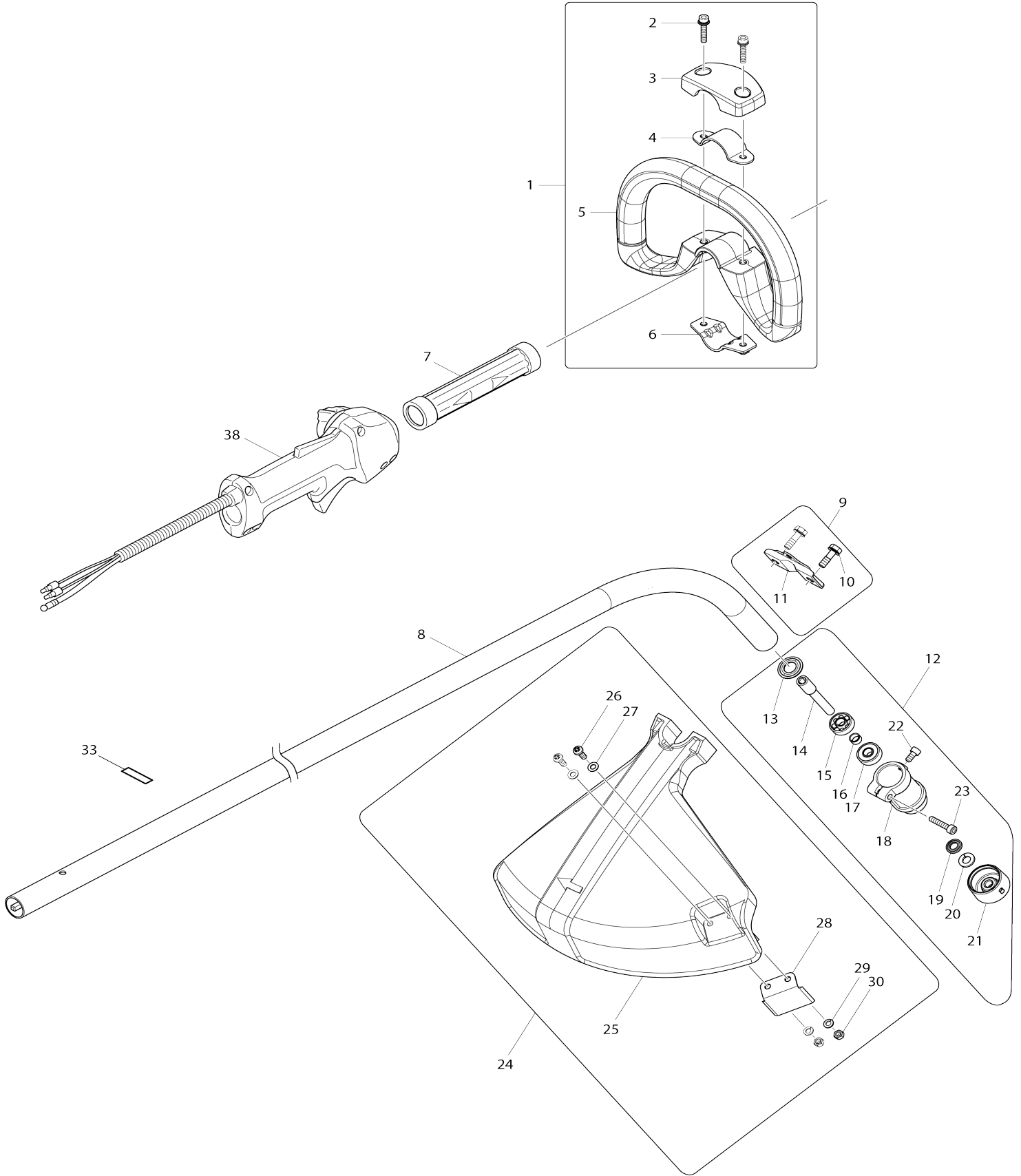
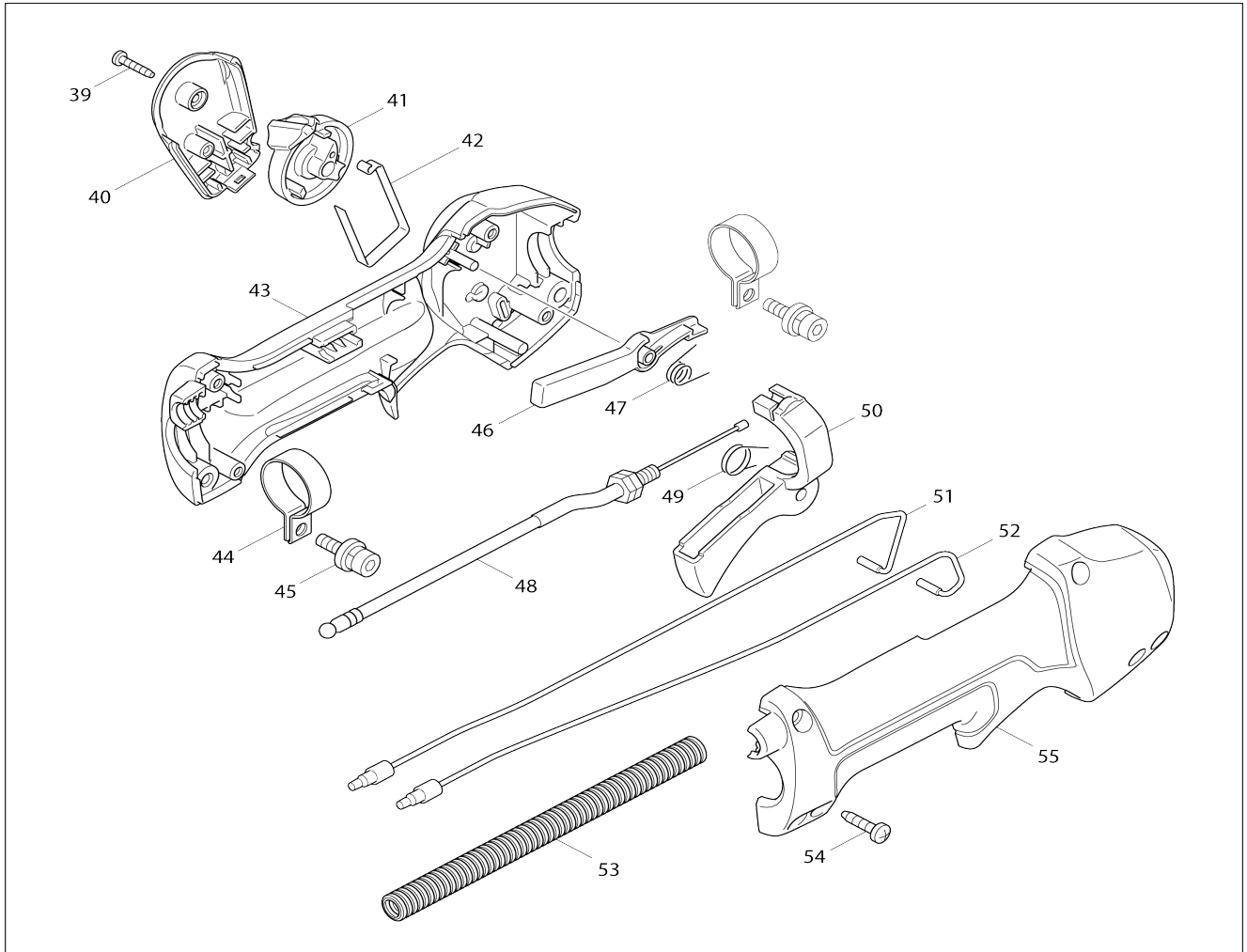


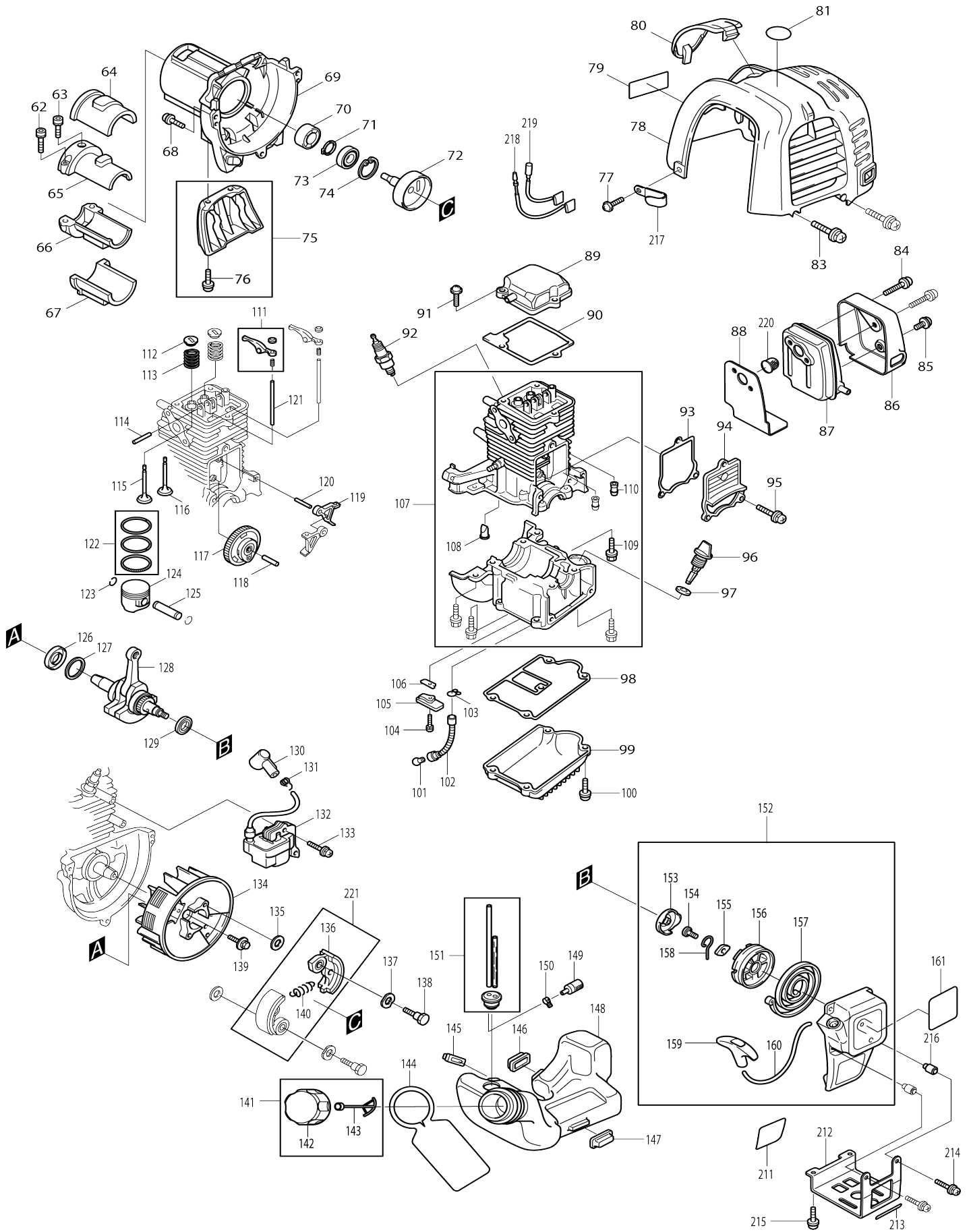
Model No.ER2550LH PETROL STRING TRIMMER



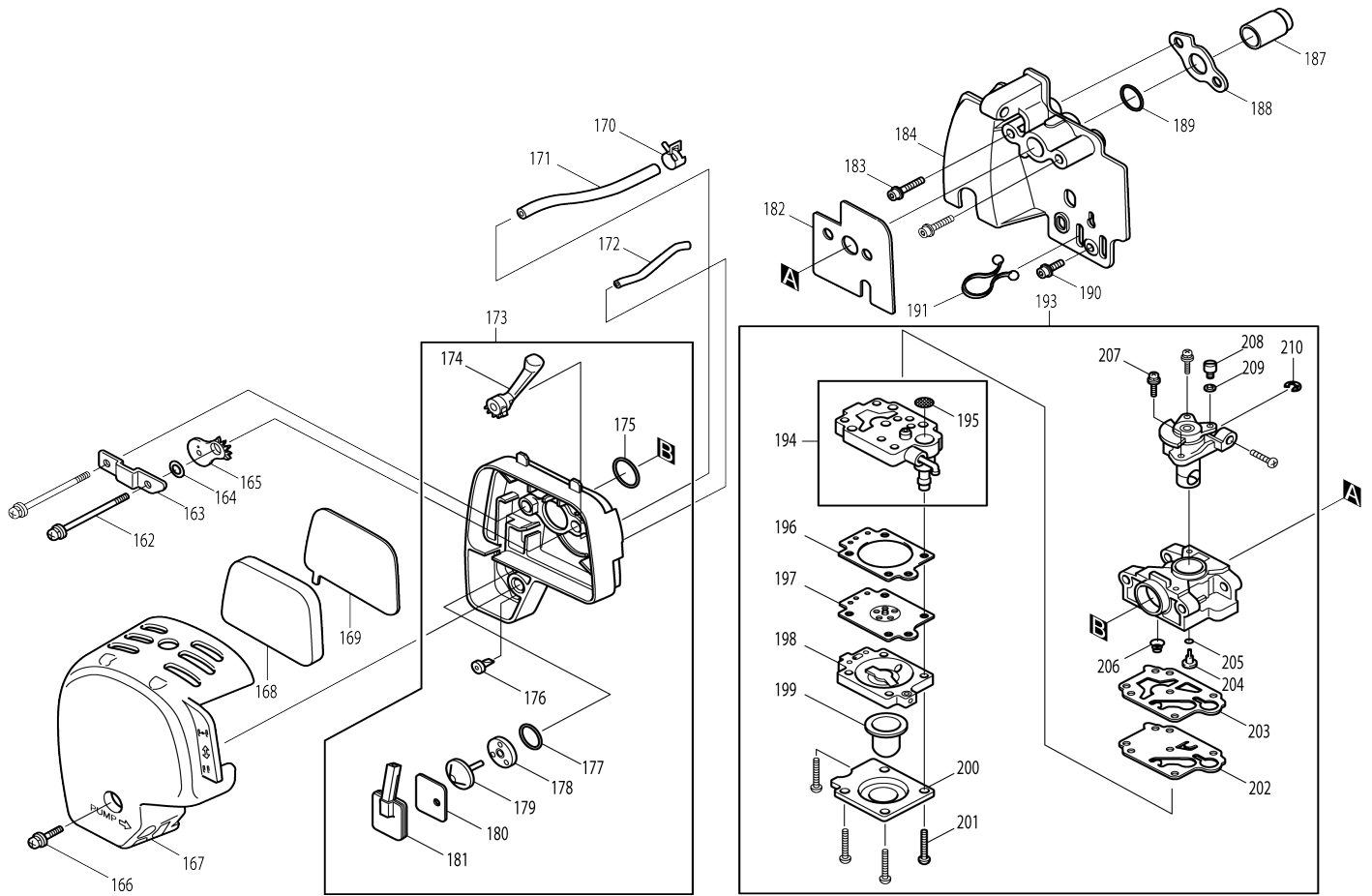
Model No.ER2550LH PETROL STRING TRIMMER



Model No.ER2550LH PETROL STRING TRIMMER



Model No.ER2550LH PETROL STRING TRIMMER



Model No.ER2550LH PETROL STRING TRIMMER

Item No.	Parts No.	Description	Interchangability	Q'ty	New/Old	Note1	Note2
001	195626-2	LOOP HANDLE SET		1			
D10		INC. 2-6					
002	922243-3	HEX. SOCKET HEAD BOLT M5X25		2			
003	452843-0	CLAMP COVER B		1			
004	346468-9	CLAMP 33		1	*		
004-1	346468-9	CLAMP 33	O	1			
005	452841-4	LOOP HANDLE		1			
006	346467-1	CLAMP 24		1	*		
006-1	346467-1	CLAMP 24	O	1	*		
006-2	347094-7	CLAMP 24	O	1			
007	450659-7	SPACER		1			
008	141497-5	BENT PIPE COMPLETE		1			
C10	893144-1	CAUTION LABEL		1			
009	141014-1	CLAMP COMPLETE		1			
D10		INC. 10,11					
010	266775-3	HEX BOLT M6X20 WR		2	*		
011	346469-7	CLAMP		1	*		
012	141013-3	HEAD CASE COMPLETE		1	*		
D10		INC. 13-23					
012-1	141894-5	HEAD CASE COMPLETE	S	1			
D10		INC. 14-21,23					
013	267845-1	BEARING WASHER		1	*		
013-1	267845-1	BEARING WASHER	O	1			
014	326195-4	CUTTER SHAFT		1			
015	211368-1	BALL BEARING 608ZZ		1			
016	257335-2	COLLAR		1			
017	211367-3	BALL BEARING 608DDW		1			
018	318900-3	HEAD CASE		1			
019	267844-3	WASHER		1			
020	267846-9	SPRING WASHER M8		1			
021	318901-1	CUTTER HOLDER		1			
022	922207-7	HEX. SOCKET HEAD BOLT M5X10		1	*		
022-1	922207-7	HEX. SOCKET HEAD BOLT M5X10	O	1			
023	922242-5	HEX. SOCKET HEAD BOLT M5X25		1			
024	141015-9	PROTECTOR COMPLETE		1			
D10		INC. 25-30					
025	453782-7	SAFETY COVER		1			
026	266776-1	SCREW M5X14		2			
027	267842-7	WASHER M5		2			
028	346612-8	CUTTER		1			
029	267843-5	SPRING WASHER M5		2			
030	264079-7	NUT M5		2			
033	819760-1	DATE CODE LABEL		1	*		
033-1	801D20-9	SERIAL NO. LABEL	<	1			
034	819430-2	CAUTION TAG		1			
038	125759-9	CONTROL LEVER ASSEMBLY		1	*		
D10		INC. 39-55					

038-1	126487-9	CONTROL LEVER ASSEMBLY	<	1		
D10		INC. 39-55				
039	266130-9	TAPPING SCREW BIND PT 3X16		1		
040	451595-0	SWITCH COVER		1		
041	451594-2	SWITCH LEVER		1		
042	232251-9	LEAF SPRING		1		
043	188832-6	LEVER CASE SET		1		
D10		INC. 55				
044	346248-3	CLAMP 24		2	*	
044-1	346248-3	CLAMP 24	O	2		
045	922218-2	H.S.H.BOLT M5X14 WITH WR		2		
046	451593-4	LOCK LEVER		1		
047	233541-3	TORSION SPRING 7		1		
048	168549-7	CONTROL CABLE		1		
049	233540-5	TORSION SPRING 11		1		
050	451592-6	THROTTLE LEVER		1	*	
050-1	455313-8	THROTTLE LEVER	<	1		
051	638676-9	LEAD UNIT		1		
052	638677-7	LEAD UNIT		1		
053	451602-9	CORRUGATE TUBE		1		
054	266326-2	TAPPING SCREW 4X18		4	*	
054-1	265A48-7	TAPPING SCREW 4X18	O	4		
055	188832-6	LEVER CASE SET		1		
D10		INC. 43				
062	922226-3	HEX. SOCKET HEAD BOLT M5X18		2		
063	922211-6	H.S.H.BOLT M5X12 WITH W		1		
064	424191-7	PIPE DAMPER 1		1		
065	318270-0	PIPE BRACKET 1		1		
066	318271-8	PIPE BRACKET 2		1		
067	424107-2	PIPE DAMPER 2		1		
068	922222-1	HEX. SOCKET HEAD BOLT M5X16		3		
069	318329-3	CLUTCH CASE		1		
070	450569-8	SPACER		1	*	
070-1	450569-8	SPACER	O	1		
071	961052-5	RETAINING RING (EXT) S-12		1		
072	168710-6	CLUTCH DRUM COMPLETE		1		
073	210111-5	BALL BEARING 6201LLU		1		
074	962151-6	RETAINING RING R-32		1		
075	195144-0	STAND SET		1		
D10		INC. 76				
076	911218-7	PAN HEAD SCREW M5X14		2		
077	911213-7	PAN HEAD SCREW M5X12		2		
078	450654-7	CYLINDER COVER		1		
079	819312-8	MAKITA LOGO LABEL		1		
080	450568-0	PLUG COVER		1	*	
080-1	452144-6	PLUG COVER	O	1		
083	911128-8	P.H.SCREW M4X16 WITH WR		2		
084	266440-4	HEX SOCKET HEAD BOLT M5X40		2		
085	265184-3	+TRUSS HEAD SCREW M5X5		1		
086	345915-7	MUFFLER COVER		1		
087	168469-5	EXHAUST MUFFLER		1		
088	345916-5	MUFFLER GASKET		1		

089	140023-7	ROCKER COVER COMPLETE		1	*		
089-1	140B46-7	ROCKER COVER COMPLETE	<	1			
090	162275-0	ROCKER COVER GASKET		1			
091	922223-9	H.S.H.BOLT M5X16 WITH WR		3			
092	168534-0	SPARK PLUG		1			
093	162274-2	CAM GEAR COVER GASKET		1			
094	318443-5	CAM GEAR COVER		1			
095	922217-4	HEX. SOCKET HEAD BOLT M5X14		3			
096	450565-6	OIL GAUGE		1			
097	424100-6	GASKET		1			
098	162276-8	CASE GASKET		1			
099	318442-7	OIL CASE		1			
100	922217-4	HEX. SOCKET HEAD BOLT M5X14		4			
101	325666-8	OIL WEIGHT		1			
102	424202-8	OIL TUBE		1			
103	282020-8	HOSE CLAMP		1			
104	922112-8	HEX. SOCKET HEAD BOLT M4X10		1			
105	318440-1	RETAINER PLATE		1			
106	346083-9	LEAD VALVE		1			
107	135375-9	CYLINDER BLOCK ASSEMBLY		1			
D10		INC. 108-110					
108	424201-0	CHECK VALVE		2			
109	922217-4	HEX. SOCKET HEAD BOLT M5X14		8			
110	424200-2	SPACER		2			
111	125554-7	ROCKER ARM ASSEMBLY		2			
112	325668-4	SPRING RETAINER		2			
113	234108-0	COMPRESSION SPRING 9		2			
114	256200-2	PIN 5		1			
115	325670-7	INTAKE VALVE		1	*		
115-1	326367-1	INTAKE VALVE	O	1			
116	325669-2	EXHAUST VALVE		1	*		
116-1	326366-3	EXHAUST VALVE	O	1			
117	125552-1	CAM GEAR ASSEMBLY		1			
118	268238-5	PIN 5		1			
119	313169-4	CAM LIFTER		2			
120	268239-3	PIN 4		1			
121	256865-0	ROD 2.5		2			
122	195145-8	PISTON RING SET		1	*		
122-1	196595-0	PISTON RING SET	O	1			
123	233976-8	CLIP		2			
124	318441-9	PISTON		1			
125	257781-9	PISTON PIN		1			
126	213147-3	OIL SEAL 12		1	*		
126-1	213089-1	OIL SEAL 12	<	1			
127	267400-9	FLAT WASHER 23		1			
128	135374-1	CRANKSHAFT ASSEMBLY		1	*		
128-1	135539-5	CRANKSHAFT ASSEMBLY	O	1			
129	213148-1	OIL SEAL 10		1	*		
129-1	213769-9	OIL SEAL 10	<	1			
130	424105-6	PLUG CAP		1			
131	324891-8	PLUG CAP SPRING		1			

132	168501-5	IGNITION COIL		1	*		
132-1	168816-0	IGNITION COIL	S	1			
133	922138-0	H.S.H.BOLT M4X20 WITH WR		2			
134	318343-9	FLYWHEEL		1	*		
134-1	319012-5	FLYWHEEL	O	1			
135	267812-6	WASHER 6		2			
136	168498-8	CLUTCH SHOE		2	*		
136-1	161332-1	CLUTCH SHOE	O	2			
137	267817-6	WASHER 8		2			
138	266457-7	SHOULDER HEX. BOLT M6X25		2	*		
138-1	266864-4	SHOULDER HEX. BOLT M6X25	O	2			
139	265577-4	HEX HEAD BOLT M6X16		1			
140	231858-8	TENSION SPRING 6		1	*		
140-1	231881-3	TENSION SPRING 7	<	1			
141	125472-9	FUEL TANK CAP ASSEMBLY		1			
D10		INC. 142,143					
142	140435-4	FUEL TANK CAP		1			
143	140436-2	STRAP COMPLETE		1			
144	810455-9	CAUTION PLATE		1			
145	424102-2	PLATE		1			
146	424103-0	PLATE		1			
147	424104-8	DAMPER		1			
148	450566-4	FUEL TANK		1			
149	163447-0	FUEL FILTER		1	*		
149-1	163447-0	FUEL FILTER	O	1			
150	345920-4	HOSE CLAMP		1			
151	168472-6	TUBE COMPLETE		1			
152	195146-6	RECOIL STARTER SET		1			
D10		INC. 153-160					
153	168483-1	PULLEY		1			
154	266585-8	TAPPING SCREW 5X12		1			
155	451938-6	COLLAR		1			
156	451937-8	REEL		1			
157	232258-5	SPIRAL SPRING		1			
158	325923-4	SWING ARM		1			
159	424319-7	STARTER KNOB		1			
160	444019-3	STARTER ROPE		1			
161	893142-5	ER2550LH MODEL NO. LABEL		1			
162	265188-5	+PAN HEAD SCREW M5X68		2			
163	345919-9	PLATE		1			
164	423376-2	GASKET		1			
165	450560-6	CHOKE PLATE		1			
166	911218-7	PAN HEAD SCREW M5X14		1			
167	450561-4	AIR CLEANER COVER		1			
168	443141-3	AIR CLEANER ELEMENT		1			
169	443140-5	AIR CLEANER ELEMENT		1			
170	345918-1	HOSE CLAMP		1			
171	422041-0	BREATHER PIPE		1			
172	422042-8	PIPE		1			
173	125468-0	CLEANER PLATE ASSEMBLY		1			
C10	140814-6	AIR CLEANER PLATE COMPLETE		1			
D10		INC. 174-181					

174	451925-5	CHOKE LEVER		1			
175	213540-1	O RING 15		1			
176	424316-3	CHECK VALVE		1			
177	213539-6	O RING 14		1			
178	451924-7	CHECK VALVE PLATE		1			
179	424315-5	CHECK VALVE		1			
180	168577-2	SEPARATOR GASKET		1			
181	168576-4	SEPARATOR PLATE		1			
182	413121-3	CARBURETOR GASKET		1			
183	922228-9	H.S.H.BOLT M5X18 WITH WR		2			
184	450559-1	INSULATOR		1			
187	324961-3	INTAKE PIPE		1			
188	413120-5	INSULATOR GASKET		1			
189	213078-6	O-RING 10		1			
190	922213-2	H.S.H.BOLT M5X12 WITH WR		1			
191	450562-2	CLAMP		1			
193	168497-0	CARBURETOR		1			
D10		INC. 194,196-210					
194	140437-0	PUMP BODY		1			
D10		INC. 195					
195	352010-6	INLET SCREEN		1	*		
195-1	WJ00014070	INLET SCREEN	O	1			
196	442154-1	METERING DIAPHRAGM GASKET		1			
197	168574-8	METERING DIAPHRAGM		1	*		
197-1	WJ00963279	SCREW	O	1	*		
197-2	WJ00095586	DIAPHRAGM ASS'Y	X	1			
198	140438-8	AIR PURGE BODY		1			
199	424314-7	PRIMER PUMP		1			
200	346270-0	PRIMER PUMP COVER		1			
201	266582-4	TAPPING SCREW 3X24		4			
202	168575-6	PUMP DIAPHRAGM		1	*		
202-1	WJ00009599	PUMP DIAPHRAGM	O	1			
203	442155-9	PUMP GASKET		1			
204	325924-2	JET		1			
205	213538-8	O RING 2		1			
206	234183-6	CONICAL COMPRESSION SPRING 5-9		1			
207	266581-6	PAN HEAD SCREW M3X8 WITH W		2	*		
207-1	WJ00096364	SCREW M3X8 WITH WASHER	O	2			
208	325922-6	SWIVEL		1			
209	413140-9	WASHER		1			
210	257964-1	STOP RING E-3		1			
211	806902-6	GAS EMISSION APPROVAL LABEL		1	*		
211-1	806902-6	GAS EMISSION APPROVAL LABEL	O	1	*		
212	345964-4	TANK GUARD		1			
213	814998-3	SERIAL LABEL		1			
214	911148-2	PAN HEAD SCREW M4X25		2			
215	911213-7	PAN HEAD SCREW M5X12		2			
216	331835-1	SPACER		2			
217	345963-6	CLAMP		1			
218	638664-6	LEAD UNIT		1	*		
218-1	632E38-3	LEAD UNIT	S	1			

219	638665-4	LEAD UNIT		1	*		
219-1	632E39-1	LEAD UNIT	S	1			
220	324980-9	SPARK ARRESTER		1			
221	125518-1	CLUTCH ASSEMBLY		1	*		
D10		INC. 136,140					
221-1	126135-0	CLUTCH ASSEMBLY	<	1			
D10		INC. 136,140					
A01	123163-6	TRIMMER HEAD ASSEMBLY 95-M 8R		1			
A02	195500-4	OIL SET		1	*		
A02-1	196121-5	OIL SET	O	1			
A03	831304-7	ACCESSORY BAG		1			
A04	256530-1	PIN 4		1	*		
A05	782233-6	BOX DRIVER 10-16		1			
A06	783223-2	HEX. WRENCH 4		1			

Please state Parts No. when your order.

Print Date 10/26/2023