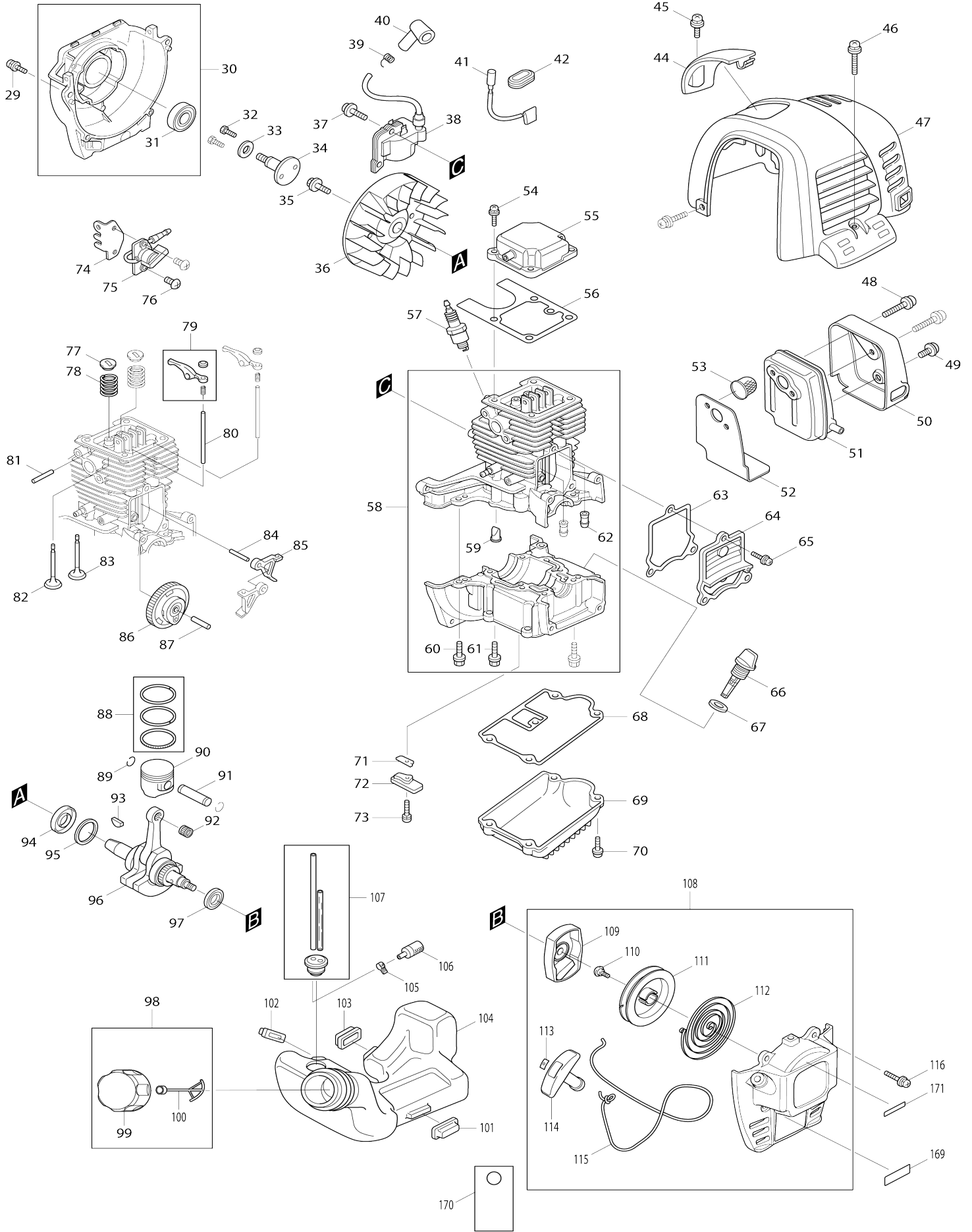
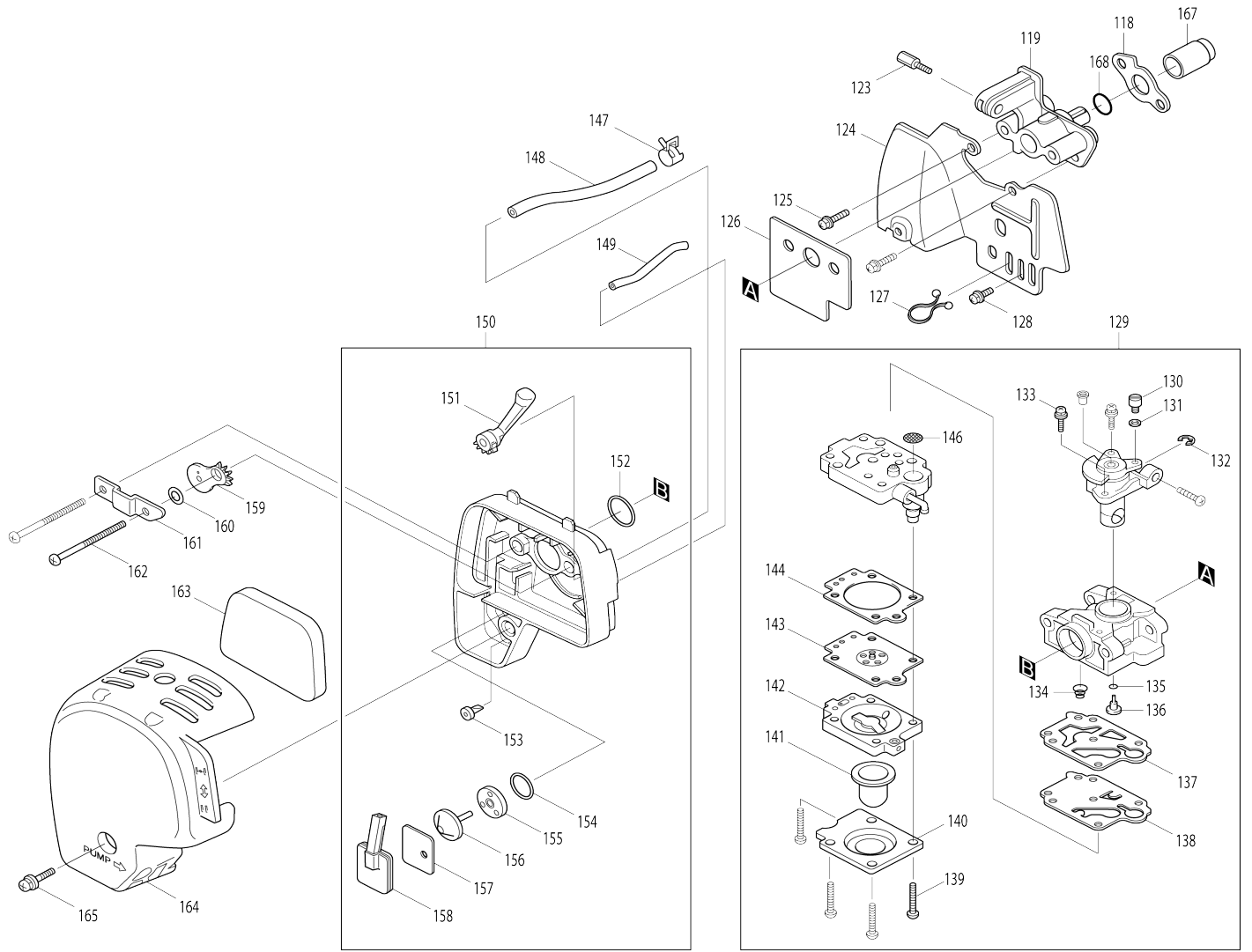


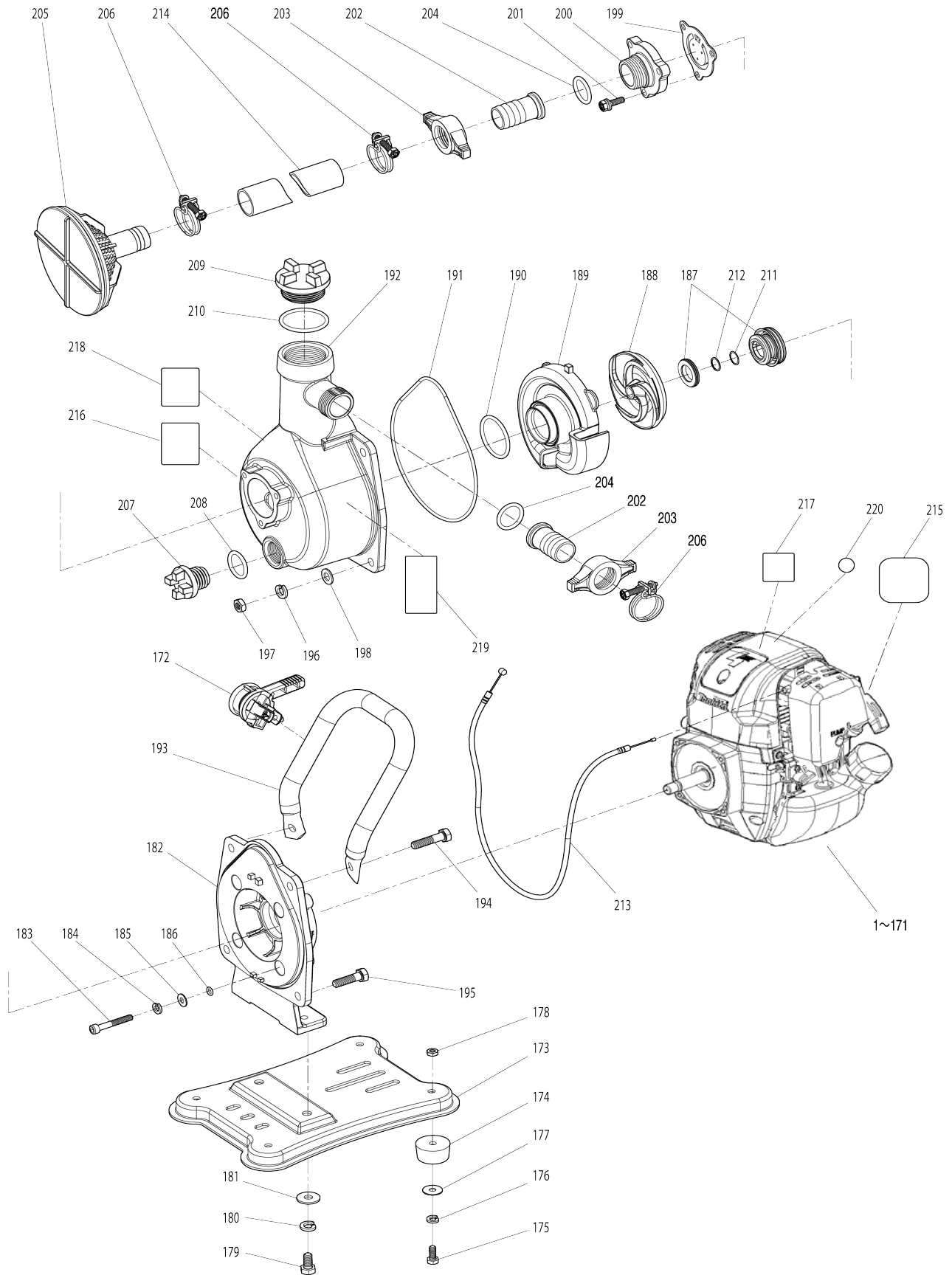
Model No.EW1060H ENGINE PUMP



Model No.EW1060H ENGINE PUMP



Model No.EW1060H ENGINE PUMP



Model No.EW1060H ENGINE PUMP

Item No.	Parts No.	Description	Interchangability	Q'ty	New/Old	Note1	Note2
029	922223-9	H.S.H.BOLT M5X16 WITH WR		4			
030	141768-0	Blower housing complete		1			
D10		INC. 31					
031	211243-1	BALL BEARING 6002ZZ		1			
032	922442-7	HEX. SOCKET HEAD BOLT M8X25		2			
033	257339-4	RING 17		1			
034	326224-3	SHAFT		1			
035	265577-4	HEX HEAD BOLT M6X16		1			
036	318939-6	FLYWHEEL		1	*		
036-1	319036-1	FLYWHEEL	O	1			
037	922138-0	H.S.H.BOLT M4X20 WITH WR		2			
038	168501-5	IGNITION COIL		1	*		
038-1	168816-0	IGNITION COIL	S	1			
039	324891-8	PLUG CAP SPRING		1			
040	424105-6	PLUG CAP		1			
041	638665-4	LEAD UNIT		1	*		
041-1	632E39-1	LEAD UNIT	S	1			
042	424313-9	GROMMET		1			
044	451876-2	PLUG COVER		1			
045	266572-7	+ TRUSS HEAD SCREW M5X8		1			
046	911213-7	PAN HEAD SCREW M5X12		3			
047	451875-4	CYLINDER COVER		1			
048	266440-4	HEX SOCKET HEAD BOLT M5X40		2			
049	265184-3	+TRUSS HEAD SCREW M5X5		1			
050	345915-7	MUFFLER COVER		1			
051	168469-5	EXHAUST MUFFLER		1			
052	345916-5	MUFFLER GASKET		1			
053	324980-9	SPARK ARRESTER		1			
054	922217-4	HEX. SOCKET HEAD BOLT M5X14		4			
055	140419-2	ROCKER COVER COMPLETE		1			
056	162307-3	ROCKER COVER GASKET		1			
057	168401-9	SPARK PLUG		1			
058	135563-8	CYLINDER BLOCK ASSEMBLY		1			
D10		INC. 59-62					
059	424201-0	CHECK VALVE		2			
060	922222-1	HEX. SOCKET HEAD BOLT M5X16		4			
061	266573-5	HEX. SOCKET HEAD BOLT M5X33		4			
062	424200-2	SPACER		2			
063	162274-2	CAM GEAR COVER GASKET		1			
064	318443-5	CAM GEAR COVER		1			
065	922212-4	HEX. SOCKET HEAD BOLT M5X12		3			
066	450565-6	OIL GAUGE		1			
067	424100-6	GASKET		1			
068	162308-1	CASE GASKET		1			
069	318612-8	OIL CASE		1			
070	922217-4	HEX. SOCKET HEAD BOLT M5X14		4			
071	346083-9	LEAD VALVE		1			

072	318440-1	RETAINER PLATE		1		
073	922112-8	HEX. SOCKET HEAD BOLT M4X10		1		
074	346640-3	PLATE		1		
075	126241-1	SWITCH ASSEMBLY		1	*	
075-1	126241-1	SWITCH ASSEMBLY	O	1		
076	911107-6	PAN HEAD SCREW M4X8		2		
077	325912-9	SPRING RETAINER		2		
078	234181-0	COMPRESSION SPRING 11		2	*	
078-1	234181-0	COMPRESSION SPRING 11	O	2		
079	125554-7	ROCKER ARM ASSEMBLY		2		
080	256866-8	ROD 2.5		2		
081	256200-2	PIN 5		1		
082	325914-5	INTAKE VALVE		1		
083	325913-7	EXHAUST VALVE		1		
084	268239-3	PIN 4		1		
085	313169-4	CAM LIFTER		2		
086	125552-1	CAM GEAR ASSEMBLY		1		
087	268238-5	PIN 5		1		
088	195141-6	PISTON RING SET		1		
089	233983-1	CLIP		2		
090	318613-6	PISTON		1		
091	257796-6	PISTON PIN		1		
092	212085-6	NEEDLE CAGE1014		1		
093	254040-2	WOODRUFF KEY 3		1		
094	213537-0	OIL SEAL 12		1		
095	267425-3	FLAT WASHER 26		1		
096	141767-2	CRANK SHAFT COMPLETE		1	*	
096-1	126559-0	CRANKSHAFT ASSEMBLY	O	1		
097	213148-1	OIL SEAL 10		1	*	
097-1	213769-9	OIL SEAL 10	<	1		
098	125472-9	FUEL TANK CAP ASSEMBLY		1		
D10		INC, 99.100				
099	140435-4	FUEL TANK CAP		1		
100	140436-2	STRAP COMPLETE		1		
101	424104-8	DAMPER		1		
102	424102-2	PLATE		1		
103	424103-0	PLATE		1		
104	451877-0	FUEL TANK		1		
105	345920-4	HOSE CLAMP		1		
106	163447-0	FUEL FILTER		1	*	
106-1	163447-0	FUEL FILTER	O	1		
107	162309-9	TUBE		1		
108	195142-4	RECOIL STARTER SET		1		
D10		INC, 109-115				
109	165606-2	PULLEY		1	*	
109-1	168827-5	PULLEY	O	1		
110	266580-8	TAPPING SCREW 5X10		1		
111	451923-9	REEL		1		
112	232257-7	SPIRAL SPRING		1		
114	424317-1	STARTER KNOB		1		
115	444018-5	STARTER ROPE		1		
116	911218-7	PAN HEAD SCREW M5X14		1		

118	413120-5	INSULATOR GASKET		1		
119	451874-6	INSULATOR		1		
123	325934-9	ADJUST SCREW		1		
124	346261-1	CARBURETOR INSULATOR		1		
125	922228-9	H.S.H.BOLT M5X18 WITH WR		2		
126	413138-6	CARBURETOR GASKET		1		
127	450562-2	CLAMP		1		
128	922213-2	H.S.H.BOLT M5X12 WITH WR		1		
129	168783-9	CARBURETOR		1		
D10		INC, 130-135,137-144,146				
130	325922-6	SWIVEL		1		
131	413140-9	WASHER		1		
132	257964-1	STOP RING E-3		1		
133	266581-6	PAN HEAD SCREW M3X8 WITH W		2	*	
133-1	WJ00096364	SCREW M3X8 WITH WASHER	O	2		
134	234183-6	CONICAL COMPRESSION SPRING 5-9		1		
135	213538-8	O RING 2		1		
137	442155-9	PUMP GASKET		1		
138	168575-6	PUMP DIAPHRAGM		1	*	
138-1	WJ00009599	PUMP DIAPHRAGM	O	1		
139	266582-4	TAPPING SCREW 3X24		4		
140	346270-0	PRIMER PUMP COVER		1		
141	424314-7	PRIMER PUMP		1		
142	140438-8	AIR PURGE BODY		1		
143	168574-8	METERING DIAPHRAGM		1	*	
143-1	WJ00963279	SCREW	O	1	*	
143-2	WJ00095586	DIAPHRAGM ASS'Y	X	1		
144	442154-1	METERING DIAPHRAGM GASKET		1		
146	352010-6	INLET SCREEN		1	*	
146-1	WJ00014070	INLET SCREEN	O	1		
147	345918-1	HOSE CLAMP		1		
148	422055-9	BREATHER PIPE		1		
149	422042-8	PIPE		1		
150	125468-0	CLEANER PLATE ASSEMBLY		1		
D10		INC, 151-158				
151	451925-5	CHOKE LEVER		1		
152	213540-1	O RING 15		1		
153	424316-3	CHECK VALVE		1		
154	213539-6	O RING 14		1		
155	451924-7	CHECK VALVE PLATE		1		
156	424315-5	CHECK VALVE		1		
157	168577-2	SEPARATOR GASKET		1		
158	168576-4	SEPARATOR PLATE		1		
159	450560-6	CHOKE PLATE		1		
160	423376-2	GASKET		1		
161	345919-9	PLATE		1		
162	265188-5	+PAN HEAD SCREW M5X68		2		
163	443141-3	AIR CLEANER ELEMENT		1		
164	450561-4	AIR CLEANER COVER		1		
165	911218-7	PAN HEAD SCREW M5X14		4		
167	325915-3	INTAKE PIPE		1		

168	213078-6	O-RING 10		1		
170	819430-2	CAUTION TAG		1		
171	897795-2	Serial no. Label		1		
172	ME08121070	REFUELING HANDLE GROUP		1		
173	ME08122002	BASE		1		
174	ME08122003	RUBBER FEET		4		
175	ME08122004	HEXAGON BOLT		4		
176	ME08122005	WAD		4		
177	ME08122006	GASKET		4		
178	ME08122007	HEXAGON NUT		4		
179	ME08122008	HEXAGON BOLT		2		
180	ME00200117	WAD		2		
181	ME08122040	GASKET		2		
182	ME08122010	PUMP FRAME		1		
183	ME08122011	HEXAGON SOCKET SCREW		4		
184	ME08122012	WAD		4		
185	ME08122013	GASKET		4		
186	ME08122014	O-RING		4		
187	ME08122015	MECHANICAL OIL SEAL		1		
188	ME08122016	IMPELLER		1		
189	ME08122017	VOLUTE		1		
190	ME08122018	O-RING		1		
191	ME01676320	O-RING		1		
192	ME08122019	PUMP CASING		1		
193	ME08121006	HANDLE		1		
194	ME00200116	HEXAGON BOLT		2		
195	ME08122020	HEXAGON BOLT		2		
196	ME00200117	WAD		4		
197	ME01676323	HEXAGON NUT		4		
198	ME00200091	FLAT GASKET		4		
199	ME08121007	VALVE		1		
200	ME08121008	TUBE JOINT BOLT		1		
201	ME00200011	HEXAGON BOLT		3		
202	ME01676327	TUBE JOINT CORE		2		
203	ME08121009	LOCKNUT		2		
204	ME08121044	SEAL RING		2		
205	ME01689268	STRAINER GROUP		1		
206	ME01676330	HOOP		3		
207	ME01676331	WATER BLOCK		1		
208	ME01676329	O-RING		1		
209	ME08122021	WATER BLOCK		1		
210	ME08122018	O-RING		1		
211	ME08122050	GASKET		99	*	
211-1	ME08122050	GASKET	O	99		
212	ME08122051	GASKET		99	*	
212-1	ME08122051	GASKET	O	99		
213	ME08122055	REFUELING WINDING		1		
214	ME01676336	SUCTION PIPE		1		
215	ME08121013	NOTE LABEL		1		
216	ME08121014	NOTE LABEL		1		
217	ME08121030	NOTE LABEL		1		

218	ME08121035	NOTE LABEL		1		
219	ME03333192	NOTE LABEL		1		
A01	ME08121017	SOCKET WRENCH		1		
A02	ME08121040	RAPID JOINT GROUP		1		
D10		INC. A03,A04				
A03	ME08121044	SEAL RING		1		
A04	ME08121045	SEAL RING		1		
A05	ME08121051	JOINT CORE		1		
D10		INC. A06,A07				
A06	ME08121052	CONNECTOR NUT		1		
A07	ME08121044	SEAL RING		1		
A08	ME08121053	HOOP		1		
A09	ME08122060	THE PIPE GROUP		1		
D10		INC. A10,A11				
A10	ME08121044	SEAL RING		1		
A11	ME08122068	O-RING		1		
A12	ME08122030	GUN GROUP		1		
D10		INC. A13-A15				
A13	ME08122032	GUN GLOVES		1		
A14	ME08122034	ROUND HEAD SCREW		1		
A15	ME08122035	O-RING		1		
A16	ME08121060	CROSS OVER SUB		1		
A17	ME08121044	SEAL RING		1		
A18	ME08121080	OILER		1		

Please state Parts No. when your order.

Print Date 23/10/2023