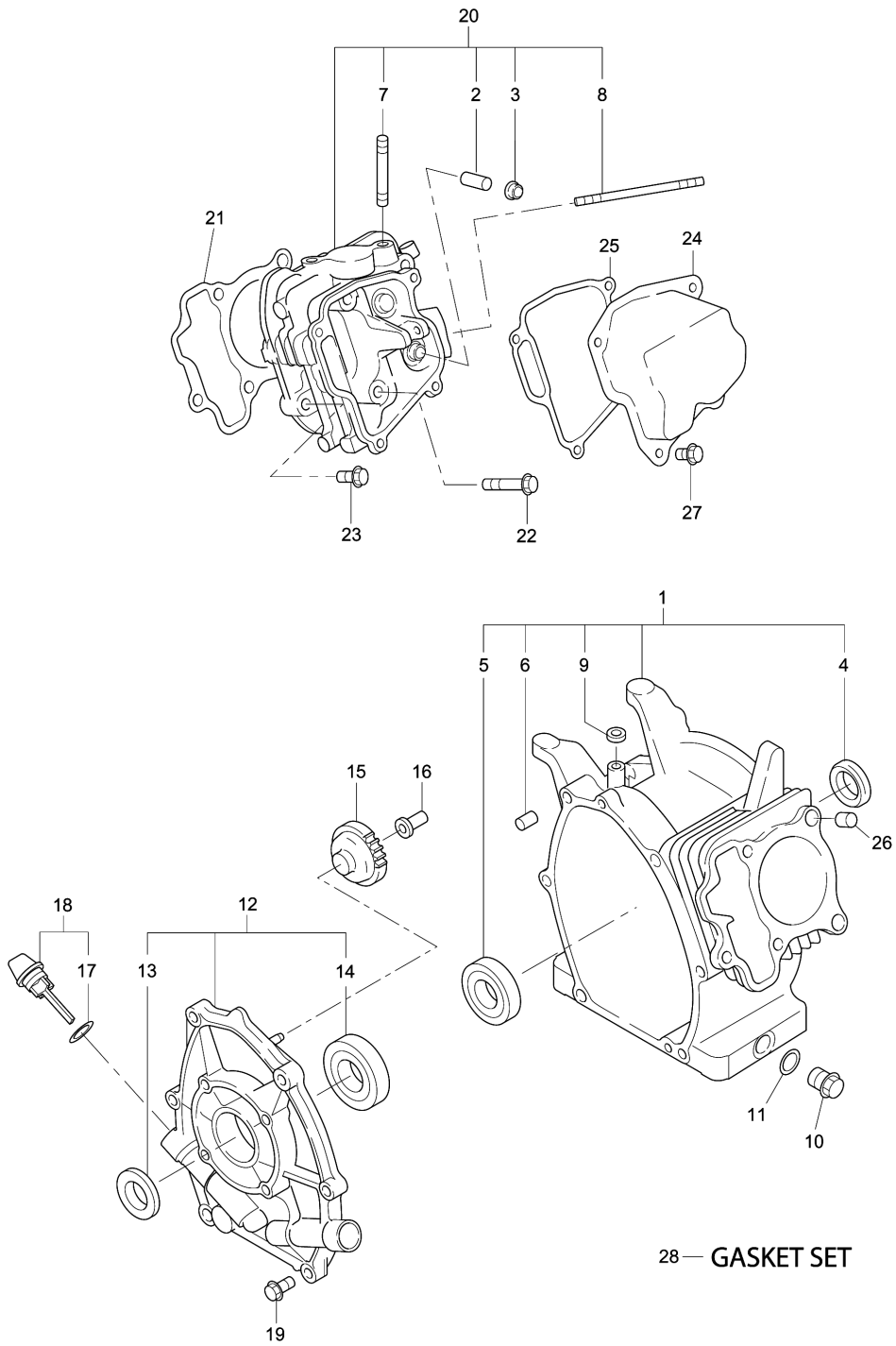
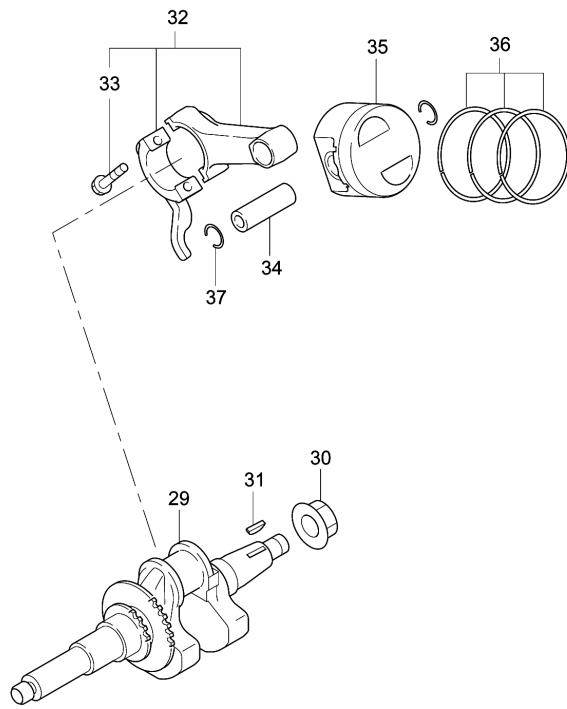


Model No.EW2050H ENGINE PUMP

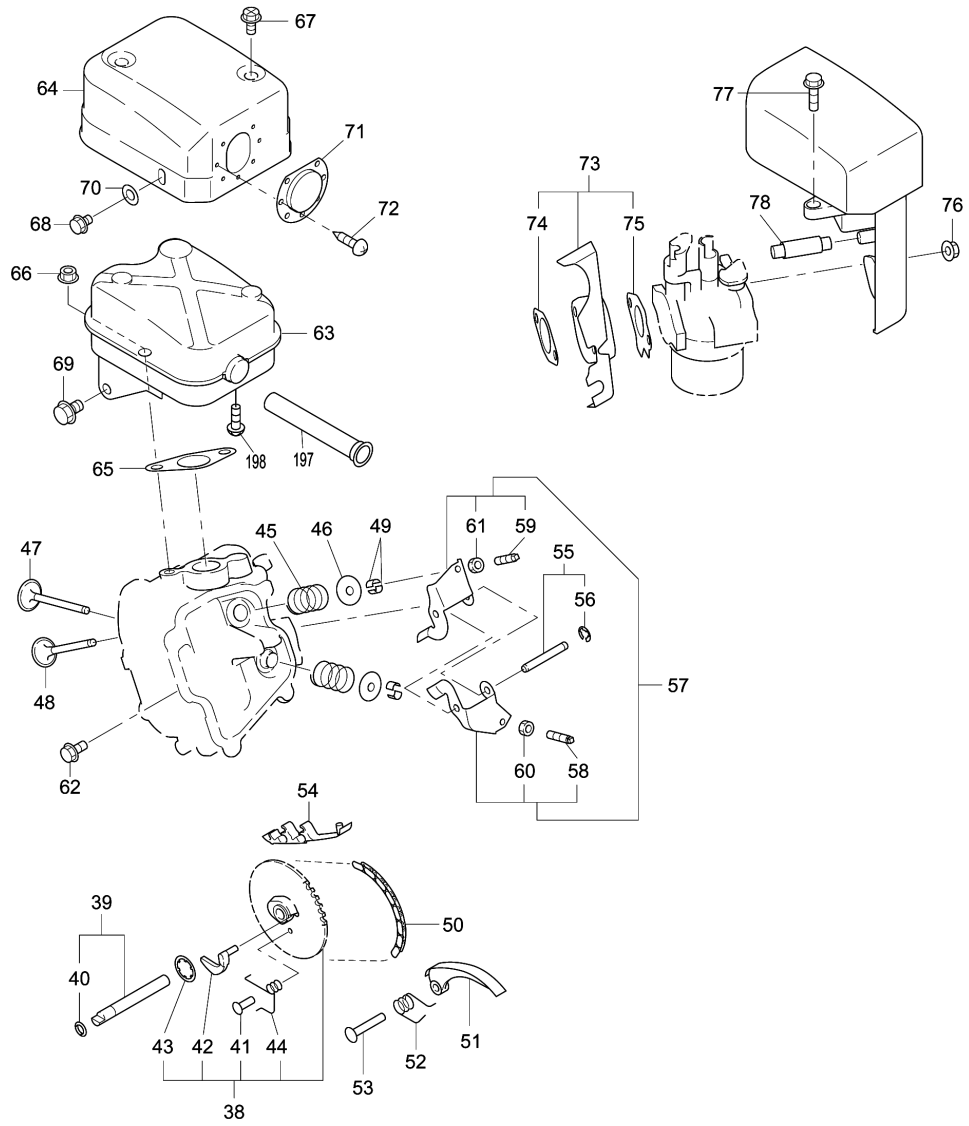


28— GASKET SET

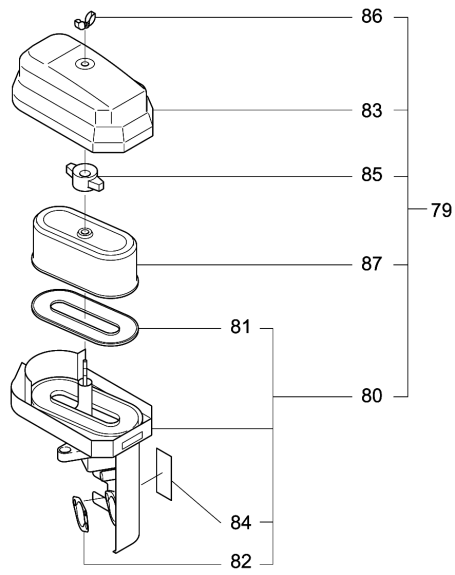
Model No.EW2050H ENGINE PUMP



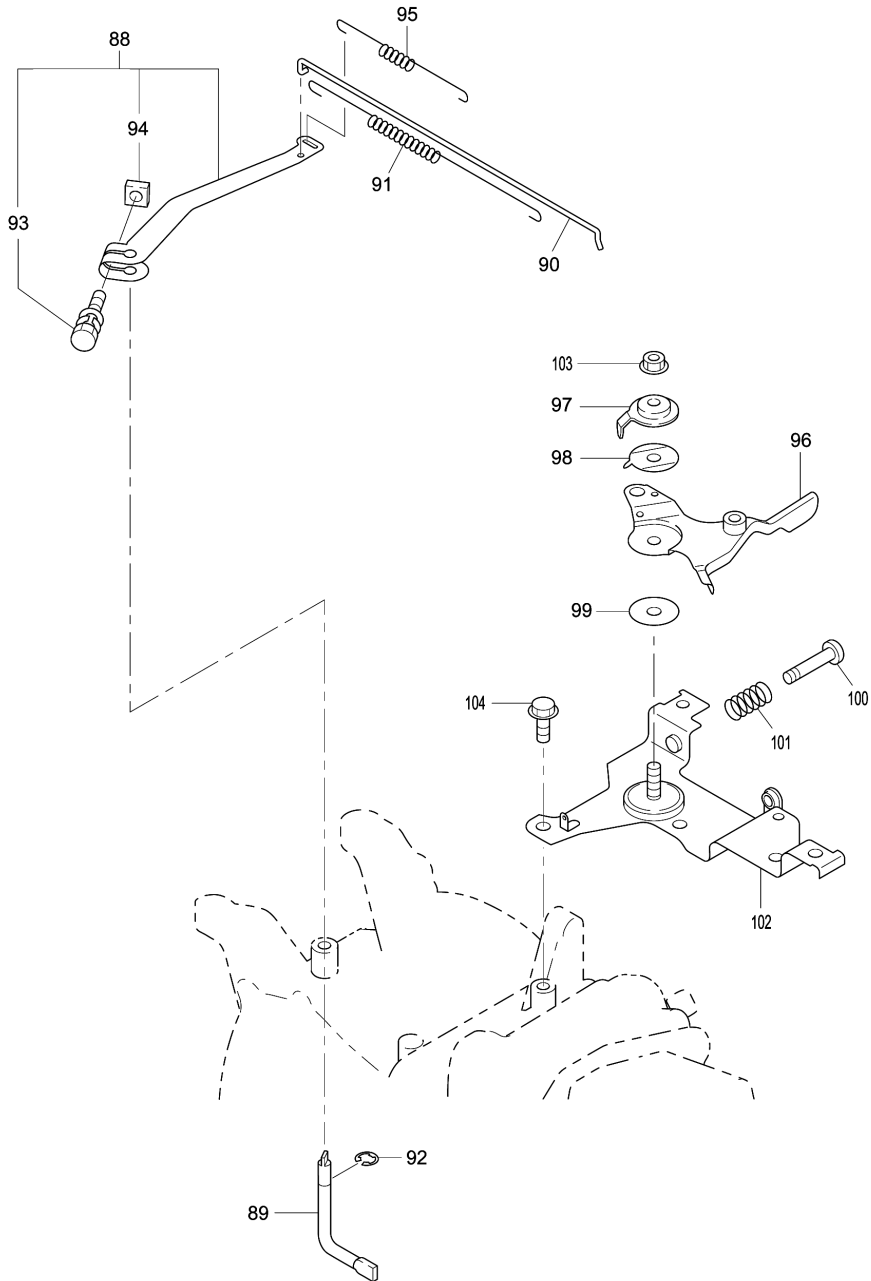
# Model No.EW2050H ENGINE PUMP



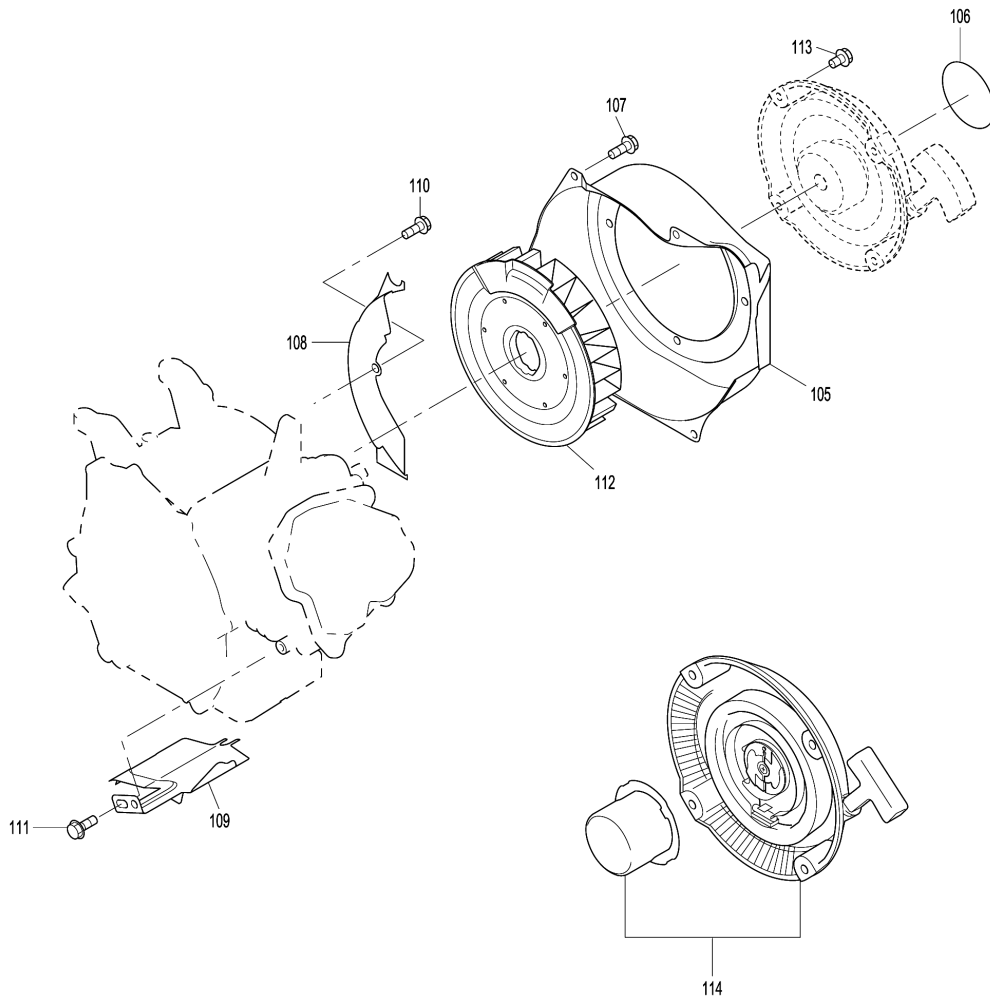
Model No.EW2050H ENGINE PUMP



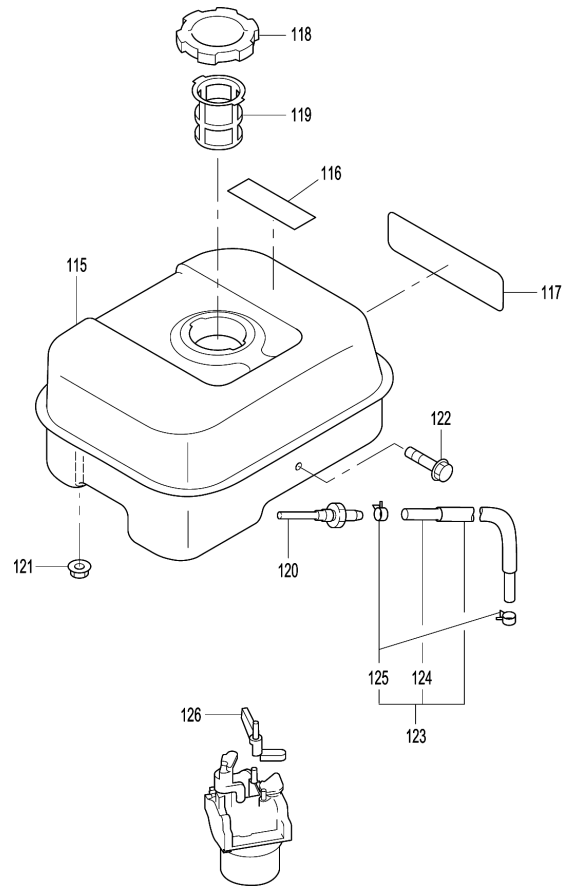
Model No.EW2050H ENGINE PUMP



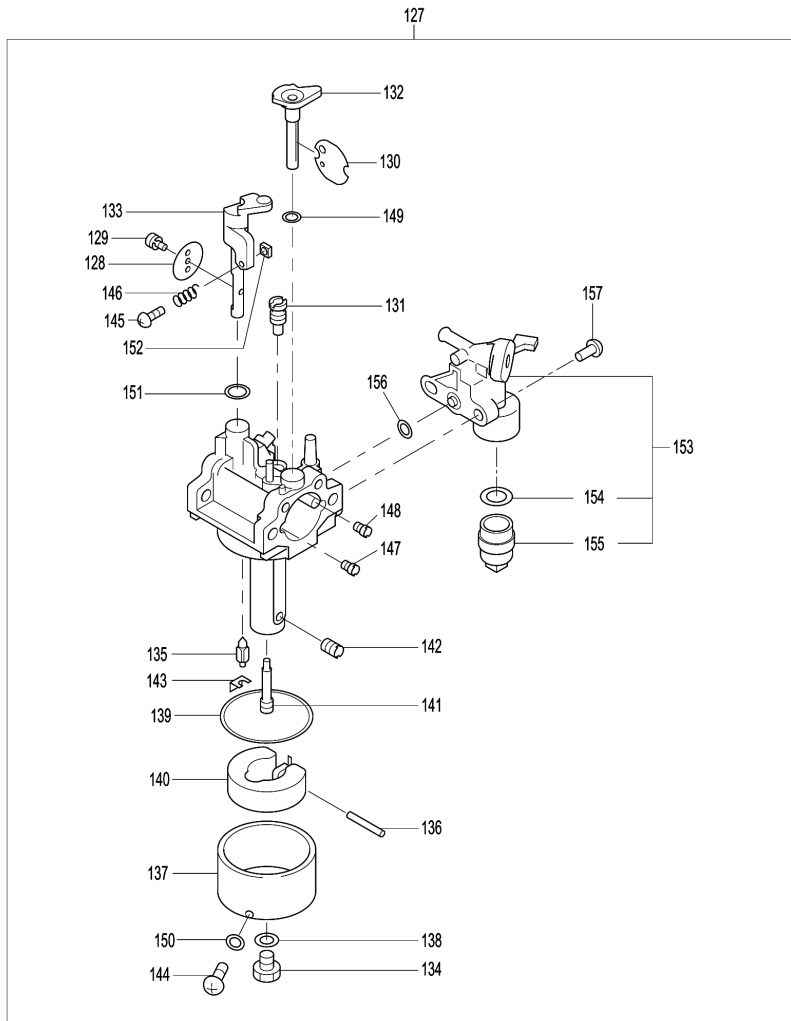
Model No.EW2050H ENGINE PUMP



Model No.EW2050H ENGINE PUMP

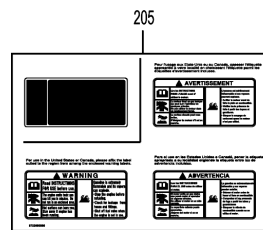
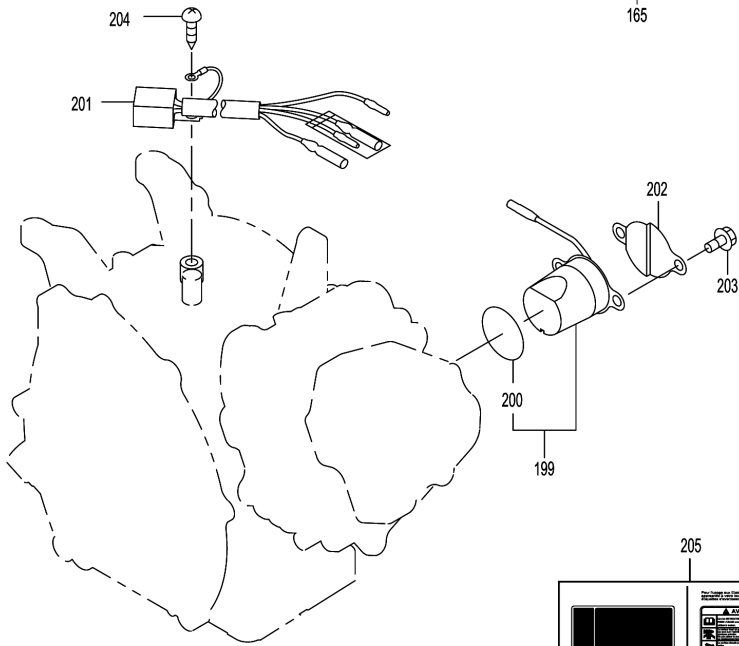
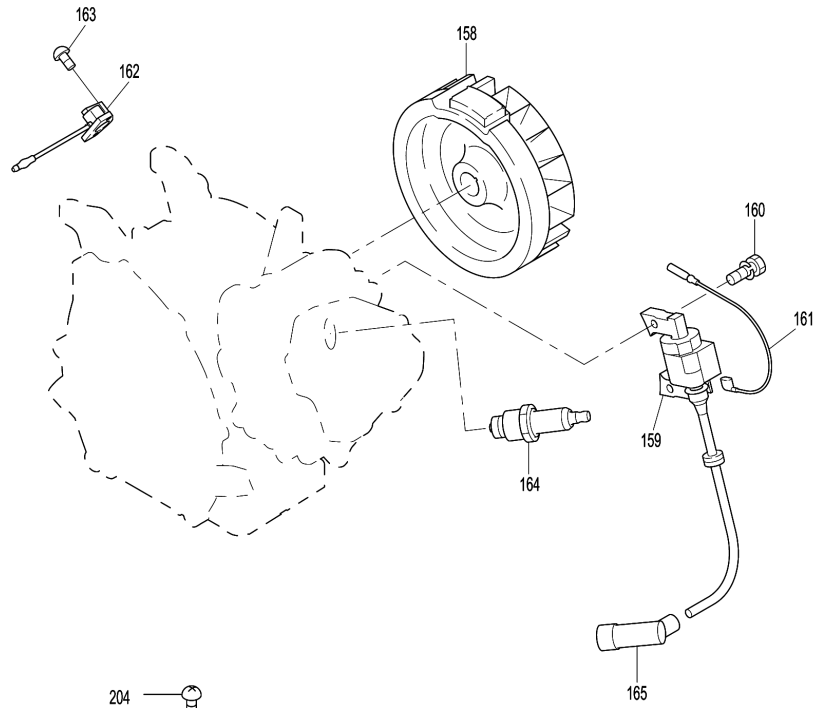


Model No.EW2050H ENGINE PUMP

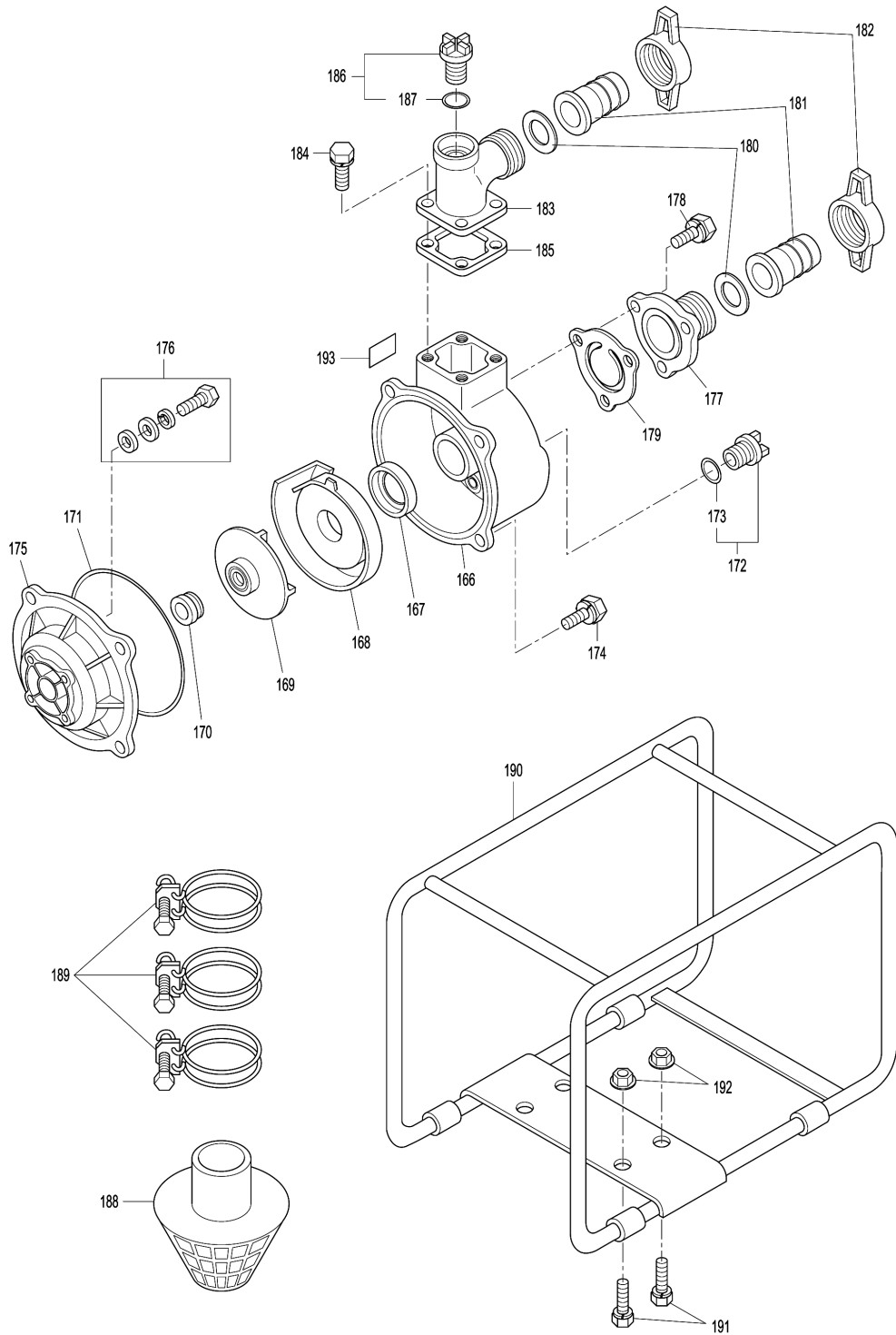




# Model No.EW2050H ENGINE PUMP



# Model No.EW2050H ENGINE PUMP



Model No.EW2050H ENGINE PUMP

Item	Parts No.	Description	I/C	Qty	New/Old	Opt. 1	Opt. 2	Note
001	2771010261	CRANK CASE CP		1				
D10		INC. 4-6,9						
002	2371420203	VALVE GUIDE (OVERSIZE)		2				
003	2771601001	STEM SEAL		1				
004	0440250200	OIL SEAL 25DX38DX7B		1				
005	0600280021	BALL BEARING 62/28 28DX58DX16B		1				
006	2771501103	PIPE KNOCK 10.3DX8.5DX14L		2				
007	0105080250	STUD		2				
008	0105060351	STUD M6X1.0X98L		2				
009	0440060020	OIL SEAL 6DX10DX2.5B		1				
010	0401140030	PLUG		2				
011	0211140020	GASKET		2				
012	2771100151	MAINBEARING COVER CP		1	*			
D10		INC. 13,14			*			
012-1	2771100161	MAIN BEARING COVER CP	O	1				
D10		INC. 13,14						
013	0440250210	OIL SEAL 25DX41.25DX6B		1				
014	X600250140	BALL BEARING 6205		1	*			
014-1	0600250140	BALL BEARING 6205 25DX52DX15B	O	1				
015	27745004K1	GOVERNOR GEAR CP		1				
016	2774190201	GOVERNOR SLEEVE CP		1				
017	0213160020	GASKET 16DX23X1.2T		2				
018	2776360130	OIL GAUGE		2				
D10		INC. 17						
019	0010408350	FLANGE BOLT		6				
020	2771300111	CYLINDER HEAD CP		1				
D10		INC. 2,3,7,8						
021	2771500143	GASKET(HEAD)		1				
022	0110080240	FLANGE BOLT M8X1.25X16DX68L		4				
023	0110080310	FLANGE BOLT M8X33L		1				
024	2771550301	ROCKER COVER CP		1	*			
024-1	2771550311	ROCKER COVER CP	<	1				
025	2771600113	GASKET(ROCKER COVER)T=0.7		1	*			
025-1	2771600123	GASKET(ROCKER COVER)T=0.7	<	1				
026	2771501103	PIPE KNOCK 10.3DX8.5DX14L		2				
027	0110060020	FLANGE BOLT M6X1.0X14DX12L		4				
028	2779900167	GASKET SET		1	*			
D10		INC. 11,17,21,25,65,74,75			*			
028-1	2779900177	GASKET SET	O	1				
D10		INC. 11,17,21,25,65,74,75						
029	20A2030211	CRANK SHAFT CP		1				
030	0180140020	FLANGE NUT M14X1.5X28DX12H		1				

Please order the parts with part number.

Print Date 26/10/2023

Model No.EW2050H ENGINE PUMP

Item	Parts No.	Description	I/C	Qty	New/Old	Opt. 1	Opt. 2	Note
031	0323030010	WOODRUFF KEY		1				
032	2772250110	CONNECTING ROD ASS'Y		1				
D10		INC. 33						
032A_	2772250200	CONNECTING ROD ASSY		1				
D10		INC. 33						
033	2772300103	CONNECTING ROD BOLT		2				
034	2772330113	PISTON PIN 16DX11DX48.5L		1				
035	27723401J3	PISTON STD		1				
035A_	27723403J3	PISTON 0.25 OVER SIZE		1				
035B_	27723404J3	PISTON 0.50 OVER SIZE		1				
036-1	20A2353107	PISTON RING SET		1				
036A_	2772353207	PISTON RING SET.25 O.S.OIL3PCS		1				
036B_	2772353307	PISTON RING SET.50 O.S.OIL3PCS		1				
037	0565160010	CLIP		2				
038-1	2773160131	CAM SHAFT CP		1				
D10		INC. 41-44						
039	2773510101	PIN(CAM SHAFT)CP		1				
D10		INC. 40						
040	0240060030	O-RING		1				
041	2773860103	PIN(SPRING) 4DX8DX9L		1				
042-1	2773640113	RELEASE LEVER		1				
043	2773650103	CLIP 13.8DX20.3DX0.4T		1				
044-1	2773870323	RETURN SPRING		1				
045	2793360103	VALVE SPING		2				
046	2693370103	SPRING RETAINER		2				
047	27733401H3	INTAKE VALVE		1	*			
047-1	20A3340103	INTAKE VALVE	O	1				
048	27733501H3	EXHAUST VALVE 23.5DX5.5DX68.1L		1	*			
048-1	20A3350103	EXHAUST VALVE 23.5DX5.5DX68.1L	O	1				
049	13210KA031	COLLET VALVE		4				
050	27735602H1	TIMING CHAIN COMPLETE		1				
051	20A3691103	TENSIONER		1				
052	2773710103	SPRING(TENSIONER)		1				
053	2773690203	PIN(TENSIONER) 6DX13DX34L		1				
054	20A3691303	CHAIN GUIDE		1				
055	2773500401	PIN(ROCKER) CP		1				
D10		INC. 56						
056	0031305000	CLIP		1				
057	2773600107	ROCKER ARM AY SET		1				
D10		INC. 55,58-61						
058	0149050020	ADJUST SCREW M5X23		1				
059	0149050020	ADJUST SCREW M5X23		1				
060	0170050030	NUT M5		1				
061	0170050030	NUT M5		1				

Please order the parts with part number.

Print Date 26/10/2023

Model No.EW2050H ENGINE PUMP

Item	Parts No.	Description	I/C	Qty	New/Old	Opt. 1	Opt. 2	Note
062	0110060020	FLANGE BOLT M6X1.0X14DX12L		1				
063	277301111J1	MUFFLER CP		1				
064	20A3420101	MUFFLER COVER CP		1				
065	2773520113	GASKET(MUFFLER)		1				
066	0023808000	FLANGE NUT		2				
067	0152060090	TAPPING BOLT		2				
068	0110060010	FLANGE BOLT M6X1.0X14DX8L		1				
069	0110080320	FLANGE BOLT		1				
070	20A0210100	WASHER		1				
071	27737203H1	SCREEN CP		1				
072	0150040060	TAPPING SCREW M4X6L		2				
073	20A3290201	INSULATOR COMPLETE		1				
D10		INC. 74,75						
074	20A3590303	GASKET 2(INSULATOR)		1				
075	20A3590203	GASKET 1(INSULATOR)		1				
076	0023806000	FLANGE NUT M6		2				
077	0010406200	FLANGE BOLT M6X20		1				
078	2773276008	BREATHER PIPE		1				
079-1	2773271530	AIR CLEANER AY		1	*			
D10		INC. 80,83,85-87			*			
079-2	2773271540	AIR CLEANER	<	1				
D10		INC. 80,83,85-87						
080	2773263018	BASE COMPLETE		1	*			
D10		INC. 81,82,84			*			
080-1	2773263028	BASE COMPLETE	O	1				
081	2773261008	PACKING		1				
082	2773260408	PACKING		1				
083	2773264008	COVER CP		1	*			
083-1	2773264018	COVER COMP.	<	1				
084	2773260908	LABEL		1				
085	2773274118	WING NUT		1				
086	2773260718	WING NUT		1				
087-1	20A3263600	ELEMENT SET		1	*			
087-2	2773261107	ELEMENT SET	O	1				
088	2774230140	GOVERNOR LEVER		1				
D10		INC. 93,94						
089	2774220133	GOVERNOR SHAFT		1				
090	2774270123	GOVERNOR ROD COMPLETE		1				
091	2774280123	ROD SPRING 7DX.5DX182L N=16		1				
092	0031305000	CLIP		1				
093	0011406250	BOLT & WASHER ASS'Y		1				
094	0186060020	NUT M6X1.0X4.9H		1				
095	2774251023	GOVERNOR SPRING		1				
096	2774330303	SPEED CONTROL LEVER		1				

Please order the parts with part number.

Print Date 26/10/2023

Model No.EW2050H ENGINE PUMP

Item	Parts No.	Description	I/C	Qty	New/Old	Opt. 1	Opt. 2	Note
097	2774350203	STOP PLATE		1				
098	2774450103	WASHER		1				
099	0217060070	FRICION WASHER		1				
100	0043106250	SCREW		1				
101	2374500423	SPRING(ADJUST)		1				
102	2774600202	SPEED CONTROL BRACKET UNIT		1				
103	0023506000	SELF LOCK NUT		1				
104	0110060020	FLANGE BOLT M6X1.0X14DX12L		2				
105	2775120501	BLOWER HOUSING COMPLETE		1				
106	2779170503	LABEL(MAKITA)		1				
107	0110060030	FLANGE BOLT M6X1.0X14DX14L		4				
108	20A5271101	BAFFLE 1 (CASE) COMPLETE		1				
109	2775270203	BAFFLE 2(HEAD) COMPLETE		1				
110	0010406160	FLANGE BOLT		1				
111	0110060020	FLANGE BOLT M6X1.0X14DX12L		1				
112	20A5410113	COOLING BLOWER		1				
113	0110060030	FLANGE BOLT M6X1.0X14DX14L		4				
114	20A5020130	RECOIL STARTER AY		1				
115	2776010511	FUEL TANK CP		1	*			
115-1	2776010521	FUEL TANK COMPLETE	O	1				
116	0732005760	LABEL(WARNING)		1				
117	2779511603	LABEL(MODEL)		1				
118	0430440050	FUEL TANK CAP COMPLETE		1				
119	X641360010	FUEL FILTER		1				
120	X505120020	UNION		1				
121	0023806000	FLANGE NUT M6		2				
122	0110060130	FLANGE BOLT		1				
123	2776260121	FUEL PIPE CP		1				
D10		INC. 124,125						
124	X851061352	RUBBER PIPE 6.4DX12.7DX148L		1				
125	X561110060	HOSE CLAMP		2				
126	2774380101	CHOKE LEVER CP		1				
127	2766230250	CARBURETOR 276-62302-50		1	*			
D10		INC. 128-153,156,157			*			
127-1	2766230260	CARBURETOR ASSY	<	1				
D10		INC. 128-153,156,157						
128	1066253808	THROTTLE VALVE		1				
129	2096235108	SCREW ASS'Y		1				
130	2776252508	CHOKE VALVE		1				
131	2466242008	PILOT JET (#40)		1				
132	2776252008	CHOKE LEVER		1				
133	2766253118	THROTTLE STEM A		1				
134	2276245108	BOLT		1				

Please order the parts with part number.

Print Date 26/10/2023

Model No.EW2050H ENGINE PUMP

Item	Parts No.	Description	I/C	Qty	New/Old	Opt. 1	Opt. 2	Note
135	2776250008	NEEDLE		1				
136	2776251508	PIN		1				
137	2776250608	FLOAT BODY		1				
138	2146245008	PACKING		1				
139	2146254008	FLOAT CHAMBER PACKING		1				
140	2266250608	FLOAT ASS'Y		1				
141	2766244008	MAIN NOZZLE		1				
142	2526240508	JET 252-62405-08		1				
143	2266270118	CLIP		1				
144	2776236008	BOLT		1				
145	1066255608	SCREW		1				
146	2836235708	SPRING		1				
147	2076241008	AIR JET		1				
148	1066241008	AIR JET(PILOT)		1				
149	2366268008	SEAL		1				
150	2366254108	PACKING		1				
151	2466239008	SEAL		1				
152	2776255308	NUT		1				
153	2796210320	COCK BODY-A		1	*			
D10		INC. 154,155			*			
153-1	2796210330	COCK BODY-A	<	1				
D10		INC. 154,155						
154	2776211018	PACKING		1				
155	2776210018	CUP		1				
156	2776255208	O-RING		1				
157	1656237708	SCREW		2				
158	20A7923101	FLYWHEEL CP		1				
159	20A7943101	IGNITION COIL CP		1				
160	0010406200	FLANGE BOLT M6X20		2				
161	27773102H1	WIRE 2 COMPLETE		1	*			
161-1	2777311501	WIRE 2 COMPLETE	<	1				
162-1	X660000510	SWITCH		1				
163	0150040090	TAPPING SCREW 4X12		2				
164	X650143050	SPARK PLUG		1				
165	0655000110	SPARK PLUG CAP		1				
166	4800501001	CASING		1				
167	4800501012	INNER CASING PACKING		1				
168	4800501011	INNER CASING		1				
169	4800501009	IMPELLER		1				
170	4800501010	MECHANICAL SEAL		1				
171	4800501002	CASING PACKING		1				
172	4800501021	PLUG		1				
D10		INC. 173						
173	4800501022	O RING		1				
174	4800531003	BOLT & WASHER ASSY		4				

Please order the parts with part number.

Print Date 26/10/2023

Model No.EW2050H ENGINE PUMP

Item	Parts No.	Description	I/C	Qty	New/Old	Opt. 1	Opt. 2	Note
175	4800501004	CASING COVER		1				
176	4800501005	BOLT M8X48		4				
177	4800501013	SUCTION FLANGE		1				
178	4800501014	BOLT AND WASHER ASS'Y (M8X25)		3				
179	4800501015	CHECK VALVE		1				
180	4800501017	NIPPLE PACKING		2				
181	4810000114	HOSE COUPLING(ABS)		2				
182	4810000115	COUOLIG HANDLE(ABS)		2				
183	4800501019	DELIVERY FRANGE		1				
184	4800501014	BOLT AND WASHER ASS'Y (M8X25)		4				
185	4800501020	DELIVERY FLANGE PACKING		1				
186	4800501021	PLUG		1				
D10		INC. 187						
187	4800501022	O RING		1				
188	4800505029	STRAINER		1				
189	4800501028	HOSE BAND		3				
190	4810000250	FRAME		1				
191	4800501023	BOLT AND WASHER ASS'Y (M8X40)		4				
192	4800501024	FLANGE NUT (M8)		4				
193	4869000103	LABEL(PUMP NAME)		1				
199	2777630121	OIL SENSOR CP		1				
D10		INC. 200						
200	2777635008	O RING		1				
201	KU31104321	FLOAT C/U CP3		1	*			
201-1	KU31104331	FLOAT C/U CP3	O	1				
202	2777580103	SHIELD PLATE(O/S)		1				
203	0010406140	FLANGE BOLT		2				
204	0152050010	TAPPING SCREW		1				
A01	27790301J0	ACCESSORY TOOL KIT		1				

Please order the parts with part number.

Print Date 26/10/2023