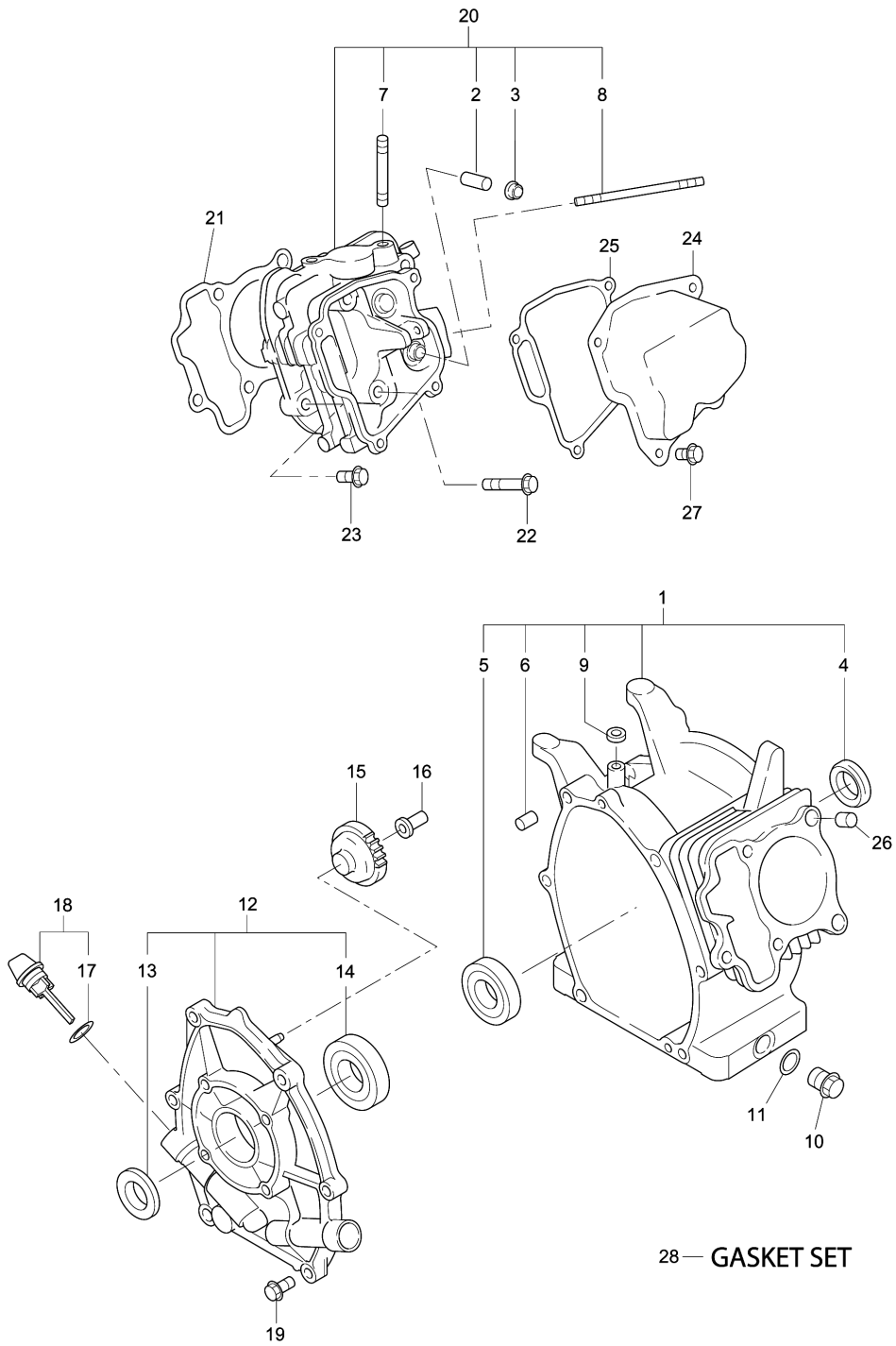
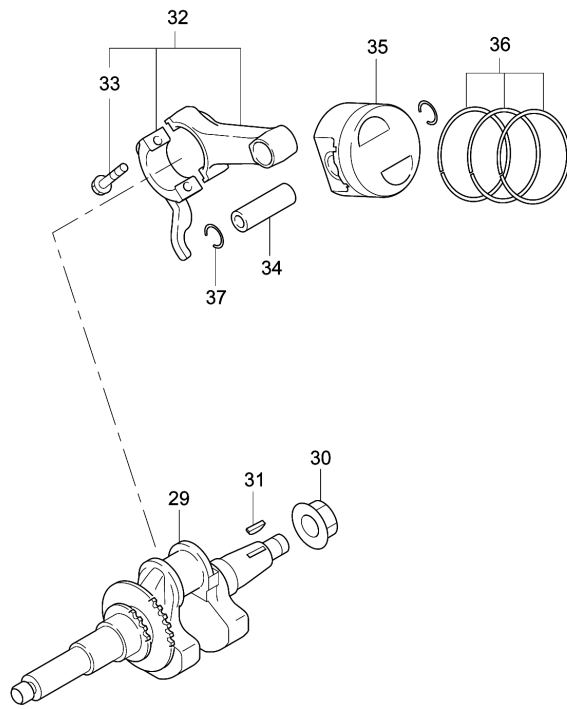


Model No.EW2051H ENGINE PUMP

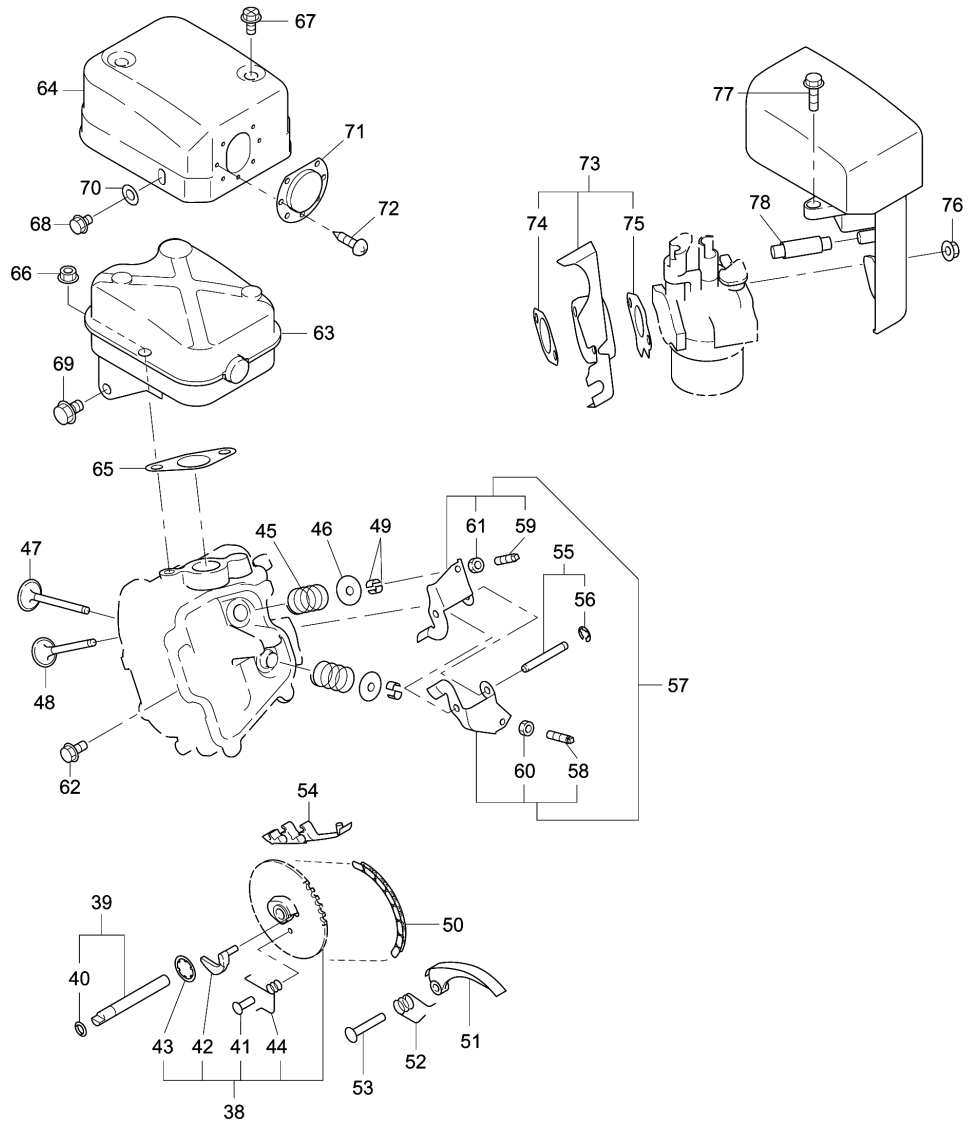


28— GASKET SET

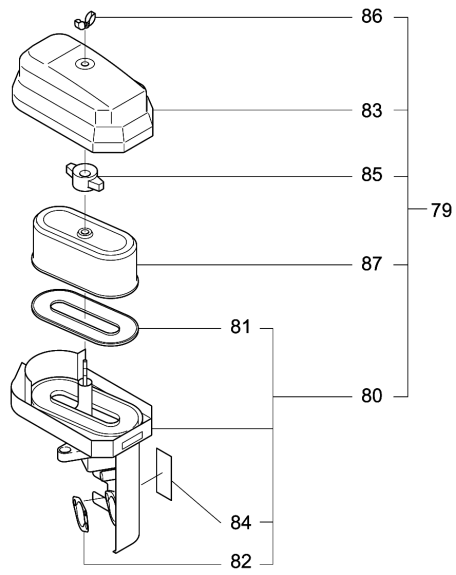
Model No.EW2051H ENGINE PUMP



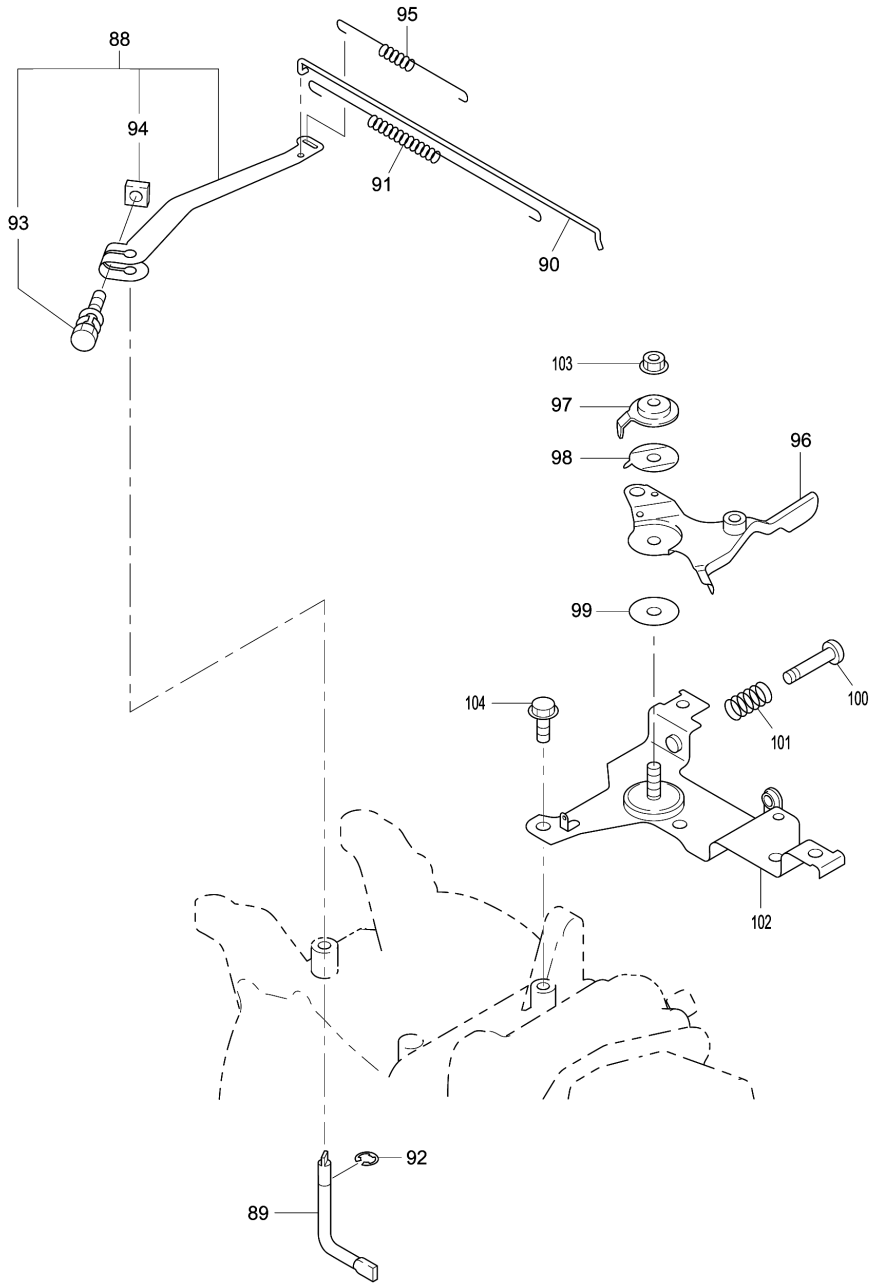
Model No.EW2051H ENGINE PUMP



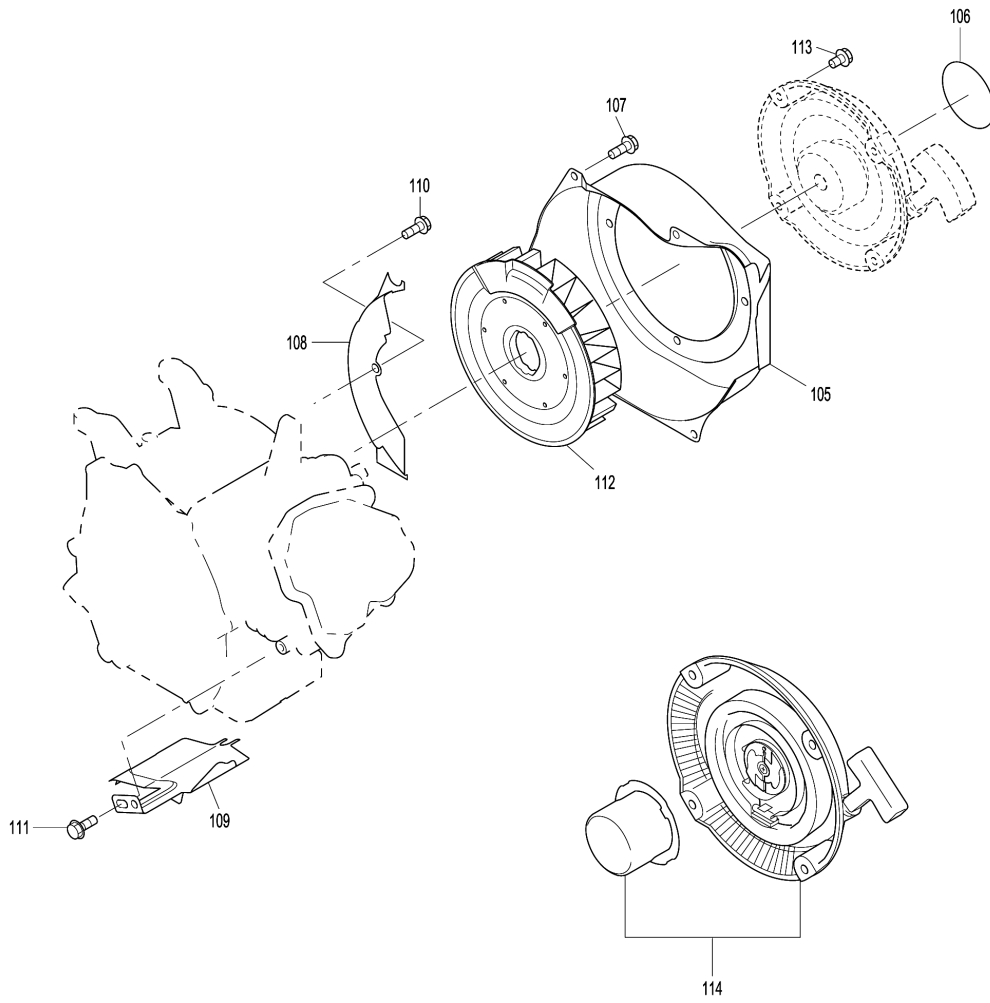
Model No.EW2051H ENGINE PUMP



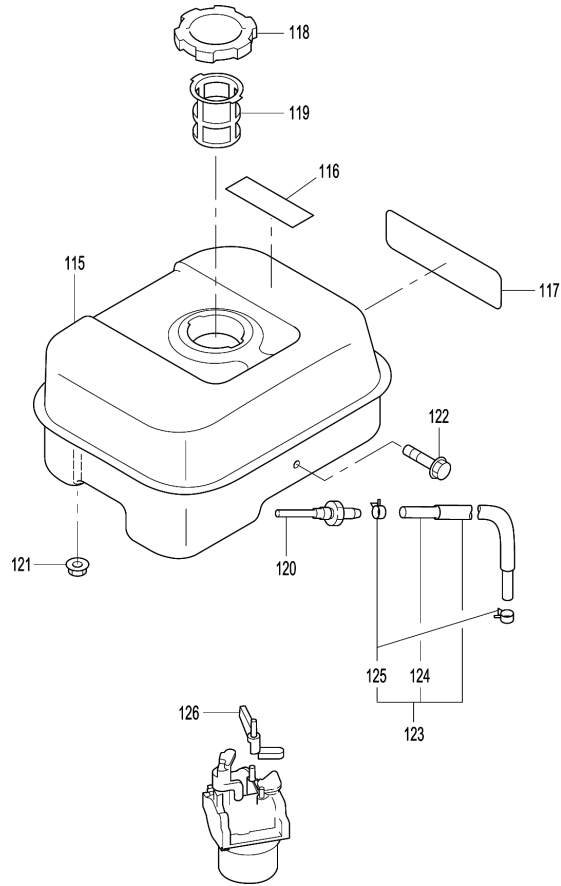
Model No.EW2051H ENGINE PUMP



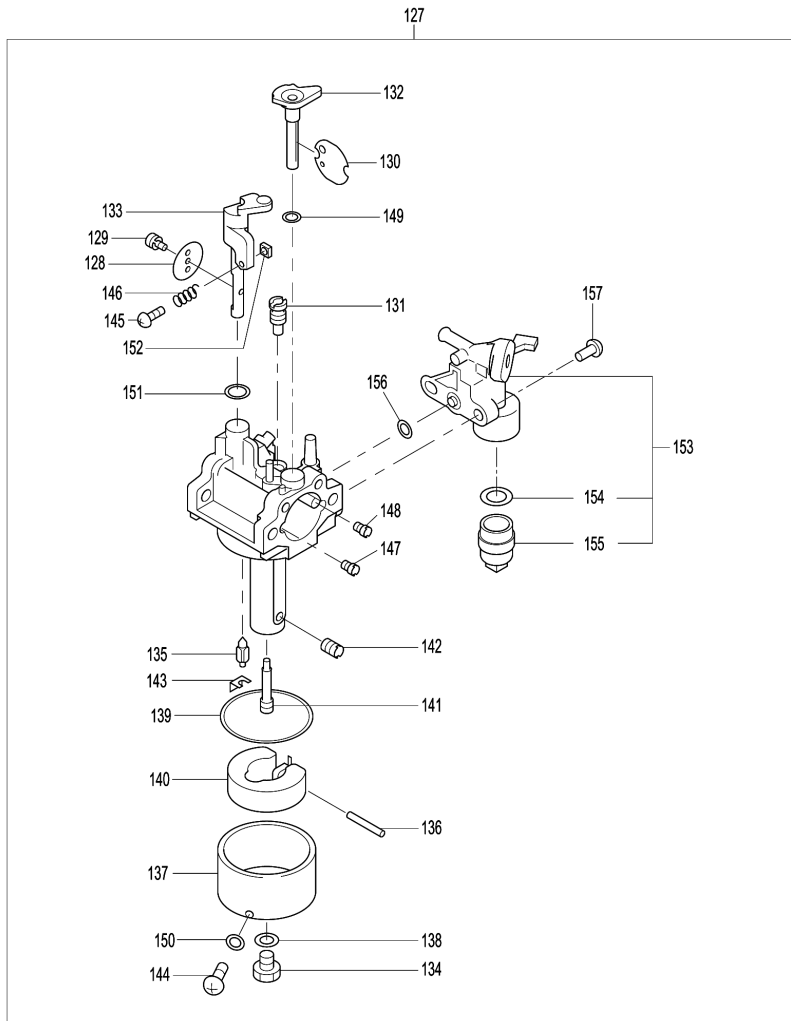
Model No.EW2051H ENGINE PUMP



Model No.EW2051H ENGINE PUMP

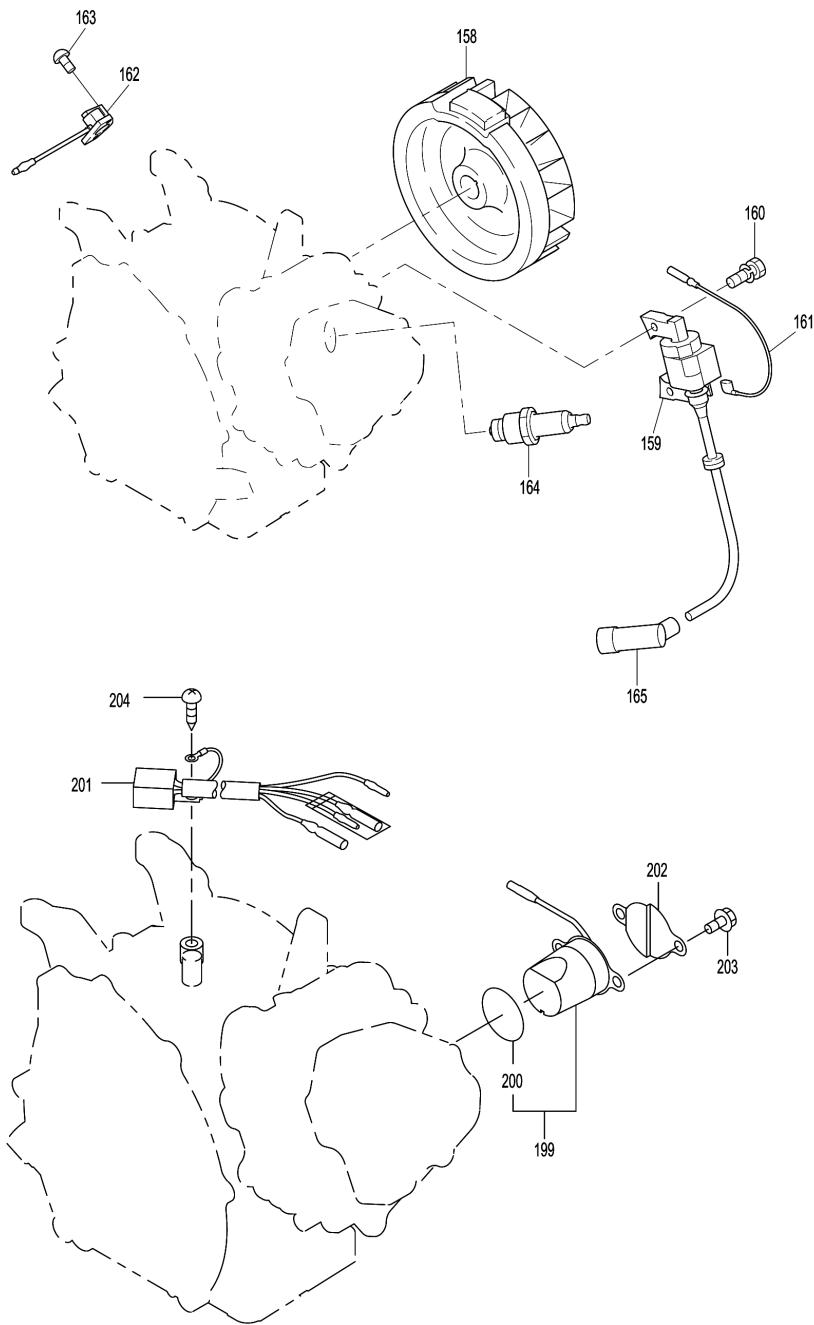


Model No.EW2051H ENGINE PUMP

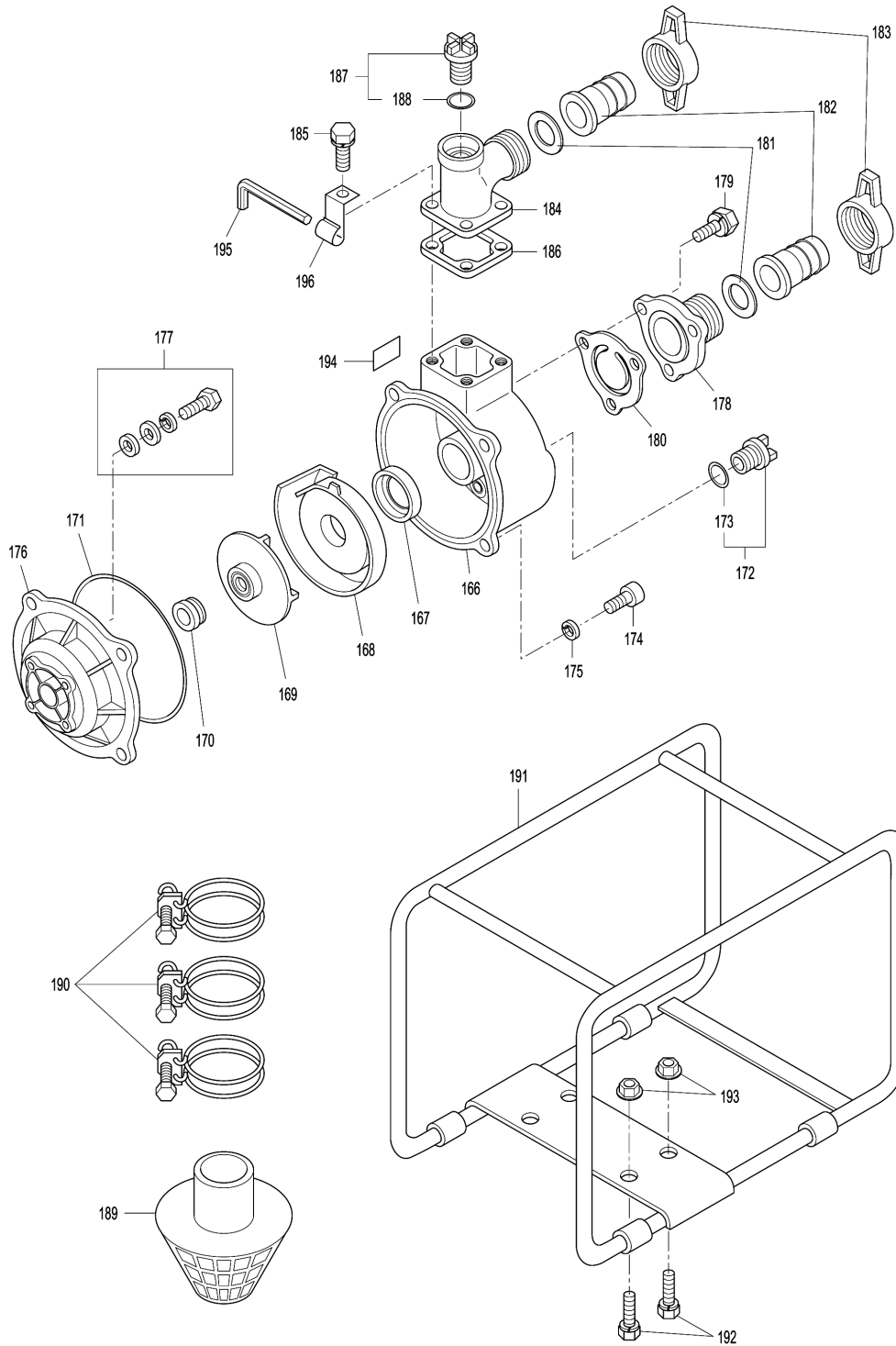




Model No.EW2051H ENGINE PUMP



# Model No.EW2051H ENGINE PUMP



Model No.EW2051H ENGINE PUMP

Item	Parts No.	Description	I/C	Qty	New/Old	Opt. 1	Opt. 2	Note
001	2771010261	CRANK CASE CP		1				
D10		INC. 4-6,9						
002	2371420203	VALVE GUIDE (OVERSIZE)		2				
003	2771601001	STEM SEAL		1				
004	0440250200	OIL SEAL 25DX38DX7B		1				
005	0600280021	BALL BEARING 62/28 28DX58DX16B		1				
006	2771501103	PIPE KNOCK 10.3DX8.5DX14L		2				
007	0105080250	STUD		2				
008	0105060351	STUD M6X1.0X98L		2				
009	0440060020	OIL SEAL 6DX10DX2.5B		1				
010	0401140030	PLUG		2				
011	0211140020	GASKET		2				
012	2771100151	MAINBEARING COVER CP		1	*			
D10		INC. 13,14			*			
012-1	2771100161	MAIN BEARING COVER CP	O	1				
D10		INC. 13,14						
013	0440250210	OIL SEAL 25DX41.25DX6B		1				
014	X600250140	BALL BEARING 6205		1	*			
014-1	0600250140	BALL BEARING 6205 25DX52DX15B	O	1				
015	27745004K1	GOVERNOR GEAR CP		1				
016	2774190201	GOVERNOR SLEEVE CP		1				
017	0213160020	GASKET 16DX23X1.2T		2				
018	2776360130	OIL GAUGE		2				
D10		INC. 17						
019	0010408350	FLANGE BOLT		6				
020	2771300111	CYLINDER HEAD CP		1				
D10		INC. 2,3,7,8						
021	2771500143	GASKET(HEAD)		1				
022	0110080240	FLANGE BOLT M8X1.25X16DX68L		4				
023	0110080310	FLANGE BOLT M8X33L		1				
024	2771550301	ROCKER COVER CP		1	*			
024-1	2771550311	ROCKER COVER CP	<	1				
025	2771600113	GASKET(ROCKER COVER)T=0.7		1	*			
025-1	2771600123	GASKET(ROCKER COVER)T=0.7	<	1				
026	2771501103	PIPE KNOCK 10.3DX8.5DX14L		2				
027	0110060020	FLANGE BOLT M6X1.0X14DX12L		4				
028	2779900167	GASKET SET		1	*			
D10		INC. 11,17,21,25,65,74,75			*			
028-1	2779900177	GASKET SET	O	1				
D10		INC. 11,17,21,25,65,74,75						
029	20A2030201	CRANK SHAFT CP		1	*			
029-1	20A2030211	CRANK SHAFT CP	<	1				

Please order the parts with part number.

Print Date 23/10/2023

Model No.EW2051H ENGINE PUMP

Item	Parts No.	Description	I/C	Qty	New/Old	Opt. 1	Opt. 2	Note
030	0180140020	FLANGE NUT M14X1.5X28DX12H		1				
031	0323030010	WOODRUFF KEY		1				
032	2772250110	CONNECTING ROD ASS'Y		1				
D10		INC. 33						
032A_	2772250200	CONNECTING ROD ASSY		1				
D10		INC. 33						
033	2772300103	CONNECTING ROD BOLT		2				
034	2772330113	PISTON PIN 16DX11DX48.5L		1				
035	27723401J3	PISTON STD		1				
035A_	27723403J3	PISTON 0.25 OVER SIZE		1				
035B_	27723404J3	PISTON 0.50 OVER SIZE		1				
036-1	20A2353107	PISTON RING SET		1				
036A_	2772353207	PISTON RING SET.25 O.S.OIL3PCS		1				
036B_	2772353307	PISTON RING SET.50 O.S.OIL3PCS		1				
037	0565160010	CLIP		2				
038-1	2773160131	CAM SHAFT CP		1				
D10		INC. 41-44						
039	2773510101	PIN(CAM SHAFT)CP		1				
D10		INC. 40						
040	0240060030	O-RING		1				
041	2773860103	PIN(SPRING) 4DX8DX9L		1				
042-1	2773640113	RELEASE LEVER		1				
043	2773650103	CLIP 13.8DX20.3DX0.4T		1				
044-1	2773870323	RETURN SPRING		1				
045	2793360103	VALVE SPING		2				
046	2693370103	SPRING RETAINER		2				
047	27733401H3	INTAKE VALVE		1	*			
047-1	20A3340103	INTAKE VALVE	O	1				
048	27733501H3	EXHAUST VALVE 23.5DX5.5DX68.1L		1	*			
048-1	20A3350103	EXHAUST VALVE 23.5DX5.5DX68.1L	O	1				
049	13210KA031	COLLET VALVE		4				
050	27735602H1	TIMING CHAIN COMPLETE		1				
051	20A3691103	TENSIONER		1				
052	2773710103	SPRING(TENSIONER)		1				
053	2773690203	PIN(TENSIONER) 6DX13DX34L		1				
054	20A3691303	CHAIN GUIDE		1				
055	2773500401	PIN(ROCKER) CP		1				
D10		INC. 56						
056	0031305000	CLIP		1				
057	2773600107	ROCKER ARM AY SET		1				
D10		INC. 55,58-61						
058	0149050020	ADJUST SCREW M5X23		1				
059	0149050020	ADJUST SCREW M5X23		1				

Please order the parts with part number.

Print Date 23/10/2023

Model No.EW2051H ENGINE PUMP

Item	Parts No.	Description	I/C	Qty	New/Old	Opt. 1	Opt. 2	Note
060	0170050030	NUT M5		1				
061	0170050030	NUT M5		1				
062	0110060020	FLANGE BOLT M6X1.0X14DX12L		1				
063	277301111J1	MUFFLER CP		1				
064	20A3420101	MUFFLER COVER CP		1				
065	2773520113	GASKET(MUFFLER)		1				
066	0023808000	FLANGE NUT		2				
067	0152060090	TAPPING BOLT		2				
068	0110060010	FLANGE BOLT M6X1.0X14DX8L		1				
069	0110080320	FLANGE BOLT		1				
070	20A0210100	WASHER		1				
071	27737203H1	SCREEN CP		1				
072	0150040060	TAPPING SCREW M4X6L		2				
073	20A3290201	INSULATOR COMPLETE		1				
D10		INC. 74,75						
074	20A3590303	GASKET 2(INSULATOR)		1				
075	20A3590203	GASKET 1(INSULATOR)		1				
076	0023806000	FLANGE NUT M6		2				
077	0010406200	FLANGE BOLT M6X20		1				
078	2773276008	BREATHER PIPE		1				
079-1	2773271530	AIR CLEANER AY		1	*			
D10		INC. 80,83,85-87			*			
079-2	2773271540	AIR CLEANER	<	1				
D10		INC. 80,83,85-87						
080	2773263018	BASE COMPLETE		1	*			
D10		INC. 81,82,84			*			
080-1	2773263028	BASE COMPLETE	O	1				
081	2773261008	PACKING		1				
082	2773260408	PACKING		1				
083	2773264008	COVER CP		1	*			
083-1	2773264018	COVER COMP.	<	1				
084	2773260908	LABEL		1				
085	2773274118	WING NUT		1				
086	2773260718	WING NUT		1				
087-1	20A3263600	ELEMENT SET		1	*			
087-2	2773261107	ELEMENT SET	O	1				
088	2774230140	GOVERNOR LEVER		1				
D10		INC. 93,94						
089	2774220133	GOVERNOR SHAFT		1				
090	2774270123	GOVERNOR ROD COMPLETE		1				
091	2774280123	ROD SPRING 7DX.5DX182L N=16		1				
092	0031305000	CLIP		1				
093	0011406250	BOLT & WASHER ASS'Y		1				
094	0186060020	NUT M6X1.0X4.9H		1				

Please order the parts with part number.

Print Date 23/10/2023

Model No.EW2051H ENGINE PUMP

Item	Parts No.	Description	I/C	Qty	New/Old	Opt. 1	Opt. 2	Note
095	2774251023	GOVERNOR SPRING		1				
096	2774330303	SPEED CONTROL LEVER		1				
097	2774350203	STOP PLATE		1				
098	2774450103	WASHER		1				
099	0217060070	FRICITION WASHER		1				
100	0043106250	SCREW		1				
101	2374500423	SPRING(ADJUST)		1				
102	2774600202	SPEED CONTROL BRACKET UNIT		1				
103	0023506000	SELF LOCK NUT		1				
104	0110060020	FLANGE BOLT M6X1.0X14DX12L		2				
105	2775120501	BLOWER HOUSING COMPLETE		1				
106	2779170503	LABEL(MAKITA)		1				
107	0110060030	FLANGE BOLT M6X1.0X14DX14L		4				
108	20A5271101	BAFFLE 1 (CASE) COMPLETE		1				
109	2775270203	BAFFLE 2(HEAD) COMPLETE		1				
110	0010406160	FLANGE BOLT		1				
111	0110060020	FLANGE BOLT M6X1.0X14DX12L		1				
112	20A5410113	COOLING BLOWER		1				
113	0110060030	FLANGE BOLT M6X1.0X14DX14L		4				
114	20A5020130	RECOIL STARTER AY		1				
115	2776010511	FUEL TANK CP		1	*			
115-1	2776010521	FUEL TANK COMPLETE	O	1				
116	0732005760	LABEL(WARNING)		1				
117	2779511603	LABEL(MODEL)		1				
118	0430440050	FUEL TANK CAP COMPLETE		1				
119	X641360010	FUEL FILTER		1				
120	X505120020	UNION		1				
121	0023806000	FLANGE NUT M6		2				
122	0110060130	FLANGE BOLT		1				
123	2776260121	FUEL PIPE CP		1				
D10		INC. 124,125						
124	X851061352	RUBBER PIPE 6.4DX12.7DX148L		1				
125	X561110060	HOSE CLAMP		2				
126	2774380101	CHOKE LEVER CP		1				
127	2766230250	CARBURETOR 276-62302-50		1	*			
D10		INC. 128-153,156,157			*			
127-1	2766230260	CARBURETOR ASSY	<	1				
D10		INC. 128-153,156,157						
128	1066253808	THROTTLE VALVE		1				
129	2096235108	SCREW ASS'Y		1				
130	2776252508	CHOKE VALVE		1				
131	2466242008	PILOT JET (#40)		1				
132	2776252008	CHOKE LEVER		1				

Please order the parts with part number.

Print Date 23/10/2023

Model No.EW2051H ENGINE PUMP

Item	Parts No.	Description	I/C	Qty	New/Old	Opt. 1	Opt. 2	Note
133	2766253118	THROTTLE STEM A		1				
134	2276245108	BOLT		1				
135	2776250008	NEEDLE		1				
136	2776251508	PIN		1				
137	2776250608	FLOAT BODY		1				
138	2146245008	PACKING		1				
139	2146254008	FLOAT CHAMBER PACKING		1				
140	2266250608	FLOAT ASS'Y		1				
141	2766244008	MAIN NOZZLE		1				
142	2526240508	JET 252-62405-08		1				
143	2266270118	CLIP		1				
144	2776236008	BOLT		1				
145	1066255608	SCREW		1				
146	2836235708	SPRING		1				
147	2076241008	AIR JET		1				
148	1066241008	AIR JET(PILOT)		1				
149	2366268008	SEAL		1				
150	2366254108	PACKING		1				
151	2466239008	SEAL		1				
152	2776255308	NUT		1				
153	2796210320	COCK BODY-A		1	*			
D10		INC. 154,155			*			
153-1	2796210330	COCK BODY-A	<	1				
D10		INC. 154,155						
154	2776211018	PACKING		1				
155	2776210018	CUP		1				
156	2776255208	O-RING		1				
157	1656237708	SCREW		2				
158	20A7923101	FLYWHEEL CP		1				
159	20A7943101	IGNITION COIL CP		1				
160	0010406200	FLANGE BOLT M6X20		2				
161	27773102H1	WIRE 2 COMPLETE		1	*			
161-1	2777311501	WIRE 2 COMPLETE	<	1				
162-1	X660000510	SWITCH		1				
163	0150040090	TAPPING SCREW 4X12		2				
164	X650143050	SPARK PLUG		1				
165	0655000110	SPARK PLUG CAP		1				
166	4800501001	CASING		1				
167	4800501012	INNER CASING PACKING		1				
168	4800571011	INNER CASING		1				
169	4800571009	IMPELLER		1				
170	4800521008	MACHANICAL SEAL		1				
171	4800501002	CASING PACKING		1				
172	4800501021	PLUG		1				
D10		INC. 173						

Please order the parts with part number.

Print Date 23/10/2023

Model No.EW2051H ENGINE PUMP

Item	Parts No.	Description	I/C	Qty	New/Old	Opt. 1	Opt. 2	Note
173	4800501022	O RING		1				
174	4800571099	SOCKET BOLT		4				
175	4810000171	SPRING WASHER		4				
176	4800501004	CASING COVER		1				
177	4800501005	BOLT M8X48		4				
178	4800501013	SUCTION FLANGE		1				
179	4800501014	BOLT AND WASHER ASS'Y (M8X25)		3				
180	4800501015	CHECK VALVE		1				
181	4800501017	NIPPLE PACKING		2				
182	4810000114	HOSE COUPLING(ABS)		2				
183	4810000115	COUOLIG HANDLE(ABS)		2				
184	4800501019	DELIVERY FRANGE		1				
185	4800501014	BOLT AND WASHER ASS'Y (M8X25)		4				
186	4800501020	DELIVERY FLANGE PACKING		1				
187	4800501021	PLUG		1				
D10		INC. 188						
188	4800501022	O RING		1				
189	4800575029	STRAINER(ABS)		1				
190	4800501028	HOSE BAND		1				
191	4810000250	FRAME		1				
192	4800501023	BOLT AND WASHER ASS'Y (M8X40)		4				
193	4800501024	FLANGE NUT (M8)		4				
194	4869000503	LABEL(PUMP NAME)		1				
195	4800571092	HEX SOCKET SCREW		1				
196	4800571021	HOOK		1				
199	2777630121	OIL SENSOR CP		1				
D10		INC. 200						
200	2777635008	O RING		1				
201	KU31104321	FLOAT C/U CP3		1	*			
201-1	KU31104331	FLOAT C/U CP3	O	1				
202	2777580103	SHIELD PLATE(O/S)		1				
203	0010406140	FLANGE BOLT		2				
204	0152050010	TAPPING SCREW		1				
A01	27790301J0	ACCESSORY TOOL KIT		1				

Please order the parts with part number.

Print Date 23/10/2023