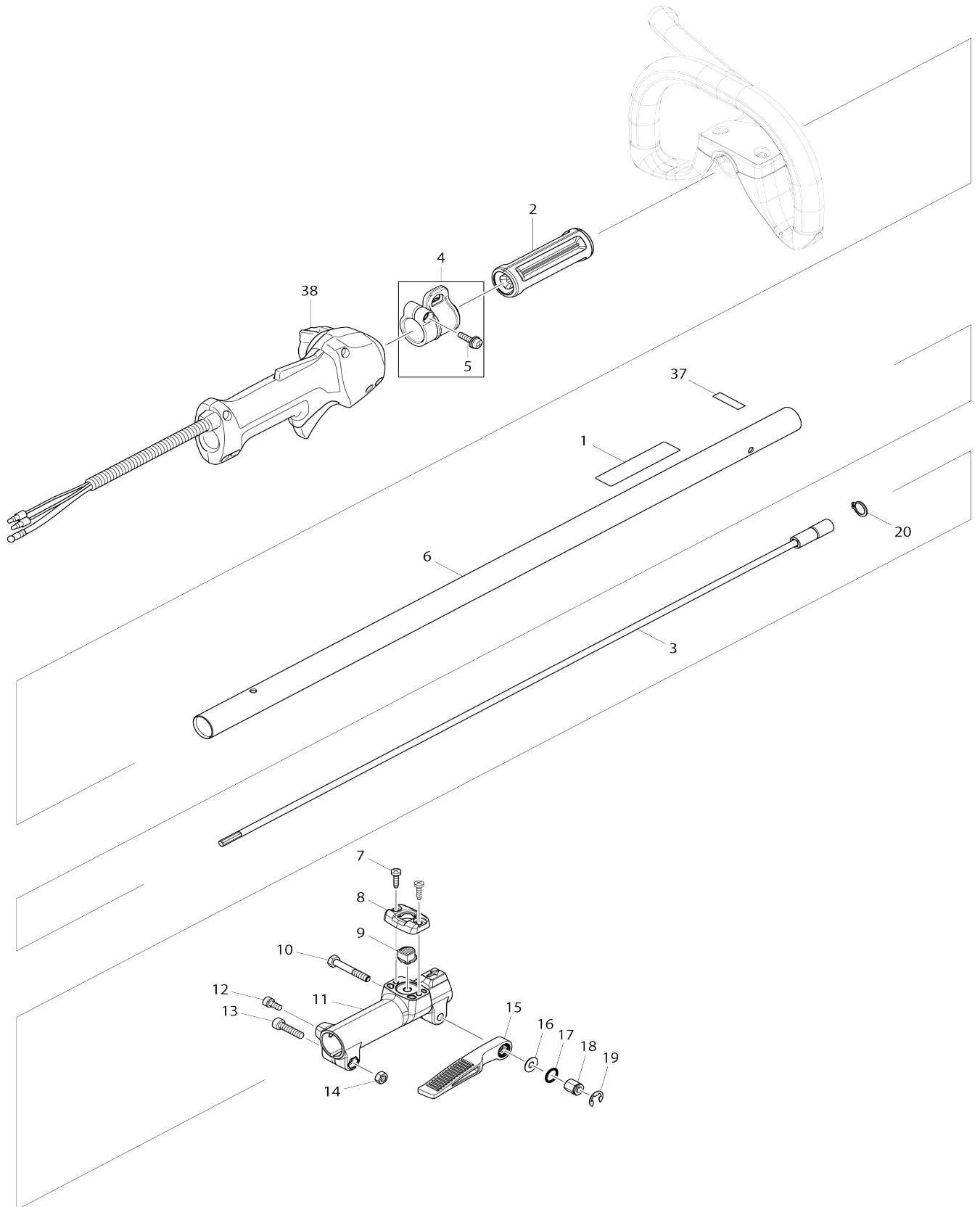
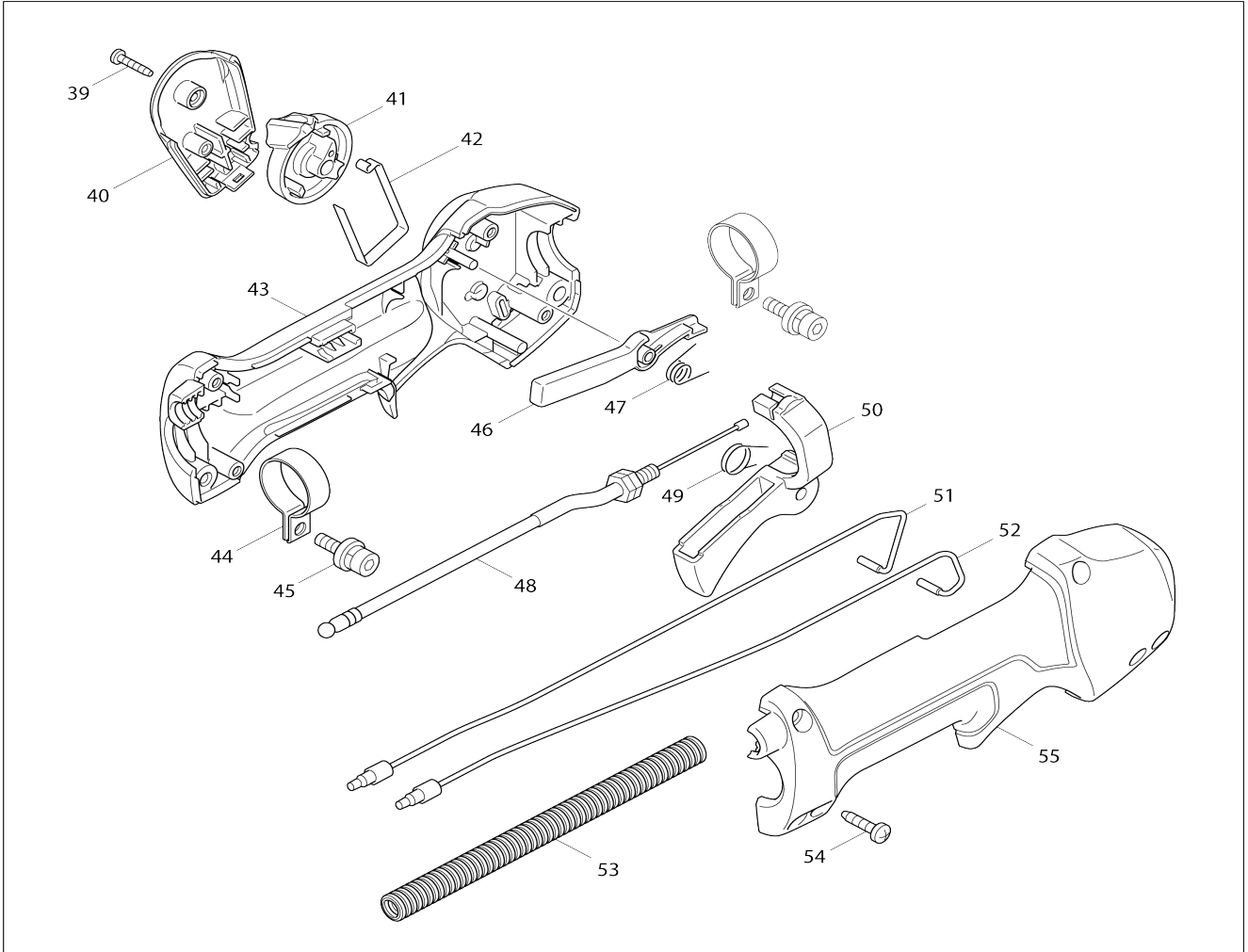


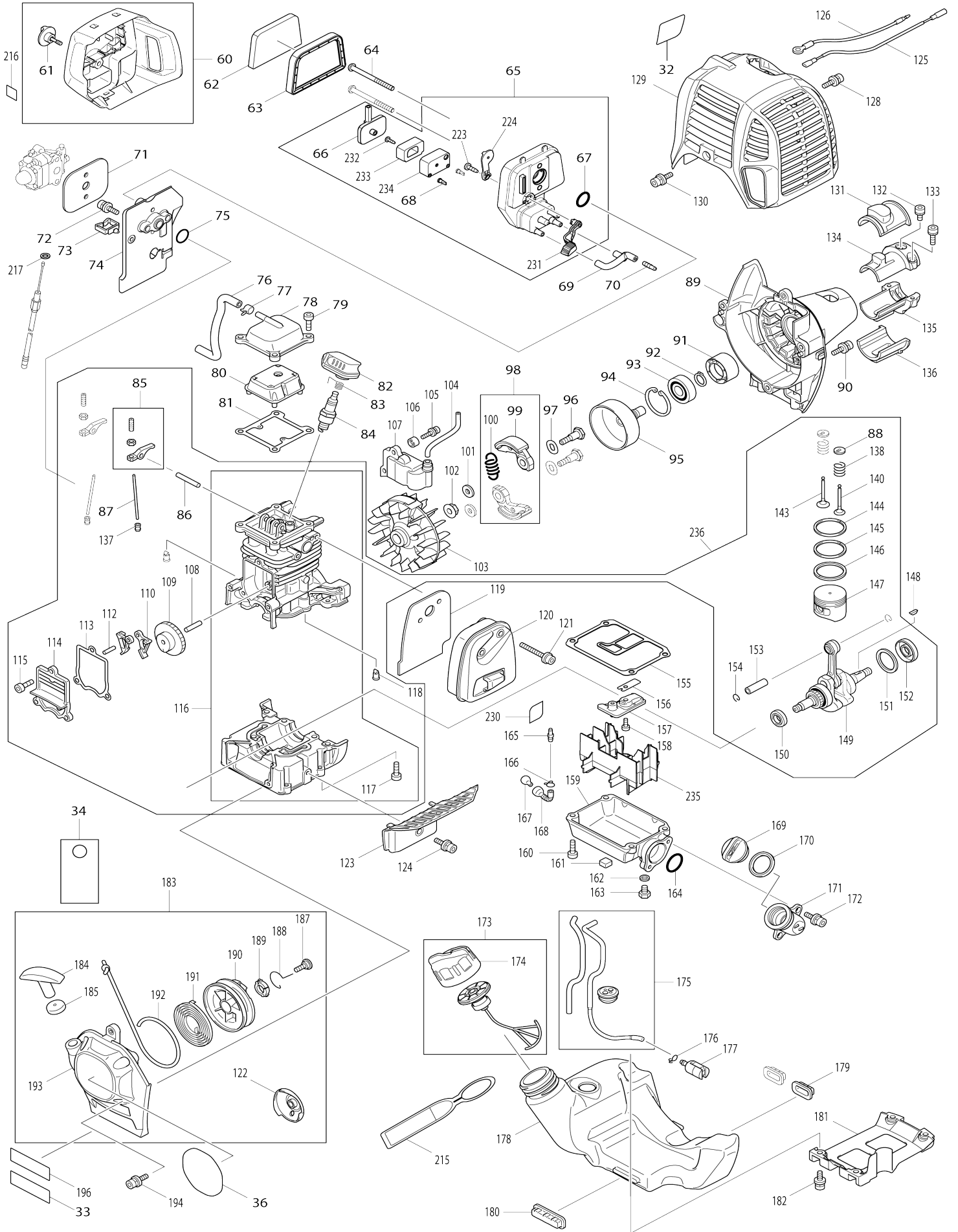
Model No.EX2650LH MULTI FUNCTION POWER HEAD



Model No.EX2650LH MULTI FUNCTION POWER HEAD

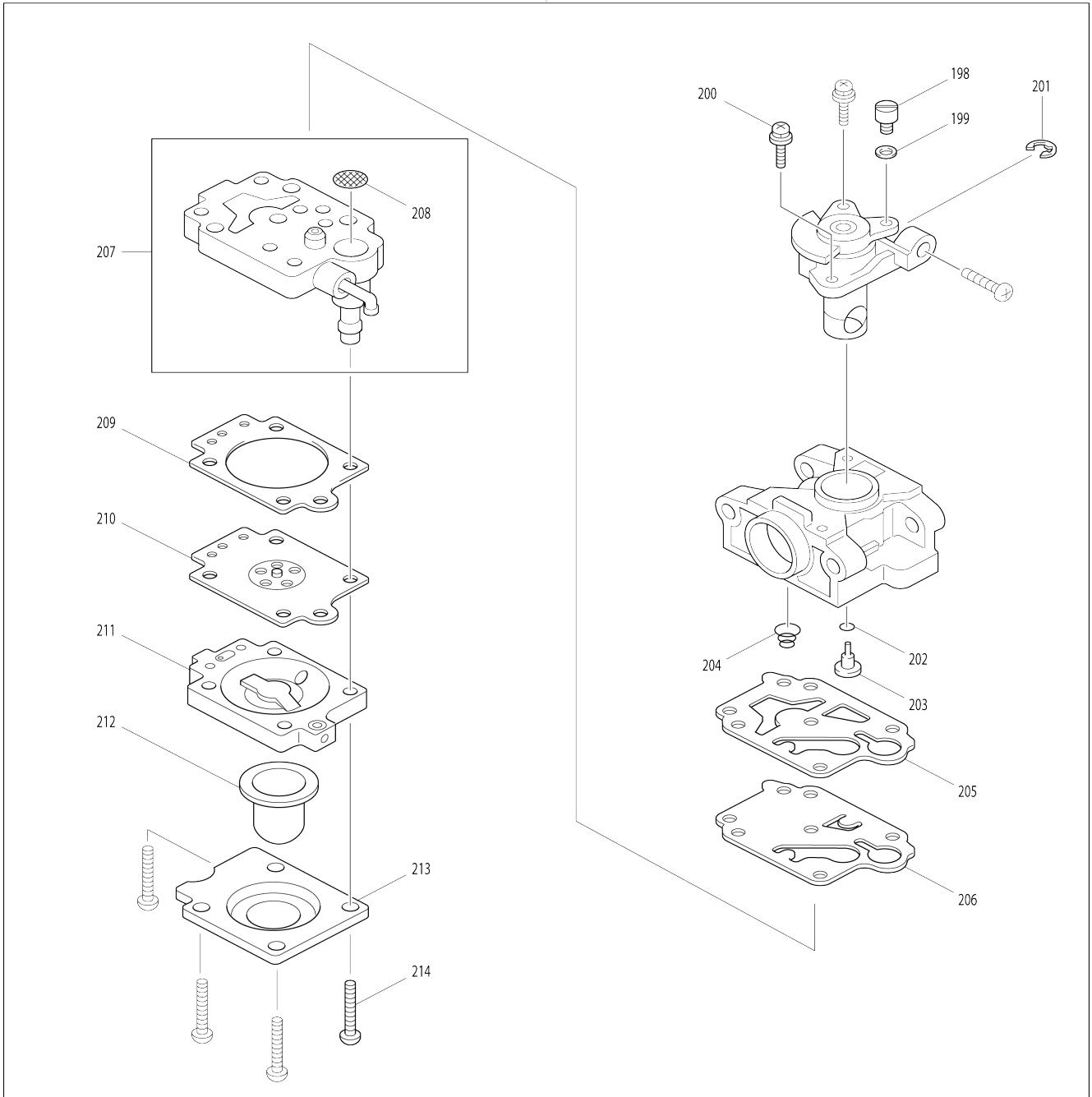


Model No.EX2650LH MULTI FUNCTION POWER HEAD



Model No.EX2650LH MULTI FUNCTION POWER HEAD

197



Model No.EX2650LH MULTI FUNCTION POWER HEAD

Item No.	Parts No.	Description	Interchangability	Q'ty	New/Old	Note1	Note2
001	893509-7	CAUTION LABEL		1			
002	451601-1	SPACER 24		1			
003	141238-9	SHAFT B COMPLETE		1			
004	195143-2	HANGER SET		1			
D10		INC. 5					
005	911233-1	PAN HEAD SCREW M5X20		1			
006	141008-6	SHAFT PIPE B COMPLETE		1			
007	266034-5	TAPPING SCREW CT 4X16		2			
008	452840-6	RELEASE BUTTON COVER		1			
009	452839-1	RELEASE BUTTON		1			
010	265596-0	HEX.BOLT M6X40		1			
011	318750-6	JOINT 24		1	*		
011-1	312D49-5	JOINT24	<	1			
012	922211-6	H.S.H.BOLT M5X12 WITH W		1			
013	922342-1	HEX. SOCKET HEAD BOLT M6X25		1			
014	931302-2	HEX. NUT M6		1			
015	272268-0	LEVER 94		1			
016	253332-6	THIN WASHER 6		1			
017	213105-9	O RING 11		1			
018	252159-1	HEX. NUT M6		1			
019	961014-3	STOP RING E-8		1			
020	961052-5	RETAINING RING (EXT) S-12		1			
032	806902-6	GAS EMISSION APPROVAL LABEL		1	*		
032-1	806902-6	GAS EMISSION APPROVAL LABEL	O	1	*		
033	816567-6	SERIAL NO. LABEL		1			
034	819430-2	CAUTION TAG		1			
036	893507-1	EX2650LH MODEL NO. LABEL		1	*		
036-1	809M02-9	EX2650LH MODEL NO. LABEL	<	1			
037	819760-1	DATE CODE LABEL		1	*		
037-1	814A82-0	DATE CODE LABEL	X	1	*		
037-2	801D19-4	SERIAL NO. LABEL	<	1			
038	125776-9	CONTROL LEVER ASSEMBLY		1	*		
D10		INC. 39-55					
038-1	126488-7	CONTROL LEVER ASSEMBLY	<	1			
D10		INC. 39-55					
039	266130-9	TAPPING SCREW BIND PT 3X16		1			
040	451595-0	SWITCH COVER		1			
041	451594-2	SWITCH LEVER		1			
042	232251-9	LEAF SPRING		1			
043	188832-6	LEVER CASE SET		1			
D10		INC. 55					
044	346248-3	CLAMP 24		2	*		
044-1	346248-3	CLAMP 24	O	2			
045	922218-2	H.S.H.BOLT M5X14 WITH WR		2			
046	451593-4	LOCK LEVER		1			
047	233541-3	TORSION SPRING 7		1			
048	168571-4	CONTROL CABLE		1			

049	233540-5	TORSION SPRING 11		1		
050	451592-6	THROTTLE LEVER		1	*	
050-1	455313-8	THROTTLE LEVER	<	1		
051	638714-7	LEAD UNIT		1		
052	638713-9	LEAD UNIT		1		
053	452071-7	CORRUGATE TUBE		1		
054	266326-2	TAPPING SCREW 4X18		4		
055	188832-6	LEVER CASE SET		1		
D10		INC. 43				
060	126202-1	CLEANER COVER ASSEMBLY		1	*	
D10		INC. 61				
060-1	123499-3	CLEANER COVER ASSEMBLY	S	1		
D10		INC. 61				
061	265791-2	THUMB SCREW M4		1		
062	443171-4	AIR CLEANER ELEMENT		1	*	
062-1	443171-4	AIR CLEANER ELEMENT	O	1		
063	443169-1	AIR CLEANER ELEMENT		1		
064	266618-9	H.S.BUTTON HEAD BOLT M5X60		2		
065	126198-6	CLEANER PLATE ASSEMBLY		1	*	
D10		INC. 66-68,223,224,231-234				
065-1	123501-2	CLEANER PLATE ASSEMBLY	S	1		
D10		INC. 66-68,223,224,231-234				
066	162346-3	SEPARATOR PLATE		1		
067	213540-1	O RING 15		1		
068	424316-3	CHECK VALVE		2		
069	422099-9	PIPE		1		
070	325665-0	JOINT PIPE		1		
071	442153-3	CARBURETOR GASKET		1		
072	266787-6	H.S.H.BOLT M5X18 WITH WR		2		
073	451825-9	CLAMP		1		
074	451729-5	INSULATOR		1		
075	213547-7	O-RING 12		1		
076	422109-2	BREATHER PIPE		1		
077	345918-1	HOSE CLAMP		1		
078	318745-9	ROCKER COVER OUTER		1		
079	922222-1	HEX. SOCKET HEAD BOLT M5X16		4		
080	453860-3	ROCKER COVER INNER		1		
081	162304-9	ROCKER COVER GASKET		1		
082	424302-4	PLUG CAP		1		
083	324891-8	PLUG CAP SPRING		1		
084	168534-0	SPARK PLUG		1		
085	125554-7	ROCKER ARM ASSEMBLY		2		
086	256200-2	PIN 5		1		
087	256865-0	ROD 2.5		2		
088	325668-4	SPRING RETAINER		2		
089	451735-0	CLUTCH CASE		1		
090	922228-9	H.S.H.BOLT M5X18 WITH WR		3		
091	450569-8	SPACER		1	*	
091-1	450569-8	SPACER	O	1		
092	961052-5	RETAINING RING (EXT) S-12		1		
093	210111-5	BALL BEARING 6201LLU		1		
094	962151-6	RETAINING RING R-32		1		

095	165704-2	CLUTCH DRUM		1	*		
095-1	161588-6	CLUTCH DRUM COMPLETE	<	1			
096	266457-7	SHOULDER HEX. BOLT M6X25		2	*		
096-1	266864-4	SHOULDER HEX. BOLT M6X25	O	2			
097	267817-6	WASHER 8		2			
098	126135-0	CLUTCH ASSEMBLY		1			
D10		INC. 99,100					
099	168498-8	CLUTCH SHOE		2	*		
099-1	161332-1	CLUTCH SHOE	O	2			
100	231881-3	TENSION SPRING 7		1			
101	267812-6	WASHER 6		2			
102	264039-9	CONED DISK SPRING HEXNUT M 8-13		1	*		
102-1	264039-9	CONED DISK SPRING HEXNUT M 8-13	<	1			
103	318569-3	FLYWHEEL		1			
104	444021-6	TUBE		1			
105	266602-4	HEX. SOCKET HEAD BOLT M4X20		2			
106	452049-0	SPACER		2			
107	168559-4	IGNITION COIL		1			
108	268238-5	PIN 5		1			
109	125552-1	CAM GEAR ASSEMBLY		1			
110	313169-4	CAM LIFTER		2			
112	268239-3	PIN 4		1			
113	162274-2	CAM GEAR COVER GASKET		1			
114	318443-5	CAM GEAR COVER		1			
115	922222-1	HEX. SOCKET HEAD BOLT M5X16		3			
116	135478-9	CYLINDER BLOCK ASSEMBLY		1	*		
D10		INC. 117					
116-1	135478-9	CYLINDER BLOCK ASSEMBLY	<	1			
D10		INC. 88,117,118					
117	922222-1	HEX. SOCKET HEAD BOLT M5X16		6			
118	424201-0	CHECK VALVE		2			
119	346331-6	MUFFLER GASKET		1			
120	168554-4	EXHAUST MUFFLER		1			
121	266440-4	HEX SOCKET HEAD BOLT M5X40		2			
122	168483-1	PULLEY		1			
123	451731-8	MUFFLER PLATE		1			
124	922218-2	H.S.H.BOLT M5X14 WITH WR		1			
125	638707-4	LEAD UNIT		1			
126	638708-2	LEAD UNIT		1			
128	922218-2	H.S.H.BOLT M5X14 WITH WR		1			
129	453266-5	CYLINDER COVER		1			
130	922218-2	H.S.H.BOLT M5X14 WITH WR		1			
131	424082-2	BUFFER RUBBER		1			
132	922211-6	H.S.H.BOLT M5X12 WITH W		1			
133	922226-3	HEX. SOCKET HEAD BOLT M5X18		2			
134	318249-1	PIPE HOLDER		1			
135	318250-6	PIPE HOLDER		1			
136	424083-0	BUFFER RUBBER		1			
137	424200-2	SPACER		2			
138	234108-0	COMPRESSION SPRING 9		2			

140	325669-2	EXHAUST VALVE		1	*		
140-1	326366-3	EXHAUST VALVE	O	1			
143	325670-7	INTAKE VALVE		1	*		
143-1	326367-1	INTAKE VALVE	O	1			
144	257298-2	PISTON RING (TOP) 34		1	*		
144-1	195145-8	PISTON RING SET	S	1			
145	257299-0	PISTON RING (SECOND) 34		1	*		
146	257300-1	PISTON RING 34		1	*		
147	318441-9	PISTON		1			
148	254040-2	WOODRUFF KEY 3		1			
149	135481-0	CRANK SHAFT ASS'Y		1	*		
149-1	126204-7	CRANK SHAFT ASS'Y	S	1	*		
D10		INC. 150-152					
149-2	126359-8	CRANK SHAFT ASSEMBLY	O	1	*		
D10		INC. 150-152					
149-3	123774-7	CRANK SHAFT ASSEMBLY	<	1			
D10		INC. 150-152					
150	213148-1	OIL SEAL 10		1	*		
150-1	213148-1	OIL SEAL 10	S	1	*		
150-2	213769-9	OIL SEAL 10	<	1			
151	267400-9	FLAT WASHER 23		1	*		
151-1	267400-9	FLAT WASHER 23	S	1			
152	213147-3	OIL SEAL 12		1	*		
152-1	213147-3	OIL SEAL 12	S	1	*		
152-2	213089-1	OIL SEAL 12	<	1			
153	257781-9	PISTON PIN		1			
154	233976-8	CLIP		2			
155	162345-5	OIL CASE GASKET		1			
156	346083-9	LEAD VALVE		1			
157	318910-0	RETAINER PLATE		1			
158	922112-8	HEX. SOCKET HEAD BOLT M4X10		1			
159	318588-9	OIL CASE		1			
160	922222-1	HEX. SOCKET HEAD BOLT M5X16		4			
161	424344-8	DAMPER		1			
162	346305-7	GASKET		1			
163	266611-3	HEX BOLT M6X8		1			
164	213548-5	O-RING 20		1			
165	325665-0	JOINT PIPE		1			
166	282020-8	HOSE CLAMP		1	*		
166-1	282020-8	HOSE CLAMP	O	1			
167	325666-8	OIL WEIGHT		1	*		
167-1	325666-8	OIL WEIGHT	O	1			
168	424301-6	OIL TUBE		1	*		
168-1	125805-8	OIL TUBE ASSEMBLY	S	1			
C10	424301-6	OIL TUBE		1			
D10		INC. 166,167					
169	452047-4	OIL CAP		1			
170	424343-0	GASKET		1			
171	452048-2	OIL PIPE		1			
172	922218-2	H.S.H.BOLT M5X14 WITH WR		2			
173	125728-0	FUEL TANK CAP ASSEMBLY		1	*		
D10		INC. 174					

173-1	127112-5	FUEL TANK CAP ASSEMBLY	O	1		
D10		INC. 174				
174	451739-2	FUEL TANK CAP		1		
175	168755-4	TUBE COMPLETE		1		
176	282020-8	HOSE CLAMP		1		
177	163518-3	GASOLINE FILTER		1		
178	451736-8	FUEL TANK		1		
179	424080-6	BUFFER RUBBER		2		
180	424081-4	BUFFER RUBBER		1		
181	451737-6	TANK GUARD		1		
182	922218-2	H.S.H.BOLT M5X14 WITH WR		4		
183	195308-6	RECOIL STARTER SET		1		
D10		INC. 122,184,185,187-193				
184	424319-7	STARTER KNOB		1		
185	424359-5	DAMPER		1		
187	266585-8	TAPPING SCREW 5X12		1		
188	325923-4	SWING ARM		1		
189	451938-6	COLLAR		1		
190	451937-8	REEL		1		
191	232258-5	SPIRAL SPRING		1		
192	444023-2	STARTER ROPE		1		
193	451733-4	STARTER CASE		1		
194	922223-9	H.S.H.BOLT M5X16 WITH WR		4		
196	816565-0	MAKITA LOGO LABEL		1		
197	168762-7	CARBURETOR		1		
D10		INC. 198-207,209-214				
198	325922-6	SWIVEL		1		
199	413140-9	WASHER		1		
200	266581-6	PAN HEAD SCREW M3X8 WITH W		2	*	
200-1	WJ00096364	SCREW M3X8 WITH WASHER	O	2		
201	257964-1	STOP RING E-3		1		
202	213538-8	O RING 2		1		
203	325985-2	JET		1		
204	234183-6	CONICAL COMPRESSION SPRING 5-9		1		
205	442155-9	PUMP GASKET		1		
206	168575-6	PUMP DIAPHRAGM		1	*	
206-1	WJ00009599	PUMP DIAPHRAGM	O	1		
207	141737-1	PUMP BODY		1		
D10		INC. 208				
208	352021-1	INLET SCREEN		1		
209	442154-1	METERING DIAPHRAGM GASKET		1		
210	168620-7	METERING DIAPHRAGM		1		
211	140438-8	AIR PURGE BODY		1		
212	424314-7	PRIMER PUMP		1		
213	346270-0	PRIMER PUMP COVER		1		
214	266582-4	TAPPING SCREW 3X24		4		
215	810455-9	CAUTION PLATE		1		
216	800F73-7	INDICATION LABEL		1		
217	941152-7	FLAT WASHER 6		1		
223	266427-6	TAPPING SCREW 4X12		1		
224	452219-1	CHOKE PLATE		1		

231	452220-6	CHOKE LEVER		1		
232	266007-8	TAPPING SCREW BIND PT 3X10		1		
233	352020-3	SEPARATOR MESH		1		
234	453865-3	SEPARATOR CASE		1		
235	453862-9	OIL CASE PLATE		1		
236	135599-7	SHORT BLOCK ASS'Y 25.4CC		1	*	
D10		INC. 85-88,108-110,112-118,137				
D20		INC. 138,140,143-147,149-154				
236-1	135668-4	SHORT BLOCK ASS'Y 25.4CC	O	1		
D10		INC. 85-88,108-110,112-118,137				
D20		INC. 138,140,143-147,149-154				
A01	125516-5	BAND ASSEMBLY		1		
A02	195500-4	OIL SET		1	*	
A02-1	197007-6	OIL SET	O	1	*	
A02-2	191A18-9	OIL SET	O	1	*	
A02-3	197007-6	OIL SET	O	1		
A03	195515-1	LOOP HANDLE SET		1		
C10	346467-1	CLAMP 24		1	*	
C12	347094-7	CLAMP 24	O	1		
C20	346468-9	CLAMP 33		1	*	
C30	452842-2	CLAMP COVER A		1		
C40	922244-1	H.S.H.BOLT M5X25 WITH WG		2		
A04	783013-3	BOX DRIVER 16-17		1		
A05	783202-0	HEX. WRENCH 4		1		
A06	831304-7	ACCESSORY BAG		1		
F01	195638-5	TOOL BAG SET		1		
F06	195649-0	BRUSH CUTTER ATTACHMENT SET		1		
A07	122936-4	TRIMMER HEAD ASSEMBLY 94-M 10L		1		
A08	***EM400MP	BRUSH CUTTER ATTACHMENT		1		
D10		COMPO-PARTS				
D20		INC. A09				
A09	783217-7	HEX. WRENCH 5		1		
A10	195638-5	TOOL BAG SET		1		

Please state Parts No. when your order.

Print Date 23/10/2023