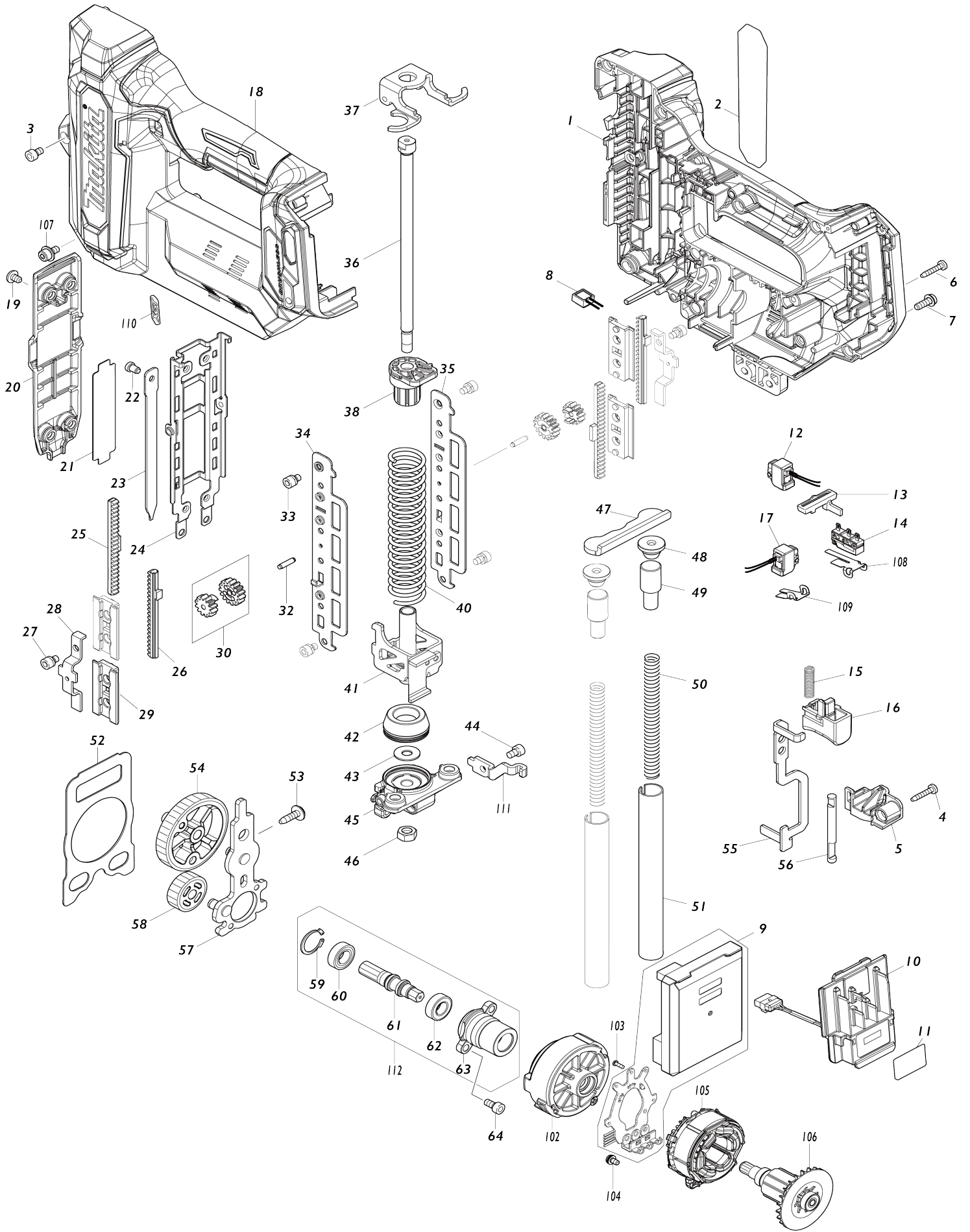
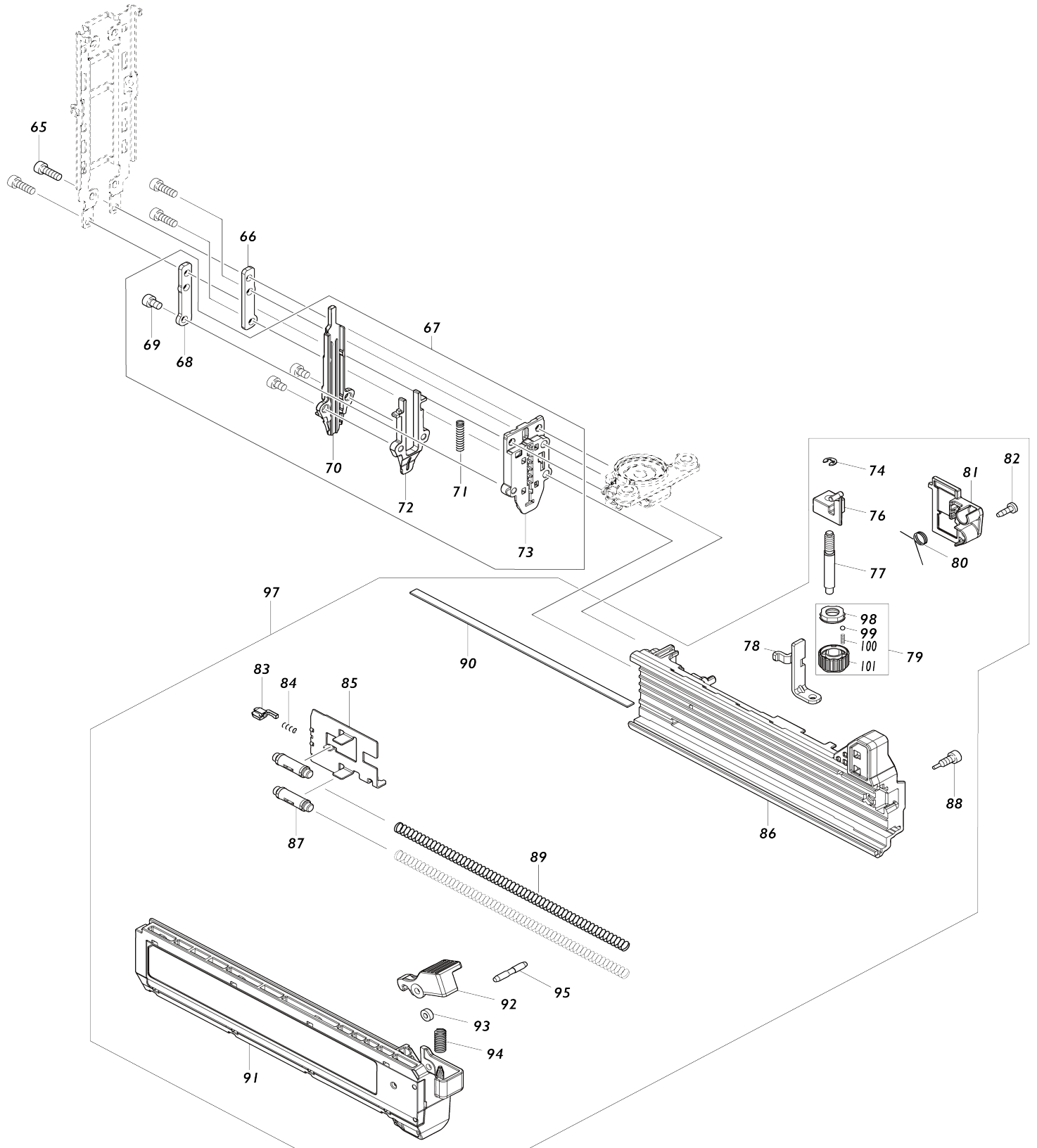


Model No.FN001G 40MM CORDLESS BRAD NAILER



Model No.FN001G 40MM CORDLESS BRAD NAILER



Model No.FN001G 40MM CORDLESS BRAD NAILER

Item No.	Parts No.	Description	Interchangability	Q'ty	New/Old	Note1	Note2
001	183S31-9	HOUSING SET		1			
C10	263005-3	RUBBER PIN 6		2			
C20	252126-6	HEX. LOCK NUT M4-7		2			
D10		INC. 18					
002	811922-7	FN001G NAME PLATE		1			
003	266199-3	HEX.SOCKET HEAD BOLT M4X6		2			
004	266130-9	TAPPING SCREW BIND PT 3X16		1			
005	413327-3	HOUSING R COVER		1			
006	266130-9	TAPPING SCREW BIND PT 3X16		9			
007	911108-4	PAN HEAD SCREW M4X8		2			
008	620507-6	LED CIRCUIT		1			
009	620F54-3	CONTROLLER		1			
010	632P49-4	TERMINAL UNIT		1			
011	811926-9	FN001G SERIAL NO. LABEL		1			
012	140W22-7	SWITCH COMPLETE		1			
013	456799-9	TRIGGER LOCK		1			
014	632S31-1	SWITCH UNIT		1			
015	232370-1	COMPRESSION SPRING 5		1			
016	413328-1	TRIGGER		1			
017	140W22-7	SWITCH COMPLETE		1			
018	183S31-9	HOUSING SET		1			
C10	263005-3	RUBBER PIN 6		2			
C20	252126-6	HEX. LOCK NUT M4-7		2			
D10		INC. 1					
019	915101-0	BINDING HEAD SCREW M4X6		4			
020	413326-5	FRONT COVER		1			
021	347528-0	UPPER PLATE		1			
022	256882-0	FLAT FILLISTER HD. PIN 4		1			
023	347791-5	DRIVER		1			
024	347793-1	RAIL		1			
025	313352-3	COUNTER WEIGHT A		2			
026	310925-3	COUNTER WEIGHT B		2			
027	251566-5	H.S.H BOLT M4X6 WITH W		2			
028	347146-4	PINION GUIDE		2			
029	413330-4	COUNTER WEIGHT HOLDER		4			
030	136104-3	SPUR GEAR ASSEMBLY		2			
032	326902-5	PINION SHAFT		2			
033	251566-5	H.S.H BOLT M4X6 WITH W		4	*		
033-1	266199-3	HEX.SOCKET HEAD BOLT M4X6	<	4			
034	347801-8	GUIDE RAIL L		1			
035	347802-6	GUIDE RAIL R		1			
036	327756-3	GUIDE BOLT		1			
037	347796-5	BOTTOM PLATE		1			
038	313353-1	BOTTOM HOLDER		1			
040	232670-9	COMPRESSION SPRING 16		1			
041	347794-9	HAMMER		1			
042	422664-4	CUSHION		1			

043	253804-1	FLAT WASHER 6		1		
044	922107-1	HEX. SOCKET HEAD BOLT M4X8		1		
045	312A82-9	HOLDER		1		
046	252273-3	HEX. NUT M6		1		
047	347797-3	COUNTER STOPPER		1		
048	422663-6	COUNTER CUSHION		2		
049	327757-1	WEIGHT		2		
050	232671-7	COMPRESSION SPRING 9		2		
051	327754-7	GUIDE PIPE		2		
052	347795-7	GEAR PLATE		1		
053	266901-4	TAPPING SCREW 4X14		1		
054	140Y40-7	SPUR GEAR 64 COMPLETE		1		
055	347800-0	LOCK ARM		1		
056	327753-9	LOCK PIN		1		
057	140Y39-2	BASE PLATE COMPLETE		1		
058	227860-7	SPUR GEAR 29		1		
059	962067-5	RETAINING RING R-17		1		
060	211099-2	BALL BEARING 689ZZ		1		
061	227859-2	SPUR GEAR 9		1		
062	211343-7	BALL BEARING 688ZZ		1		
063	312A84-5	BEARING CASE		1		
064	265911-8	HEX. SOCKET HEAD BOLT M4X8		2		
065	922117-8	HEX. SOCKET HEAD BOLT M4X12		4		
066	347523-0	PLATE		1		
067	127761-8	DRIVER GUIDE ASSEMBLY		1		
D10		INC. 68-73				
068	347523-0	PLATE		1		
069	922102-1	HEX. SOCKET HEAD BOLT M4X6		3		
070	313350-7	DRIVER GUIDE		1		
071	232512-7	COMPRESSION SPRING 3		1		
072	313351-5	CENTER PLATE		1		
073	313349-2	SET PLATE		1		
074	961017-7	STOP RING E-3		1		
076	413321-5	CONTACT ARM		1		
077	327755-5	ADJUSTER SHAFT		1		
078	347799-9	ARM		1		
079	127763-4	ADJUSTER ASSEMBLY		1		
D10		INC. 98-101				
080	232514-3	TORSION SPRING 7		1		
081	413325-7	ADJUSTER COVER		1		
082	266007-8	TAPPING SCREW BIND PT 3X10		1		
083	310176-8	STOPPER		1		
084	233018-8	COMPRESSION SPRING 3		1		
085	347792-3	PUSHER		1		
086	413324-9	MAGAZINE		1		
087	459313-0	SLEEVE		2		
088	265A52-6	HEX.SOCKET HEAD BOLT M4X14		1		
089	234325-2	COMPRESSION SPRING 6		2		
090	346774-2	NAIL PLATE		1		
091	140Y45-7	SLIDE DOOR COMPLETE		1		
092	413329-9	LEVER		1		
093	262054-7	URETHANE RING 3		1		

094	233117-6	COMPRESSION SPRING 6		1		
095	256877-3	PIN 3		1		
097	136392-2	MAGAZINE ASSY		1		
D10		INC. 74,76-95				
098	413323-1	ADJUSTER GUIDE		1		
099	216031-1	STEEL BALL 2.3		1		
100	234254-9	COMPRESSION SPRING 2		1		
101	413322-3	ADJUSTER		1		
102	127760-0	GEAR ASSEMBLY		1		
103	266490-9	TAPPING SCREW PT 2X6		3		
104	652069-6	FLAT HEAD SCREW M3X6		3		
105	629464-5	STATOR		1		
106	619676-8	ROTOR		1		
107	265B75-0	H.S.H.BOLT M4X8 WITH WG		2		
108	232672-5	LEAF SPRING		1		
109	232673-3	LEAF SPRING		1		
110	8007R2-2	XGT LOGO LABEL		1		
111	347798-1	HOLDER PLATE		1		
112	136444-9	SPUR GEAR 9 ASSY		1		
D10		INC. 59-63				
A02	251314-2	+ SCREW M4X12		1		
A03	346317-0	HOOK		1		
A04	422665-2	NOSE ADAPTER S		1		
A05	783201-2	HEX. WRENCH 3		1		

Please state Parts No. when your order.

Print Date 10/26/2023