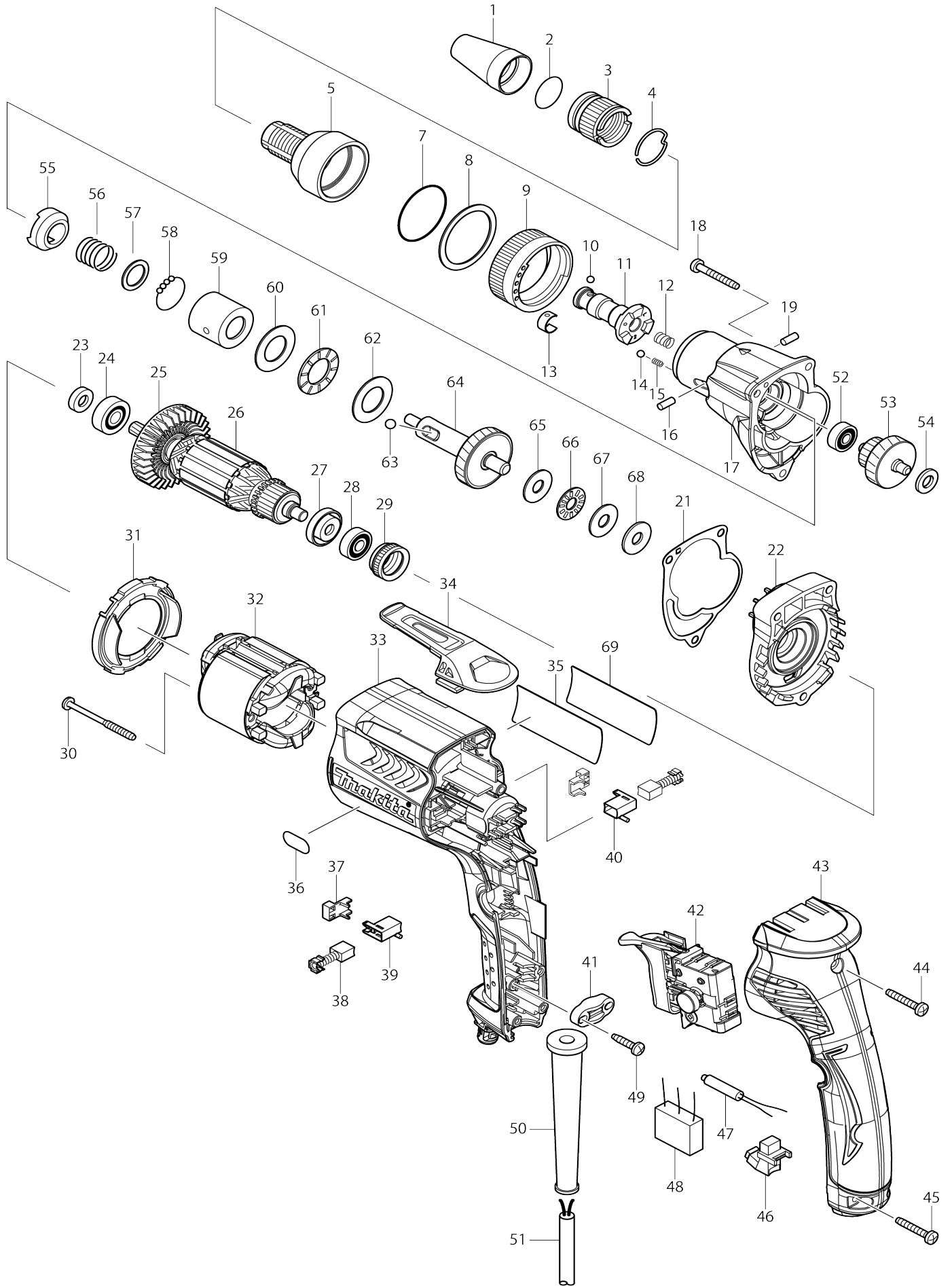


Model No.FS2700 SCREW DRIVER



Model No.FS2700 SCREW DRIVER

Item No.	Parts No.	Description	Interchangability	Q'ty	New/Old	Note1	Note2
001	322120-3	FRONT CAP 12		1			
002	213310-8	O RING 20		1			
003	322073-6	ADJUST SLEEVE		1			
004	231940-3	RING SPRING 22		1			
005	168552-8	Clutch cover complete A		1			
C10	313166-0	Brake ring		1			
007	213343-3	O RING 35		1			
008	253806-7	FLAT WASHER 36		1			
009	152841-1	RING 36 COMPLETE		1			
010	216001-0	STEEL BALL 3.5		1			
011	325606-6	Spindle 270D		1			
012	234095-3	Compression spring 6		1			
013	232050-9	LEAF SPRING		1			
014	216008-6	STEEL BALL 4		1			
015	233314-4	COMPRESSION SPRING 4		1			
016	268075-7	PIN 4		1			
017	318387-9	Gear housing TC		1			
018	266361-0	TAPPING SCREW 4X30		3			
019	268075-7	PIN 4		1			
021	442149-4	GASKET		1			
022	158982-1	GEAR HOUSING COVER COMPLETE		1			
023	451099-2	RING 7		1			
024	210007-0	BALL BEARING 608VV		1			
025	240083-0	FAN 52		1			
026	515764-8	ARMATURE ASSEMBLY 240V		1			
D10		INC. 23-25,27,28					
027	681636-0	INSULATION WASHER		1			
028	210062-2	BALL BEARING 607ZZ		1			
029	421868-5	LABYRINTH RUBBER RING 19		1			
030	266467-4	TAPPING SCREW 4X50		2			
031	450880-8	BAFFLE PLATE		1			
032	633693-4	FIELD 220-240V		1			
033	450878-5	MOTOR HOUSING L		1			
034	162272-6	HOOK		1			
035	867048-3	Name plate FS2700		1			
036	808574-3	INDICATION LABEL		1			
037	689111-0	SPACER		2			
038	191962-4	CARBON BRUSH CB-419		1			
039	643952-8	BRUSH HOLDER		1			
040	643953-6	BRUSH HOLDER		1			
041	687124-5	STRAIN RELIEF		1			
042	650614-1	SWITCH		1			
043	158878-6	HANDLE COVER L COMPLETE		1			
C10	263002-9	RUBBER PIN 4		2			
044	266374-1	TAPPING SCREW 4X25		1			
045	266374-1	TAPPING SCREW 4X25		2			
046	631939-2	LIGHT CIRCUIT		1			

047	646122-8	CHOKE COIL		1		
048	645253-0	NOISE SUPPRESSOR		1		
049	265995-6	TAPPING SCREW 4X18		2		
050	682559-5	CORD GUARD 8		1		
051	695034-2	POWER SUPPLY CORD 1.0-2-4.0		1		
052	211012-0	BALL BEARING 606ZZ		1		
053	226157-1	GEAR COMPLETE 17-39		1		
054	267017-8	FLAT WASHER 8		1		
055	223073-8	CLUTCH CAM		1		
056	231423-3	COMPRESSION SPRING 13.6		1		
057	253837-6	FLAT WASHER 14		1		
058	216014-1	STEEL BALL 3.2		16		
059	324209-3	SLEEVE		1		
060	216216-9	Washer 1730		1		
061	216423-4	Thrust needle cage 1730		1		
062	216216-9	Washer 1730		1		
063	216011-7	STEEL BALL 5.6		3		
064	158892-2	Spur gear 35 Complete		1		
065	216212-7	WASHER 821		1		
066	216415-3	THRUST NEEDLE CAGE 821		1	*	
066-1	216415-3	THRUST NEEDLE CAGE 821	O	1		
067	216212-7	WASHER 821		1		
068	261111-8	URETHANE WASHER 8		1		
069	819349-5	CLEAR LABEL		1	*	
069-1	892811-5	CLEAR LABEL		1		

Please state Parts No. when your order.

Print Date 23/10/2023