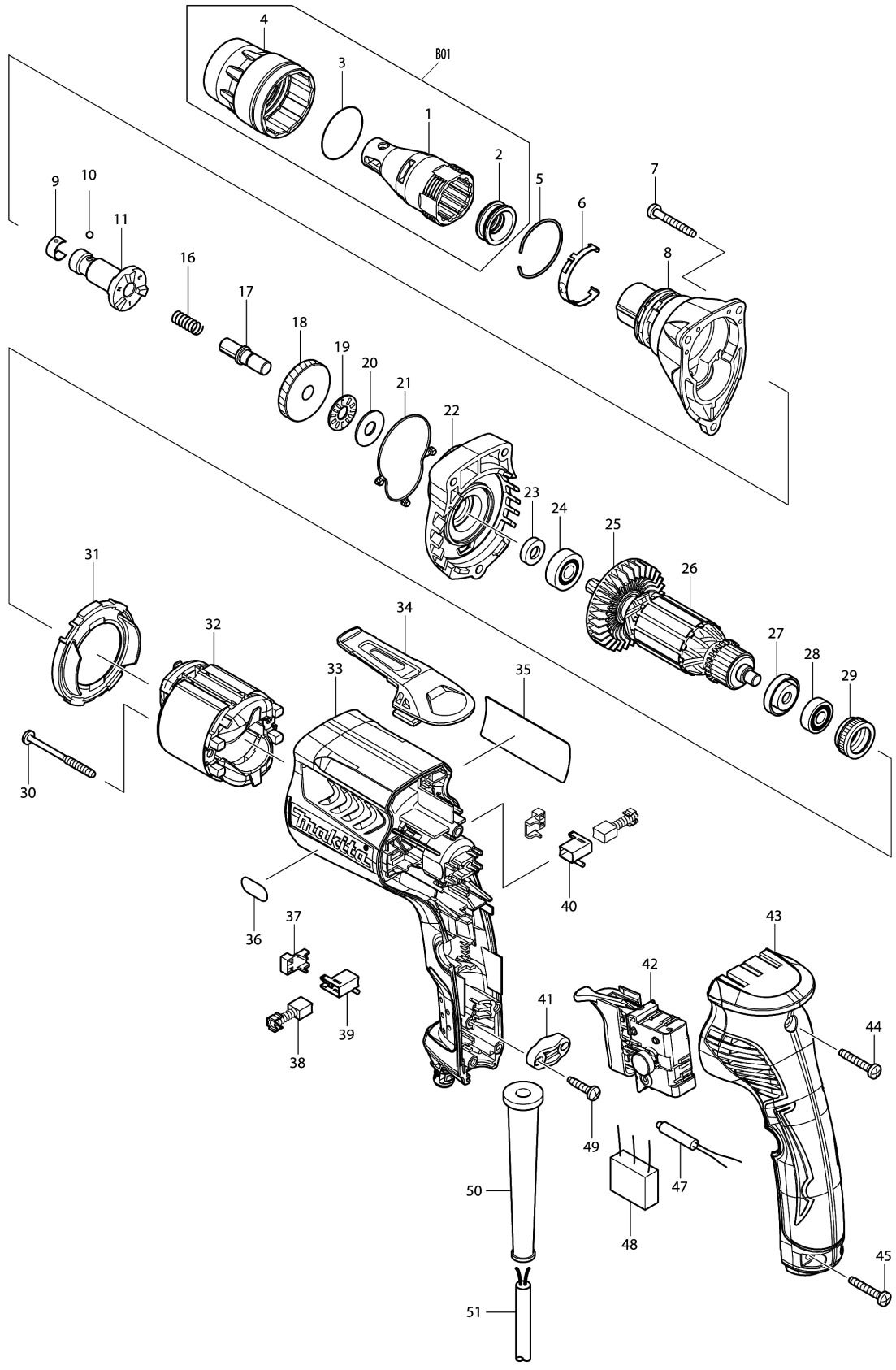


# Model No.FS4000 DRYWALL SCREWDRIVER



Model No.FS4000 DRYWALL SCREWDRIVER

Item	Parts No.	Description	I/C	Qty	New/Old	Opt. 1	Opt. 2	Note
001	158875-2	LOCATOR S COMPLETE		1				
002	424163-2	DUST SEAL SLEEVE		1				
003	424235-3	SEAL RING 30		1				
004	450881-6	LOCK RING		1	*			
004-1	455591-0	LOCK RING	O	1				
005	233974-2	RING SPRING 33		1				
006	232245-4	LEAF SPRING		1				
007	266361-0	TAPPING SCREW 4X30		3				
008	158883-3	GEAR HOUSING HP COMPLETE		1				
009	232050-9	LEAF SPRING		1				
010	216001-0	STEEL BALL 3.5		1				
011	324983-3	SPINDLE 125N		1				
016	233126-5	COMPRESSION SPRING 6		1				
017	268229-6	COLLARED PIN 8		1				
018A	226687-2	HELICAL GEAR 41N		1	*			
018-1A	227769-3	HELICAL GEAR 41N	<	1				
018-1B	227769-3	HELICAL GEAR 41N		1				
019	216415-3	THRUST NEEDLE CAGE 821		1	*			
019-1	216415-3	THRUST NEEDLE CAGE 821	O	1				
020	216212-7	WASHER 821		1				
021	424162-4	SEAL RING		1				
022	158874-4	GEAR HOUSING COVER COMPLETE		1				
023	451099-2	RING 7		1				
024	210007-0	BALL BEARING 608VV		1				
025	240083-0	FAN 52		1				
026	515759-1	ARMATURE ASSEMBLY 240V		1				
D10		INC. 23-25,27,28						
027	681636-0	INSULATION WASHER		1				
028	210062-2	BALL BEARING 607ZZ		1				
029	421868-5	LABYRINTH RUBBER RING 19		1				
030	266467-4	TAPPING SCREW 4X50		2				
031	450880-8	BAFFLE PLATE		1				
032	633693-4	FIELD 220-240V		1				
033	450885-8	MOTOR HOUSING L2		1				
034	162272-6	HOOK		1				
035	866602-0	FS4000 NAME PLATE		1				
036	808575-1	4000RPM INDICATION LABEL		1				
037	689111-0	SPACER		2				
038	191962-4	CARBON BRUSH CB-419		1				
039	643948-9	BRUSH HOLDER		1				
040	643951-0	BRUSH HOLDER		1				
041	687124-5	STRAIN RELIEF		1				
042	650614-1	SWITCH		1				
043	158878-6	HANDLE COVER L COMPLETE		1				

Please order the parts with part number.

Print Date 23/10/2023

Model No.FS4000 DRYWALL SCREWDRIVER

Item	Parts No.	Description	I/C	Qty	New/Old	Opt. 1	Opt. 2	Note
C10	263002-9	RUBBER PIN 4		2				
044	266374-1	TAPPING SCREW 4X25		1				
045	266374-1	TAPPING SCREW 4X25		2				
047	646122-8	CHOKE COIL		1				
048	645253-0	NOISE SUPPRESSOR		1				
049	265995-6	TAPPING SCREW 4X18		2				
050	682559-5	CORD GUARD 8		1				
051	695034-2	POWER SUPPLY CORD 1.0-2-4.0		1				
052A	819349-5	CLEAR LABEL		1	*			
052-1	892811-5	CLEAR LABEL		1				
053	423413-2	RUBBER PLATE		1				
A01	784261-7	+BIT 2-25		2				
A02	784811-8	MAGNETIC CONNECT BIT 6.35-60		1				
A03B	821549-5	CONNECTOR PLASTIC CASE (TYPE1)		1				
C10	453974-8	LATCH		4				
A04B	838030-9	INNER TRAY		1				
A05B	805A47-3	FS4000J INDICATION LABEL		1				
A06B	805A48-1	FS4000J PLASTIC CASE LABEL		2				
B01	197025-4	LOCATOR S SET		1				
D10		INC. 1-4						
F12	199156-5	SQUARE BIT 2-130 SET		1				
F14-2	191L23-2	AUTOFEED ATTACHMENT SET	<	1				
F16-2	191L24-0	AUTOFEED ATTACHMENT SET	<	1				

Please order the parts with part number.

Print Date 23/10/2023