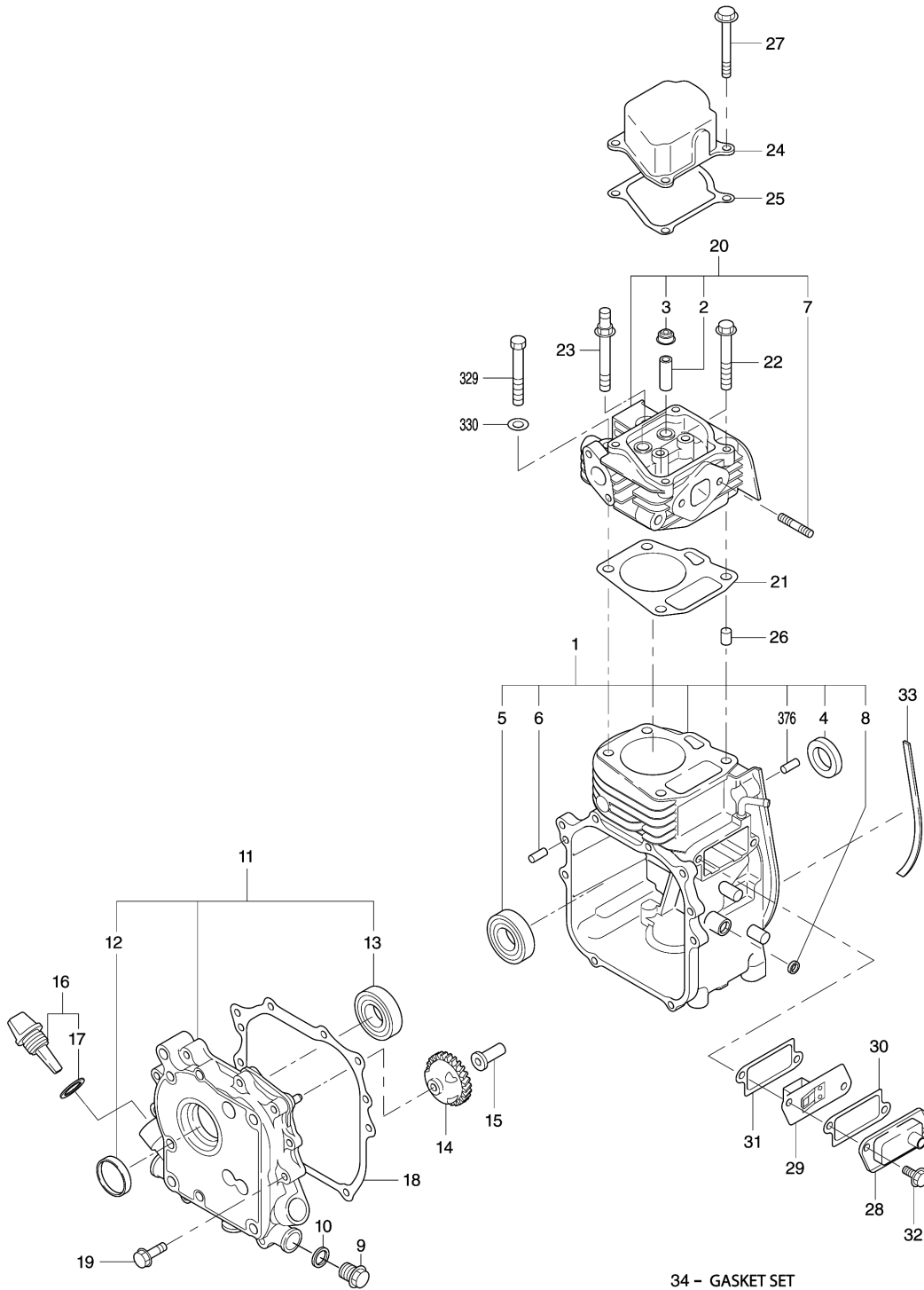
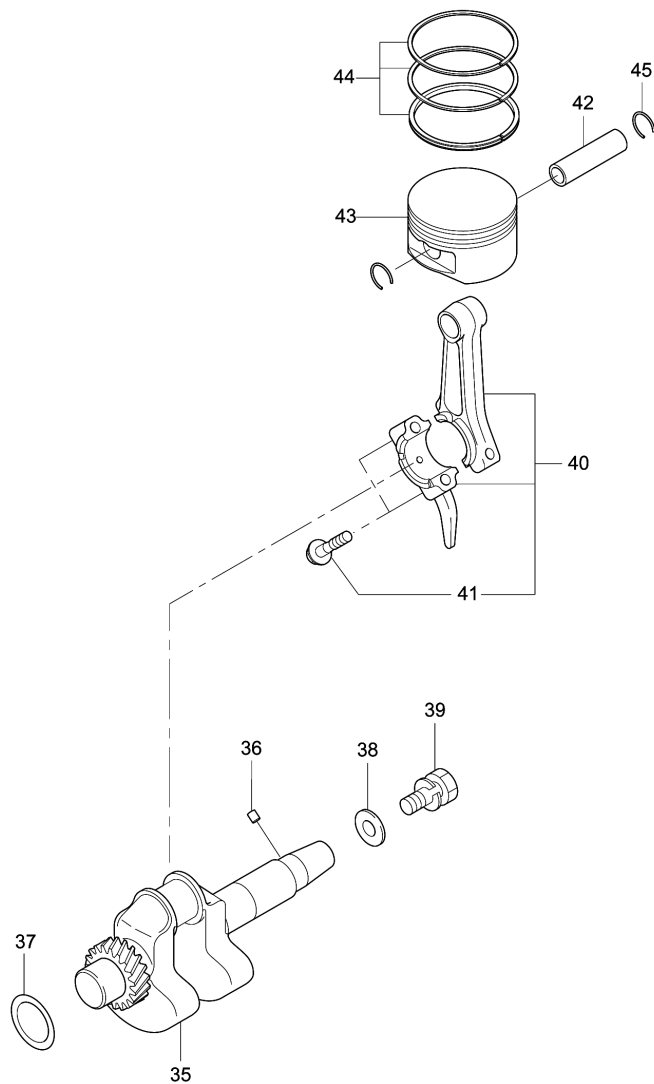


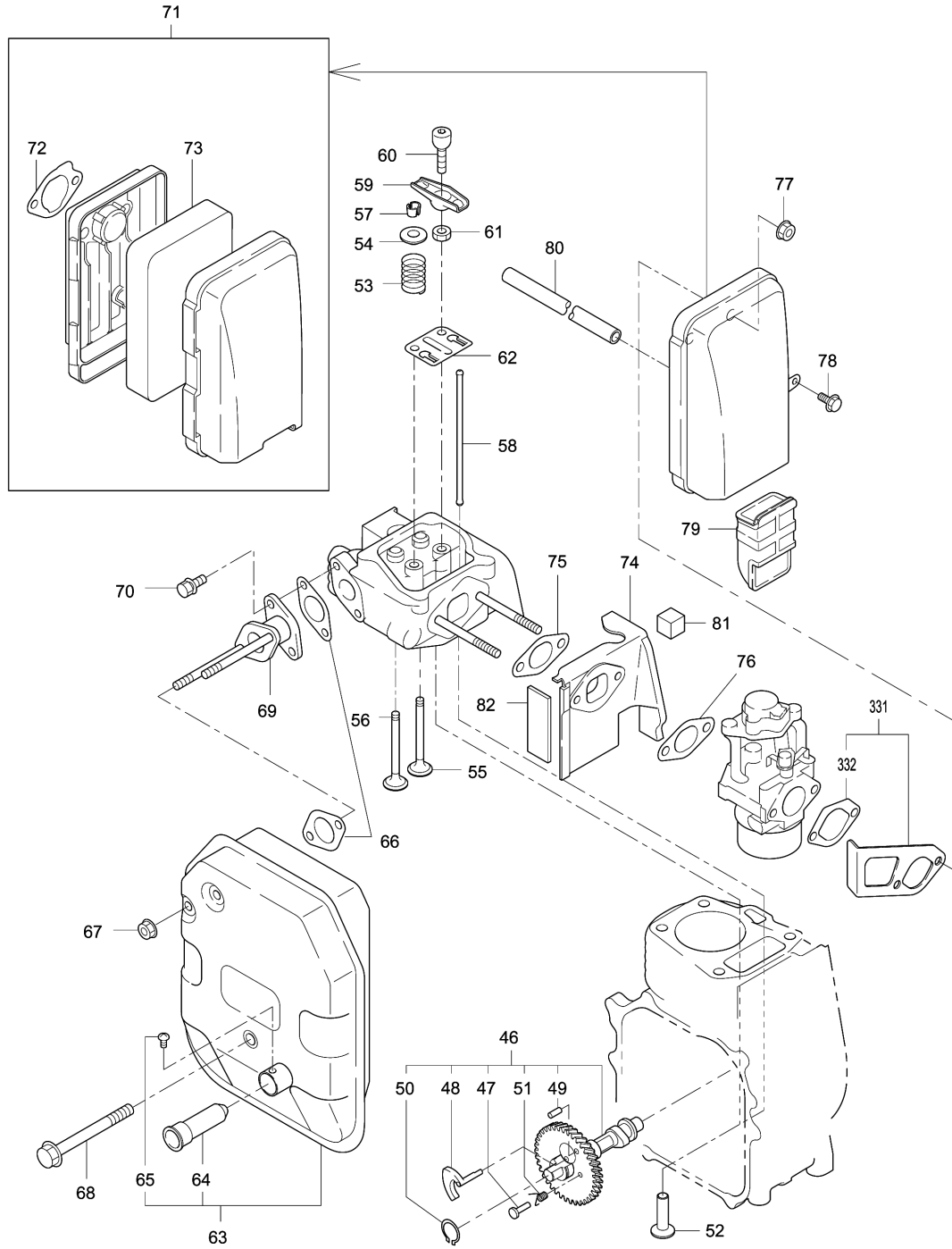
Model No.G1100 GENERATOR



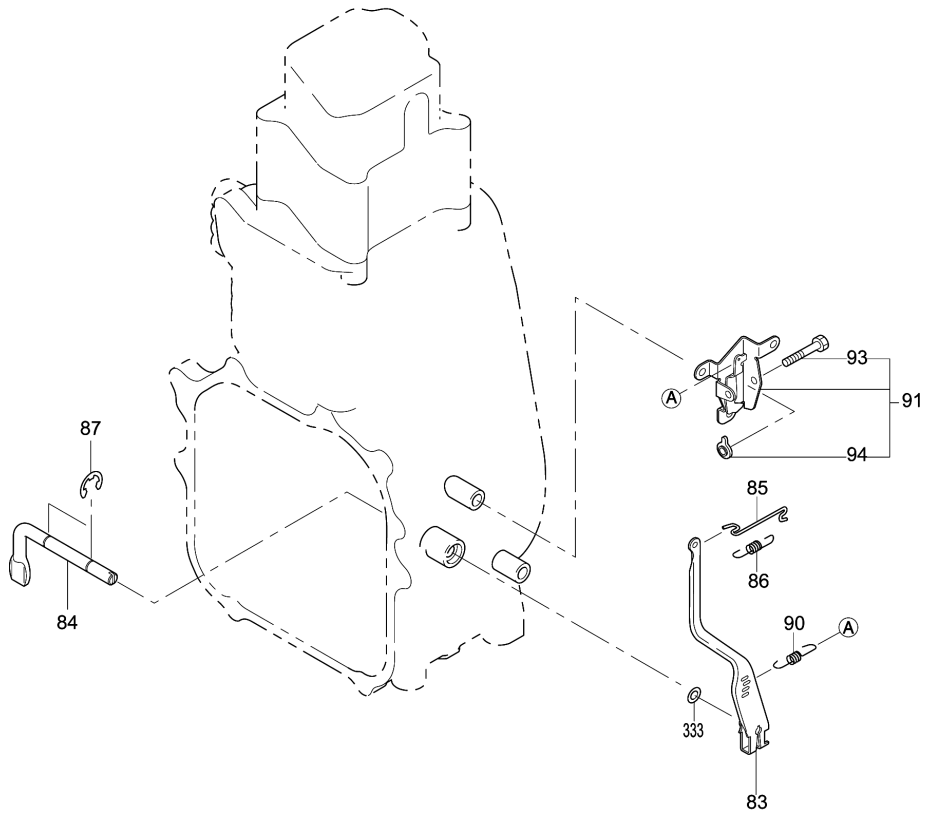
Model No.G1100 GENERATOR



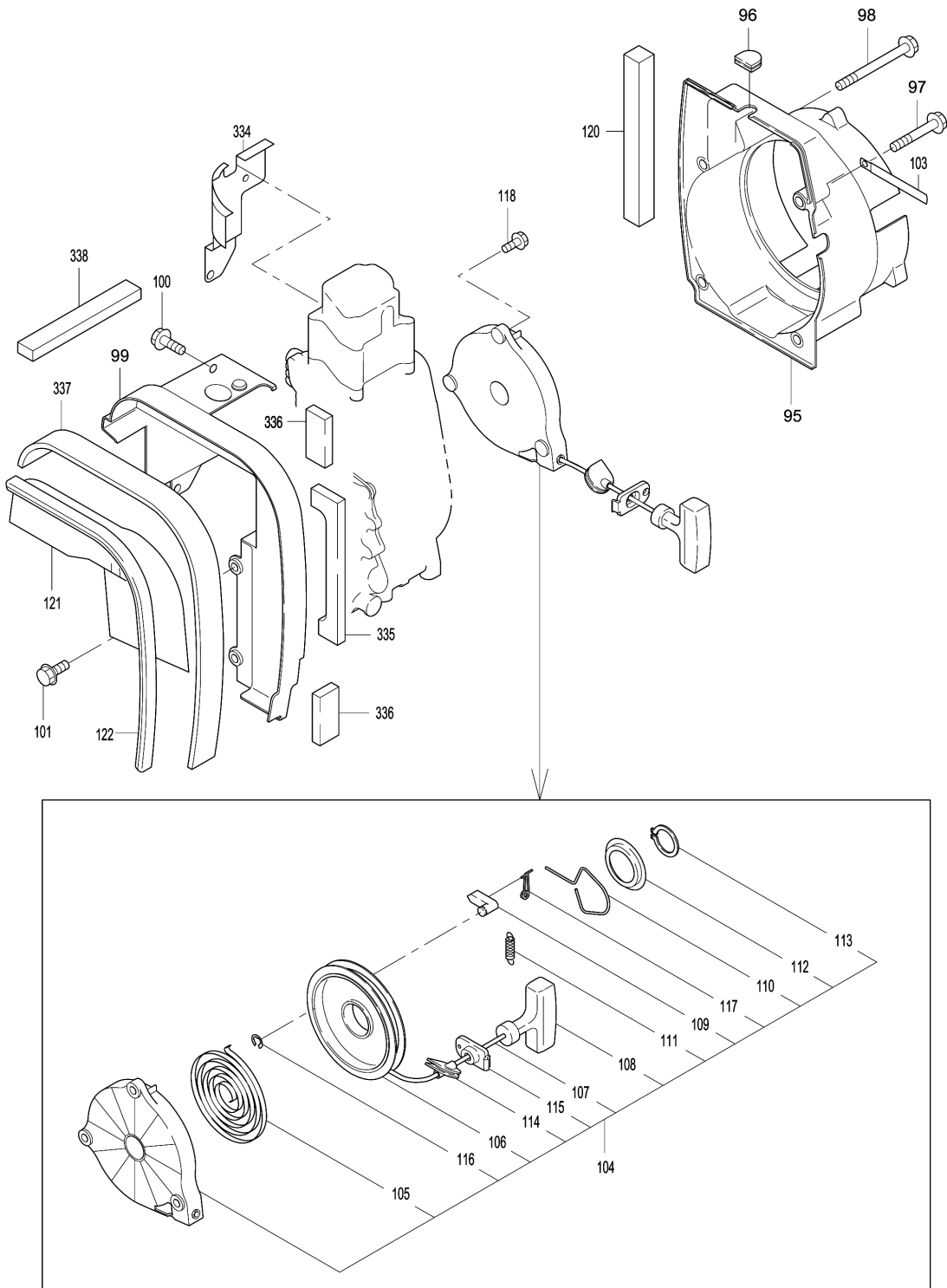
Model No.G1100 GENERATOR



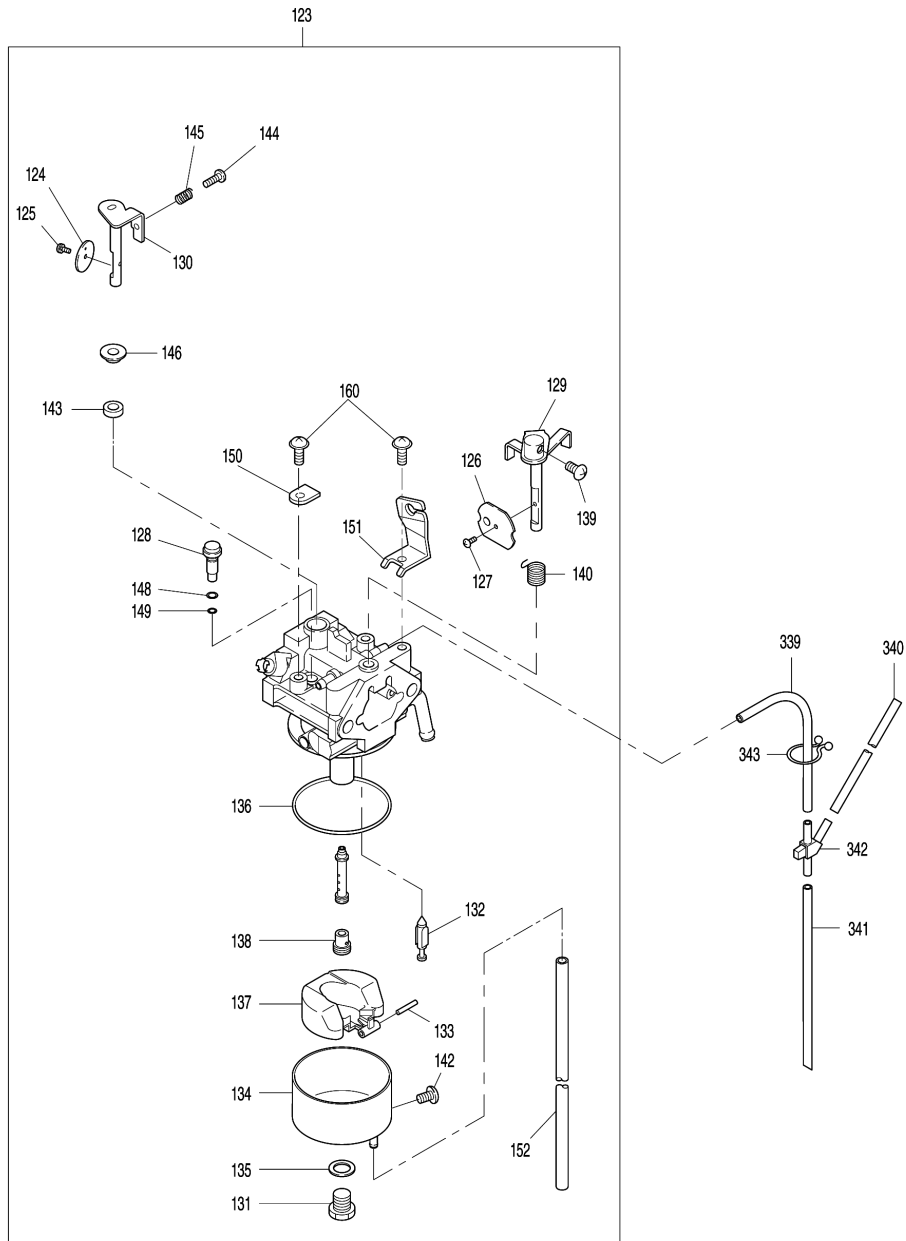
Model No.G1100 GENERATOR



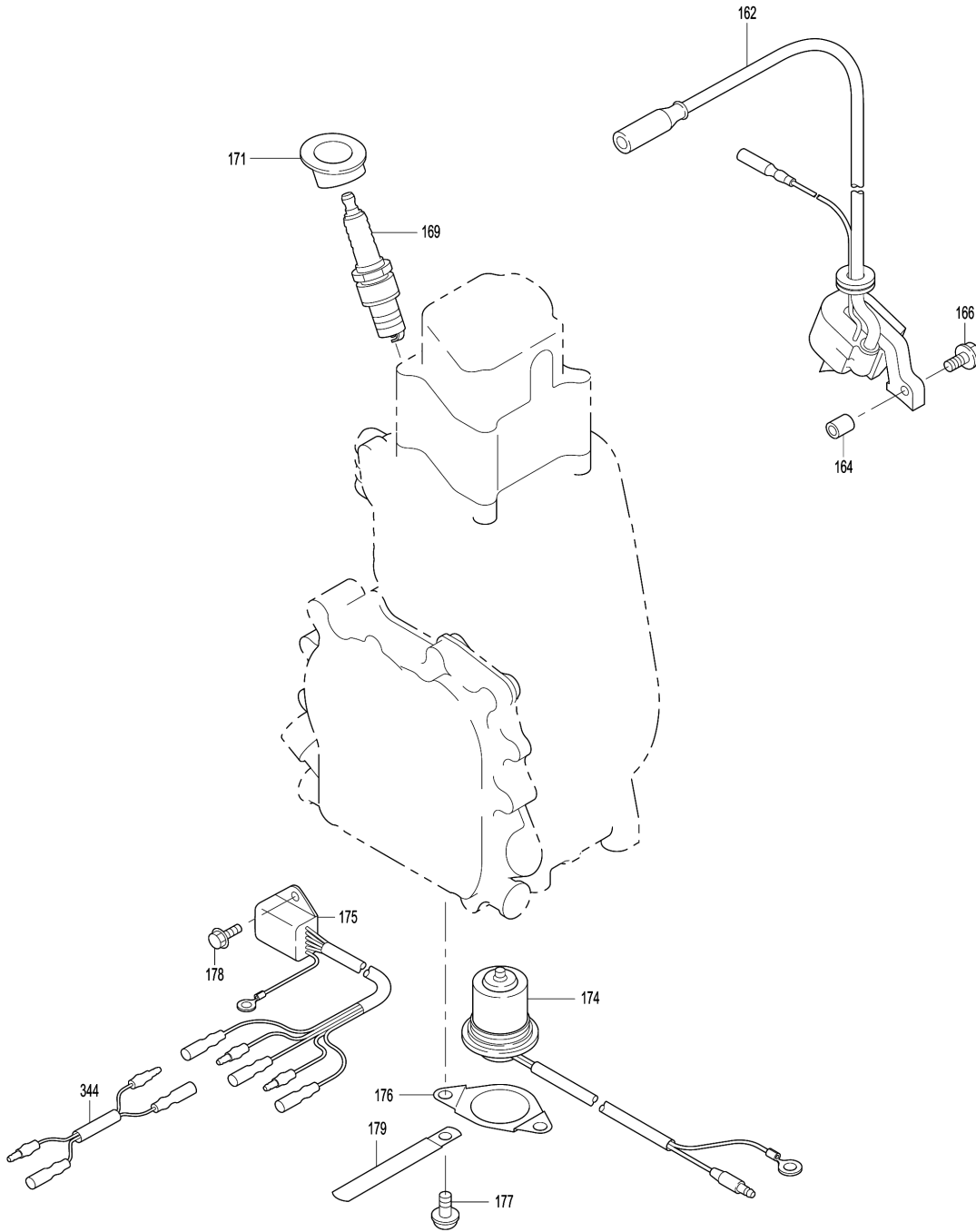
Model No.G1100 GENERATOR



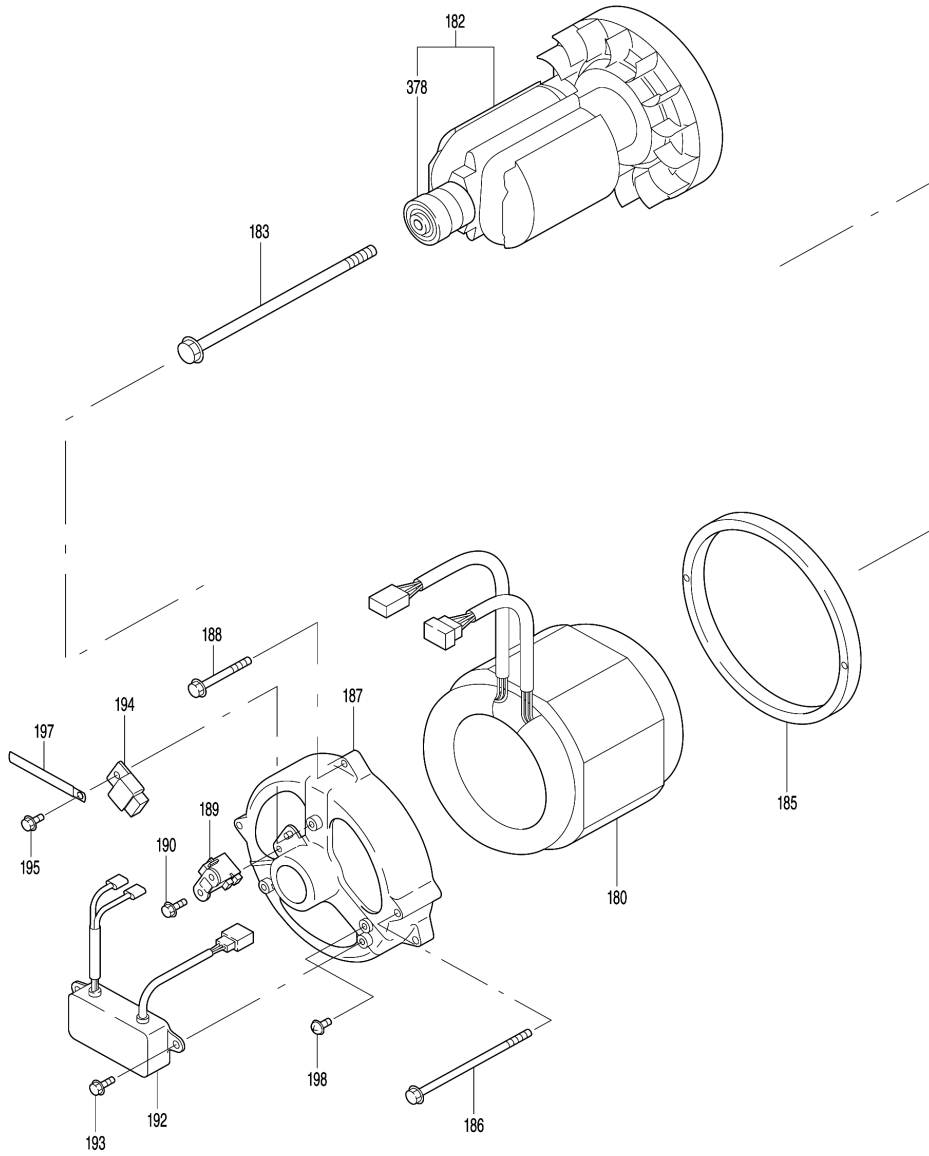
Model No.G1100 GENERATOR



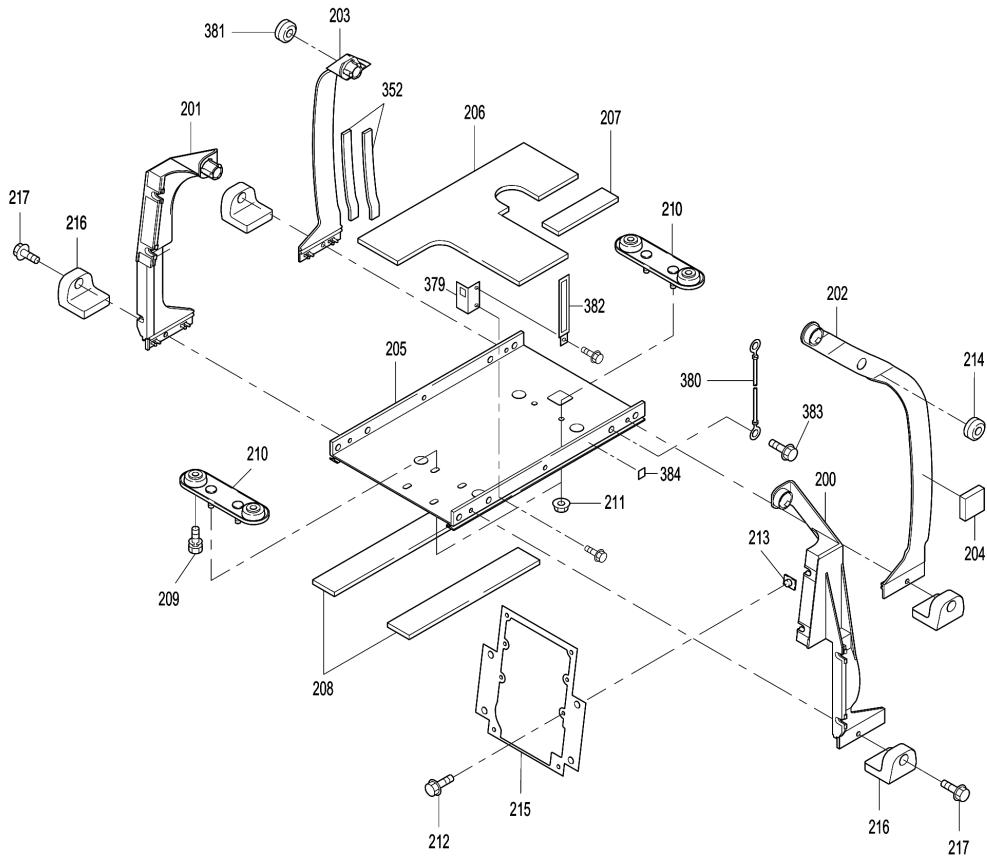
Model No.G1100 GENERATOR



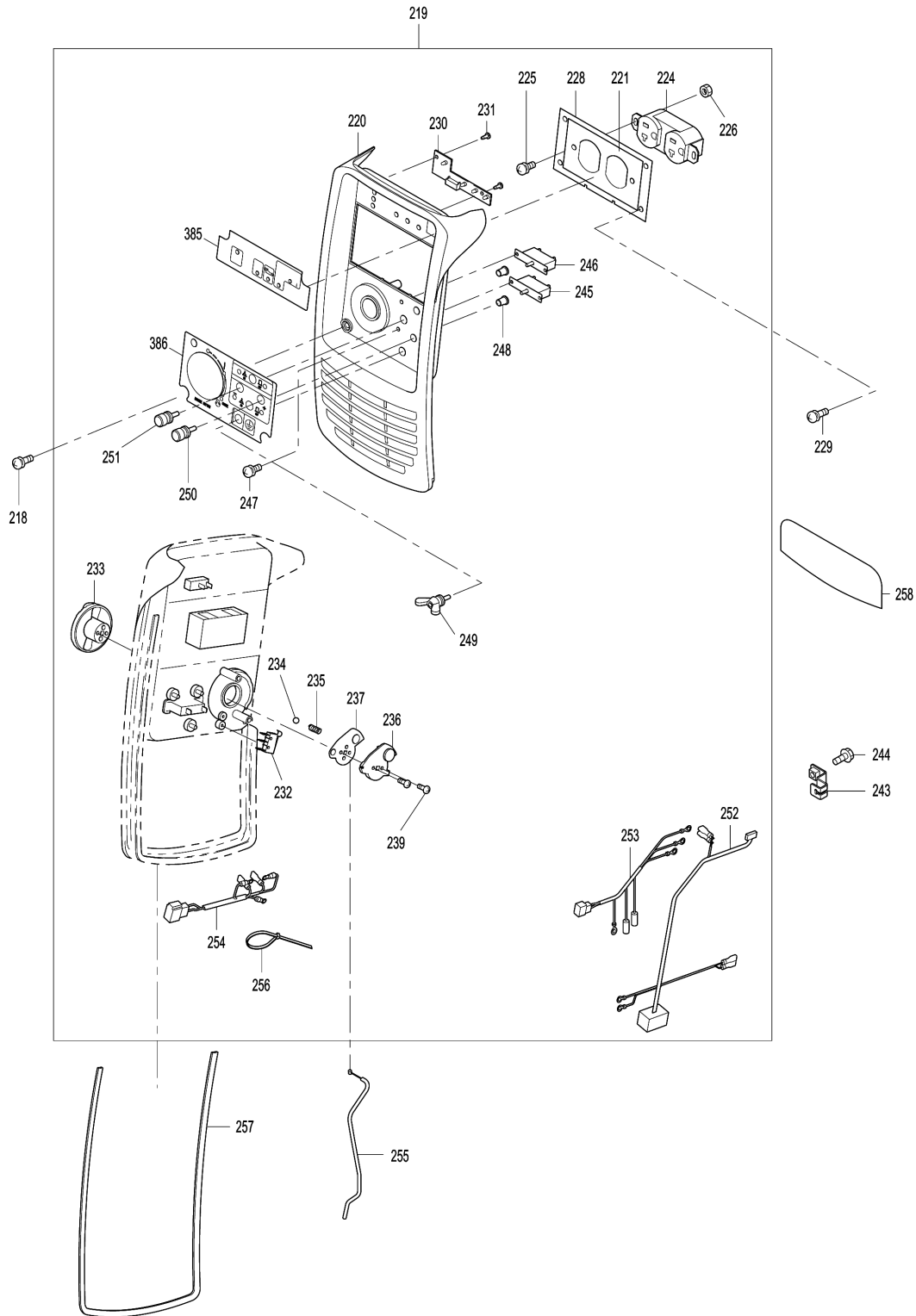
Model No.G1100 GENERATOR



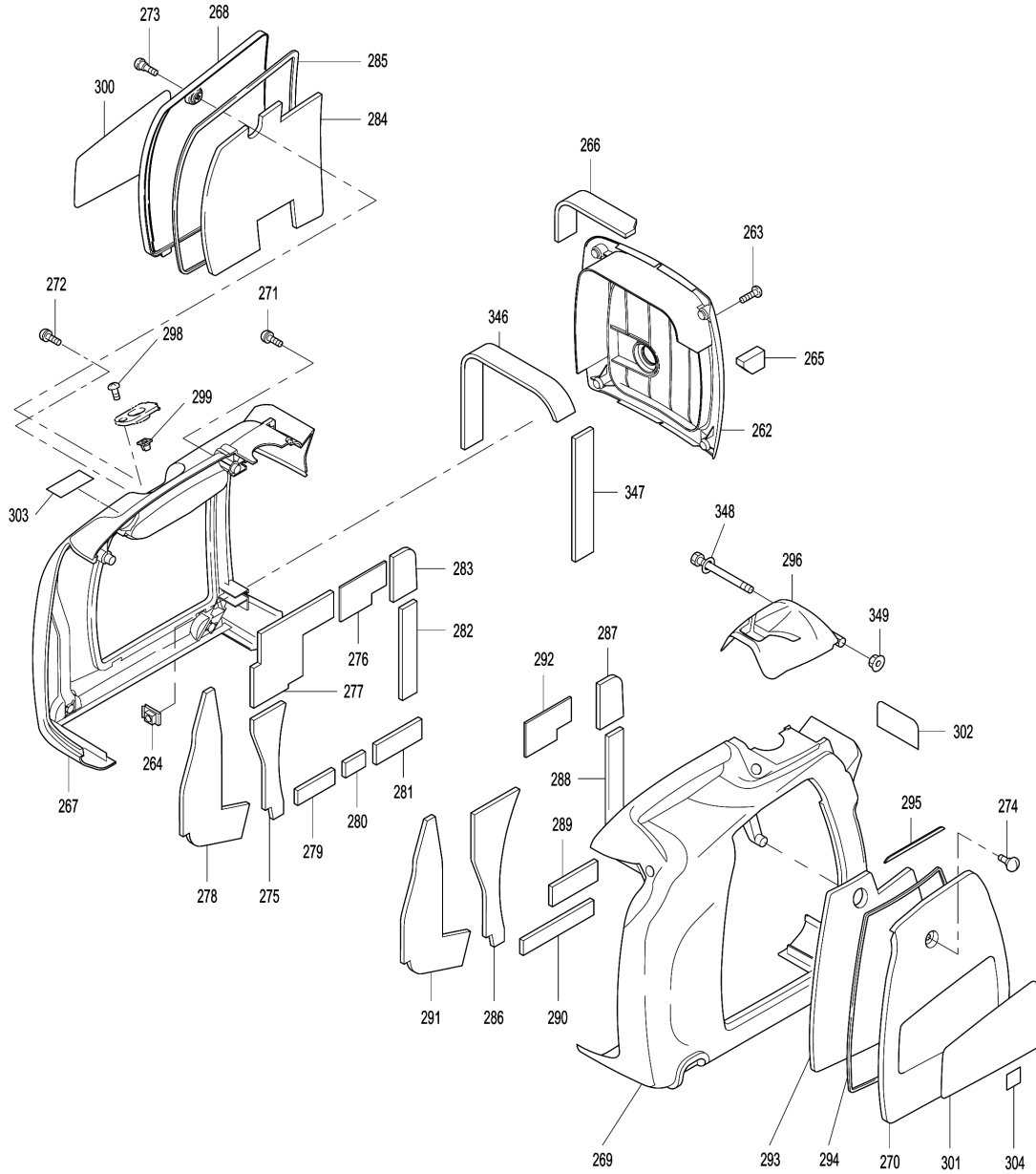
Model No.G1100 GENERATOR



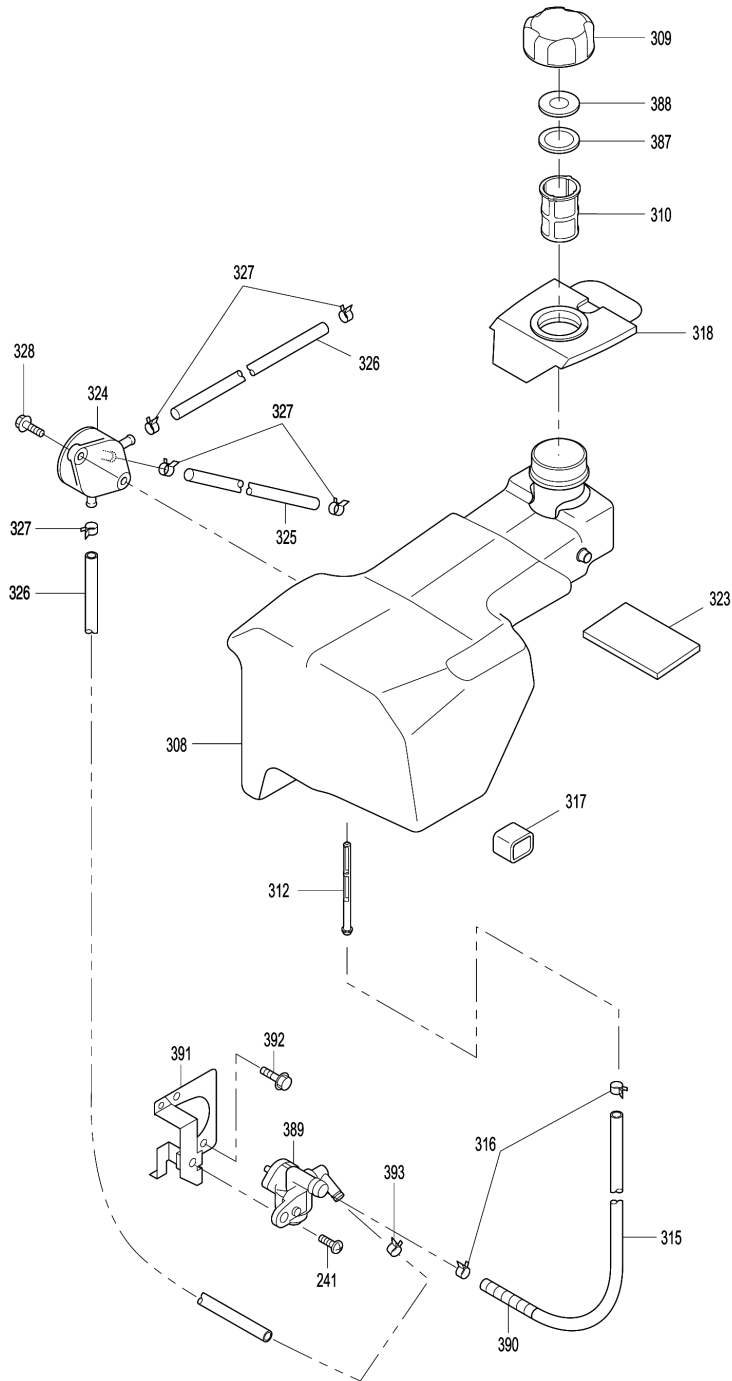
Model No.G1100 GENERATOR



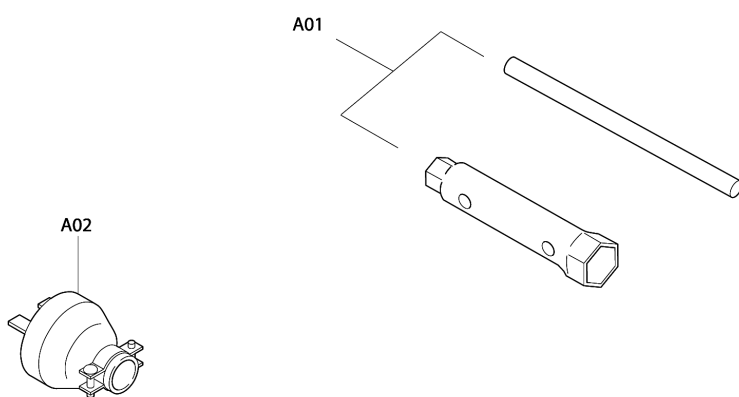
Model No.G1100 GENERATOR



Model No.G1100 GENERATOR



Model No.G1100 GENERATOR



Model No.G1100 GENERATOR

Item	Parts No.	Description	I/C	Qty	New/Old	Opt. 1	Opt. 2	Note
001	2841010301	CRANKCASE COMPLETE		1	*			
D10		INC. 4-6,8			*			
001-1	20F1010331	CRANK CASE(GPL.)	O	1	*			
D10		INC. 4-6,8,376			*			
001-2	20F1010821	CRANK CASE COMPLETE	O	1	*			
D10		INC. 4-6,8,376			*			
001-3	20F1010801	CRANK CASE(GPL.)	O	1				
D10		INC. 4-6,8,376						
002	2371420203	VALVE GUIDE (OVERSIZE)		2				
003	2771601001	STEM SEAL		1				
004	0440200070	OIL SEAL 20X32X6		1				
005	0600200140	BALL BEARING		1				
006	0310060020	DOWEL PIN		2				
007	0105060420	STUD		2				
008	0440060020	OIL SEAL 6DX10DX2.5B		1				
009	0401140030	PLUG		1				
010	0211140020	GASKET		1				
011	2841120101	MAIN BEARING COVER COMPLETE		1	*			
D10		INC. 12,13			*			
011-1	2841120111	MAIN BEARING COVER COMPLETE	X	1	*			
D10		INC. 12,13			*			
011-2	20F1120131	MAIN BEARING COVER COMPLETE	<	1	*			
D10		INC. 12,13			*			
011-3	20F1120141	MAIN BEARING HOUSING COVER CP	O	1				
012	2301710203	PLUG(RUBBER)		1				
013	0600200140	BALL BEARING		1				
014	2844500301	GOVERNOR GEAR COMPLETE		1				
015	2054190103	GOVERNOR SLEEVE		1				
016	2306360101	OIL GAUGE COMPLETE		1	*			
D10		INC. 17			*			
016-1	2306360111	OIL GAUGE COMPLETE	<	1	*			
D10		INC. 17			*			
016-2	20F6360111	OIL GAUGE COMPLETE	O	1				
D10		INC. 17						
017	0213160020	GASKET 16DX23X1.2T		1	*			
017-1	X213160020	GASKET 16DX23X1.2T	O	1	*			
017-2	2776360108	GASKET	<	1	*			
017-3	0213160020	GASKET 16DX23X1.2T	O	1				
018	2841600303	GASKET(BEARING COVER)		1				
019	0110060101	FLANGE BOLT		8				
020	2841300301	CYLINDER HEAD COMPLETE		1	*			
D10		INC. 2,3,7			*			
020-1	2841300311	CYLINDER HEAD COMPLETE	S	1	*			
D10		INC. 2,3,7			*			

Please order the parts with part number.

Print Date 16/11/2023

Model No.G1100 GENERATOR

Item	Parts No.	Description	I/C	Qty	New/Old	Opt. 1	Opt. 2	Note
020-2	20F1300311	CYLINDER HEAD COMPLETE	O	1	*			
D10		INC. 2,3,7			*			
020-3	20F1300321	CYLINDER HEAD COMPLETE	<	1				
D10		INC. 2,3,7						
021	2841500103	GASKET(HEAD)		1	*			
021-1	2841500113	GASKET(HEAD)	X	1				
022	0110080210	FLANGE BOLT		3	*			
022-1	0110080210	FLANGE BOLT	X	2				
023	0110080301	FLANGE BOLT		1				
024	2841550103	ROCKER COVER		1	*			
024-1	20F1550103	ROCKER COVER	O	1				
025	2841600403	GASKET(ROCKER COVER)		1	*			
025-1	2841600703	GASKET(ROCKER COVER)	<	1				
026	2771501103	PIPE KNOCK 10.3DX8.5DX14L		2				
027	0110060420	FLANGE BOLT		4				
028	2841430101	BREATHER COVER COMPLETE		1				
029	2841440101	BREATHER PLATE COMPLETE		1				
030	2301600613	GASKET(TAPPET COVER)		1	*			
030-1	2841600803	GASKET(TAPPET COVER)	<	1				
031	2301600703	GASKET		1				
032	0110060020	FLANGE BOLT M6X1.0X14DX12L		2				
033	33K5831703	SPONGE CRANK		1				
034	2849900207	GASKET SET		1	*			
D10		INC. 10,17,18,21,25,30,31,66,			*			
D20		INC. 75,76			*			
034-1	2849900217	GASKET SET	O	1	*			
D10		INC. 10,17,18,21,25,30,31,66,			*			
D20		INC. 75,76,332			*			
034-2	2849900227	GASKET SET	<	1				
D10		INC. 10,17,18,21,25,30,31,66,						
D20		INC. 75,76,332						
035	2842050101	CRANKSHFT COMPLETE		1	*			
035-1	2842050111	CRANKSHAFT CP	O	1	*			
035-2	20F2050111	CRANK SHAFT COMPLETE	<	1				
036	0310040010	DOWEL PIN		1				
037	0230200100	SPACER T=0.8		1				
037A_	0230200110	SPACER T=1.0		1				
037B_	0230200120	SPACER T=1.2		1				
038	0200080030	WASHER		1				
039	0011108250	BOLT AND WASHER ASS'Y		1	*			
039-1	0011408250	BOLT AND WASHER ASS'Y M8X25	O	1				
040	2842250120	CONNECTING ROD ASS'Y		1	*			
D10		INC. 41			*			
040-1	2842250130	CONNECTING ROD ASSY	<	1	*			

Please order the parts with part number.

Print Date 16/11/2023

Model No.G1100 GENERATOR

Item	Parts No.	Description	I/C	Qty	New/Old	Opt. 1	Opt. 2	Note
D10		INC. 41			*			
040-2	20F2250130	CONNECTING ROD ASSY	<	1				
D10		INC. 41						
041	2842300103	CONNECTING ROD BOLT		2	*			
041-1	20F2300103	CONNECTING ROD BOLT	O	2				
042	2302330103	PISTON PIN		1	*			
042-1	20F2330103	PISTON PIN 8DX11D	<	1				
043	2742340103	PISTON		1	*			
043-1	28423401H3	PISTON	O	1	*			
043-2	20F23401H3	PISTON	O	1				
043A_	2742340203	PISTON 0.25 OVER SIZE		1	*			
043A1	28423402H3	PISTON 0.25 OVER SIZE	O	1	*			
043A2	20F23402H3	PISTON 0.25 OVER SIZE	O	1				
043B_	2742340303	PISTON 0.50 OVER SIZE		1	*			
043B1	28423403H3	PISTON 0.5 OVER SIZE	O	1	*			
043B2	20F23403H3	PISTON 0.5 OVER SIZE	O	1				
044	2842350107	PISTON RING SET STANDARD		1	*			
044-1	2742350107	PISTON RING SET STANDARD	X	1				
044A_	2742350207	PISTON RING SET 0.25 OVER SIZE		1				
044B_	2742350307	PISTON RING SET 0.50 OVER SIZE		1				
045	0565110010	CLIP		2				
046	2843170111	CAMSHAFT COMPLETE		1				
D10		INC. 47-51						
047	2273860123	PIN 3.8DX7.5DX14L		1				
048	2843640103	RELEASE LEVER		1				
049	0051904100	SPRING PIN		1				
050	0031517000	OUTER SNAP RING		1	*			
050-1	961057-5	RETAINING RING S-17	O	1				
051	2743870123	RETURN SPRING		1				
052	2743330103	TAPPET		2				
053	2743360103	VALVE SPRING		2				
054	2743370203	SPRING RETAINER		2				
055	2743340103	INTAKE VALVE		1	*			
055-1	28433401H3	INTAKE VALVE	S	1	*			
055-2	20F3340103	INTAKE VALVE	O	1				
056	2743350103	EXHAUST VALVE		1	*			
056-1	28433501H3	EXHAUST VALVE	S	1	*			
056-2	20F3350203	EXHAUST VALVE	O	1				
057	13210KA031	COLLET VALVE		4				
058	2743530103	PUSH ROD		2	*			
058-1	20F3530103	PUSH ROD	O	2				
059	2743600303	ROCKER ARM		2	*			
059-1	20F3600113	ROCKER ARM	O	2				
060	2693580103	BOLT (PIVOT)		2				

Please order the parts with part number.

Print Date 16/11/2023

Model No.G1100 GENERATOR

Item	Parts No.	Description	I/C	Qty	New/Old	Opt. 1	Opt. 2	Note
061	0170060090	601106X0.75X5.1H		2				
062	2743650103	GUIDE PLATE		1				
063	2843020100	MUFFLER ASS'Y		1	*			
D10		INC. 64,65			*			
063-1	2843020110	MUFFLER ASS'Y	X	1	*			
D10		INC. 64,65			*			
063-2	2843020120	MUFFLER ASSY	O	1				
D10		INC. 64,65						
064	2693760101	SPARK ARRESTER COMPLETE		1				
065	0150040060	TAPPING SCREW M4X6L		1				
066	2303520401	GASKET COMPLETE(EXHAUST)		2				
067	0023806000	FLANGE NUT M6		2	*			
067-1	0180060030	FLANGE NUT M6	X	2				
068	0110080110	FLANGE BOLT M8X1.25X80L		1				
069	2843410103	EXHAUST PIPE		1	*			
069-1	2843410113	EXHAUST PIPE	O	1				
070	0119060020	BOLT(SOCKET HEAD)		2	*			
070-1	0011406160	BOLT & WASHER ASS'Y	X	2				
071	2843263000	AIR CLEANER ASS'Y		1				
D10		INC. 72,73						
072	2273600413	GASKET		1				
073	2843263108	ELEMENT		1				
074	2843290303	INSULATOR		1				
075	2823590103	GASKET		1	*			
075-1	2273590203	GASKET 2, INSULATOR	X	1				
076	2363590303	GASKET 2 (INSULATOR)		1	*			
076-1	1573500103	GASKET(INSULATOR)	X	1				
077	0023806000	FLANGE NUT M6		2				
078	0110060180	FLANGE BOLT M6X1.0X14DX18L		1				
079	2843210103	DUCT		1				
080	0851080000	RUBBER PIPE (8DX11D)		1				
081	33K5831503	SPONGE INS		1	*			
081-1	33K5831513	SPONGE INS	X	1				
082	33K5832103	SPONGE INS 2		1	*			
082-1	33K5832113	SPONGE INS 2	X	1				
083	2844230201	GOVERNOR LEVER		1	*			
083-1	2844230221	GOVERNOR LEVER	X	1				
084	2304220103	GOVERNOR SHAFT		1				
085	2344270311	GOVERNOR ROD		1	*			
085-1	1054270111	GOVERNOR ROD	X	1				
086	2274280103	ROD SPRING		1	*			
086-1	2844280303	ROD SPRING	X	1				
087	0031305000	CLIP		2				
088	0011406250	BOLT & WASHER ASS'Y		1				

Please order the parts with part number.

Print Date 16/11/2023

Model No.G1100 GENERATOR

Item	Parts No.	Description	I/C	Qty	New/Old	Opt. 1	Opt. 2	Note
089	0186060020	NUT M6X1.0X4.9H		1				
090	2844250303	GOVERNOR SPRING		1	*			
090-1	2844250113	GOVERNOR SPRING	X	1				
091	2844620000	CONTROL BRACKET		1				
D10		INC. 92-94						
092	0110060010	FLANGE BOLT M6X1.0X14DX8L		2				
093	0010606350	BOLT		1	*			
093-1	0016506350	BOLT	X	1				
094	2304900201	ADJUSTING NUT		1				
095	2845120103	BLOWER HOUSING		1				
096	2845550103	GROMMET		1				
097	0110080160	FLANGE BOLT		1				
098	0110080302	FLANGE BOLT		3				
099	2845360101	CYLINDER BAFFLE COMPLETE		1				
100	0010308160	FLANGE BOLT		3	*			
100-1	0010306120	FLANGE BOLT	X	1	*			
100-2	0110060440	FLANGE BOLT	O	1				
101	0010306120	FLANGE BOLT		1	*			
101-1	0110080150	FLANGE BOLT M8X12L	X	3				
103	0566000260	CLAMP		1				
104	2845022100	RECOIL STATER ASS'Y		1	*			
D10		INC. 105-117			*			
104-1	2845022110	RECOIL ASSY	O	1	*			
D10		INC. 105-117			*			
104-2	2845022120	RECOIL ASSY	<	1				
D10		INC. 105-117						
105	2845022408	SPIRAL SPRING		1				
106	2845022208	REEL		1				
107	2845023308	ROPE		1				
108	5305002110	STARTER KNOB		1	*			
108-1	20F5010018	STARTER KNOB COMPLETE	<	1	*			
108-2	2615010018	STARTER KNOB	O	1				
109	2845022308	RACHET		1				
110	2845022608	FRICTION SPRING		1				
111	2845022708	RETURN SPRING		1				
112	2845022508	FRICTION PLATE		1	*			
112-1	2845022518	FRICTION PLATE	O	1				
113	2845023108	RETAINING RING C TYP		1				
114	2845610103	ROPE GUIDE		1				
115	33K5300103	GUIDE COMPLETE		1				
116	2845022908	RETAINING RING E TYP		1				
117	2845022808	RACHET GUIDE		1				
118	0110060140	FLANGE BOLT M6X18L		3				
119	34K4010203	SEAL PLATE 45X120X2		2				
120	33K5831203	SPONGE BAFFLE		1	*			

Please order the parts with part number.

Print Date 16/11/2023

Model No.G1100 GENERATOR

Item	Parts No.	Description	I/C	Qty	New/Old	Opt. 1	Opt. 2	Note
120-1	2845120303	SEAL SPONGE B/H	X	1				
121	33K5831303	SPONGE BAFFLE 2		1	*			
121-1	2845360613	INSULATION SEAT B1	X	1	*			
121-2	2845360623	INSULATION SEAT B1	O	1				
122	2845360503	SEAL RUBBER		1				
123	2846230100	CARBURETOR ASS'Y		1	*			
D10		INC. 124-160			*			
123-1	2846230130	CARBURETOR ASS'Y	<	1	*			
D10		INC. 124,125,127-140,142-146,			*			
D20		INC. 148,149,151,152,160,352			*			
123-2	2846234110	CARBURETOR ASS'Y	<	1	*			
D10		INC. 124,125,127-140,142-146,			*			
D20		INC. 149,151,152,160,352			*			
D30		INC. 394-401			*			
123-3	2846234120	CARBURETOR ASS'Y	<	1				
D10		INC. 124,125,127-140,142-146,						
D20		INC. 149,151,152,160,352						
D30		INC. 394-401						
124	2846253508	THROTTLE VALVE		1	*			
124-1	2746253508	THROTTLE VALVE	X	1				
125	2846245508	SCREW		1	*			
125-1	2796235608	SCREW	X	1				
126	2846252508	CHOKE VALVE		1	*			
127	2846245508	SCREW		1	*			
127-1	2776258008	SCREW	X	2				
128	2846242008	SLOW JET		1	*			
128-1	2846242108	PILOT JET	X	1				
129	2846252008	CHOKE LEVER		1	*			
129-1	2846255308	CHOKE SHAFT	X	1				
130	2846253008	THROTTLE SHAFT		1	*			
130-1	2846253018	THROTTLE SHAFT	X	1	*			
130-2	2846253608	THROTTLE SHAFT	X	1				
131	2846235508	BOLT		1	*			
131-1	2376245008	BOLT	X	1				
132	2796250008	VALVE ASSEMBLY,NEEDLE		1	*			
132-1	1616235208	NEEDLE VALVE	X	1				
133	2846251508	PIN		1	*			
133-1	2366251008	FLOAT PIN	X	1				
134	2846255008	FLOAT BODY		1	*			
134-1	2936250608	FLOAT BODY	X	1				
135	2516235008	GASKET		1	*			
135-1	2366245008	PACKING	X	1				
136	2846254008	CHAMBER PACKING		1	*			
136-1	2366254008	PACKING (CHAMBER)	X	1				

Please order the parts with part number.

Print Date 16/11/2023

Model No.G1100 GENERATOR

Item	Parts No.	Description	I/C	Qty	New/Old	Opt. 1	Opt. 2	Note
137	2846250508	FLOAT ASSY		1	*			
137-1	2366250508	FLOAT	X	1				
138	2846240008	MAIN JET		1	*			
138-1	2746240208	MAIN JET #65	X	1				
139	2846245608	SCREW		1	*			
139-1	2426232308	SCREW	X	1				
140	2846244508	SPRING(CHOKE)		1	*			
140-1	2346245208	SPRING(CHOKE)	X	1				
141	2846256508	VINYL PIPE		1	*			
142	2516266108	SCREW(DRAIN)		1	*			
142-1	2246245008	SCREW	X	1				
143	2516255908	BUSH		1	*			
143-1	1066237108	SEAL	X	1				
144	2846235308	AJUST SCREW		1	*			
144-1	2466243508	ADJUST SCREW	X	1				
145	2796244508	SPRING		1	*			
145-1	2306244608	SPRING	X	1				
146	2846256008	COLLAR		1	*			
146-1	2846235108	RING	X	1				
147	2846231508	SPRING(THROTTLE)		1	*			
148	2846245108	O RING		1	*			
149	2846245008	O RING		1	*			
149-1	1066238408	O-RING	X	1				
150	2846257108	STOPPER PLATE		1	*			
151	2846257008	BRACKET(WIRE)		1	*			
151-1	2846257018	BRACKET WIRE	X	1	*			
151-2	2846253808	BRACKET	X	1				
152	2846256608	VINYL PIPE		1	*			
152-1	2846256708	VINYL PIPE	X	1	*			
152-2	2846254108	HOSE	X	1				
153	2846258008	MOTOR		1	*			
154	2846257608	BRACKET(MOTOR)		1	*			
155	2846245808	SCREW		2	*			
156	2846245708	SCREW		2	*			
157	2846255508	JOINT LEVER		1	*			
158	2846244608	SPRING		1	*			
159	2846257508	BRACKET		1	*			
160	2846245608	SCREW		2	*			
160-1	2846235608	SCREW	X	1				
162	2847945101	IGNITION COIL COMPLETE		1	*			
162-1	2847943021	IGNITION COIL COMPLETE	X	1	*			
162-2	2847943031	IGNITION COIL COMPLETE	<	1				
164	0230060360	SPACER		2				
165	2847956103	IGNITION COIL BRACKET		1				
166	0011406450	BOLT AND WASHER ASSY		2				

Please order the parts with part number.

Print Date 16/11/2023

Model No.G1100 GENERATOR

Item	Parts No.	Description	I/C	Qty	New/Old	Opt. 1	Opt. 2	Note
167	0023808000	FLANGE NUT		1				
169	0650140380	SPARK PLUG NGK BMR4A		1				
170	0655000051	SPARK PLUG CAP		1	*			
171	2847550103	GROMMET, PLUG		1				
173	34K2110103	ENGINE HARNESS		1	*			
173-1	34K2110123	ENGINE HARNESS	<	1				
174	2307630111	OIL SENSOR		1				
175	KU31104401	FLOAT C/U COMPLETE		1	*			
175-1	KU31104101	FLOAT C/U COMPLETE	X	1				
176	2307580103	SENSOR RETAINER		1				
177	0043506100	SCREW & WASHER ASS'Y		2				
178	0110060020	FLANGE BOLT M6X1.0X14DX12L		1				
179	2267510103	CLAMP		1				
180	33K2175108	STATOR COMPLETE 230V		1				
182	33K2090208	ROTOR COMPLETE		1				
183	33K2090608	BOLT		1				
185	33K2090703	RING		1				
186	33K2090508	FLANGE BOLT		2				
187	33K2090308	REAR COVER		1				
188	33K2090408	FLANGE BOLT		3				
189	32B2310101	BRUSH COMPLETE		1				
190	32B2105108	SCREW		1				
192	32B2300100	AVR ASS'Y		1				
193	32B2105108	SCREW		2				
194	32B2312101	DIODE STACK		1				
195	32B2105208	SCREW		4				
197	32D2106008	CLAMP		3				
198	32B2105308	SCREW		1				
200	33K3710103	FRONT FRAME(R)		1				
201	33K3720103	FRONT FRAME(L)		1				
202	33K3730103	REAR FRAME(R)		1				
203	33K3740103	REAR FRAME(L)		1				
204	33K5841303	SPONGE REAR FRAME 35X35X10		1				
205	33K3060103	BASE		1	*			
205-1	33K3060113	BASE	X	1				
206	33K5831003	SPONGE BASE		1				
207	33K5831103	SPONGE BASE 2 30X110X20		1				
208	33K5832003	SPONGE BASE 3 40X240X1.5		2				
209	0011408200	BOLT & WASHER ASS'Y		4				
210	33K3010101	MOUNT BASE COMPLETE		2				
211	0023806000	FLANGE NUT M6		4				
212	0110060020	FLANGE BOLT M6X1.0X14DX12L		4				
213	33K3800103	NUT		8				
214	33K3800503	GROMMET(REAR FRAME)		2				

Please order the parts with part number.

Print Date 16/11/2023

Model No.G1100 GENERATOR

Item	Parts No.	Description	I/C	Qty	New/Old	Opt. 1	Opt. 2	Note
215	33K3760103	BACK PANEL COMPLETE		1				
216	33K3610101	MOUNT COMPLETE		4				
217	0110060180	FLANGE BOLT M6X1.0X14DX18L		4				
218	0140050100	SCREW		4				
219	33K4807100	CONTROL PANEL ASS'Y 50HZ230V		1	*			
D10		INC. 220-228,230-242,245- 254			*			
D20		INC. 256,260,261			*			
219-1	33K4807140	CONTROL PANEL ASS'Y 50HZ230V	X	1	*			
D10		INC. 220-228,230-242,245- 254			*			
D20		INC. 256,260,261			*			
219-2	33K4807150	CONTROL PANEL ASS'Y 50HZ230V	<	1	*			
D10		INC. 220-228,230-242,245- 254			*			
D20		INC. 256,260,261			*			
219-3	33K4807160	CONTROL PANEL ASS'Y 50HZ230V	O	1	*			
D10		INC. 220-228,230-242,245- 254			*			
D20		INC. 256,260,261			*			
219-4	33K4807170	CONTROL PANEL ASS'Y 50HZ230V	O	1	*			
D10		INC. 220-228,230-242,245- 254			*			
D20		INC. 256,260,261			*			
219-5	33K4807180	CONTROL PANEL ASS'Y 50HZ230V	<	1				
D10		INC. 220-228,230-242,245- 254						
D20		INC. 256,260,261						
220	33K4010103	FRONT PANEL		1	*			
220-1	33K4010113	FRONT PANEL	<	1				
221	33K4890203	FILM		1				
222	34K4181203	ROCKER SWITCH		1	*			
222-1	33B4000708	ROCKER SWITCH	O	1				
223	33K4181003	SWITCH COVER		1				
224	3584062108	AC RECEPTACLE F/GERMAN TYPE		2				
225	0043603120	SCREW & WASHER ASS'Y		8				
226	0021703000	NUT(M5)		8				
228	33K4070303	CONSENT BRACKET		1	*			
228-1	33K4070923	CONSENT BRACKET	<	1				
229	0131040060	SCREW AND WASHER ASS'Y		4				
230	KD31101201	LED INDICATOR COMPLETE		1	*			
230-1	KD31101321	LED INDICATOR COMPLETE	X	1				
231	0150030020	TAPPING SCREW		2				
232	33K4181103	MICRO SWITCH		1	*			
232-1	33K4181203	MICRO SWITCH	O	1				
233	33K4201003	CONTROL DIAL		1				

Please order the parts with part number.

Print Date 16/11/2023

Model No.G1100 GENERATOR

Item	Parts No.	Description	I/C	Qty	New/Old	Opt. 1	Opt. 2	Note
234	33K4207103	BALL(DIAL)		1				
235	33K4207303	SPRING(DIAL)		1	*			
235-1	33K4207403	SPRING(DIAL)	O	1				
236	33K4202003	CHOKE REEL		1				
237	33K4203003	PLATE		1	*			
237-1	33K4203013	PLATE	X	1	*			
237-2	33K4203023	PLATE	O	1				
238	33K4204003	WIRE PLATE		1				
239	0150030010	TAPPING SCREW		2	*			
239-1	0150040070	TAPPING SCREW	X	2				
241	0150040090	TAPPING SCREW 4X12		2	*			
241-1	33K4181408	TAPPING SCREW M3X16L	X	2	*			
241-2	33B4000108	TAPPING SCREW	O	2				
242	33K4205001	ROLLING WIRE COMPLETE		1	*			
242-1	33K4205011	ROLLING WIRE COMPLETE	X	1				
243	33K4208003	CHOKE BRACKET		1				
244	0110060010	FLANGE BOLT M6X1.0X14DX8L		1				
245	3524562008	CIRCUIT BREAKER (DC) 10A		1				
246	33K4183203	CIRCUIT BREAKER		1				
247	0131030010	SCREW AND WASHER ASS'Y		4				
248	33K4181703	BREAKER CAP		2				
249	33K4209001	TERMINAL BOLT BLACK/RED		1	*			
249-1	33K4209001	TERMINAL BOLT BLACK/RED	X	1				
250	3634570108	TERMINAL BOLT (RED)		1				
251	3634570008	TERMINAL BOLT (BLACK)		1				
252	33K4182003	PANEL HARNESS		1	*			
252-1	33K4182601	PANEL HARNESS	X	1				
253	33K4181503	CONCENT HARNESS		1	*			
253-1	33K4181501	CONCENT HARNESS	X	1				
254	34K4181603	DC OUT HARNESS		1	*			
254-1	34K4181613	DC OUT HARNESS	O	1				
255	33K4206001	CHOKE WIRE COMPLETE		1	*			
255-1	33K4206021	CHOKE WIRE COMPLETE	O	1				
256	0563000020	WIRE BAND		4				
257	33K5841103	SEAL SPONGE F 4.5X650X2.5		1				
258	33K9305003	LABEL(FRONT)		1				
260	33K4023003	FILM INVERTER		1	*			
260-1	33K4027003	FILM AVR	X	1				
261	0732004490	LABEL(ELECTRIC SHOKE)		1				
262	33K5020103	REAR COVER		1	*			
262-1	33K5020110	REAR COVER COMPLETE	<	1				
D10		INC. 265,266,346,347						
263	0131060030	SCREW AND WASHER ASS'Y		4				
264	33K5020503	NUT		4	*			
264-1	33K5020501	NUT COMPLETE	X	4				

Please order the parts with part number.

Print Date 16/11/2023

Model No.G1100 GENERATOR

Item	Parts No.	Description	I/C	Qty	New/Old	Opt. 1	Opt. 2	Note
265	33K5831803	REAR COVER SPONGE 1		2	*			
265-1	33K5831813	REAR COVER SPONGE 1	X	2				
266	33K5831903	REAR COVER SPONGE 2		1	*			
266-1	33K5831913	REAR COVER SPONGE 2	X	1				
267	33K5130103	CASE BODY R		1	*			
267-1	33K5130113	CASE BODY L	X	1	*			
267-2	33K5130221	CASE BODY L COMPLETE	<	1				
D10		INC. 275-283						
268	33K5131103	SIDE PANEL L		1	*			
268-1	33K5131101	SIDE PANEL L	<	1				
D10		INC. 284,285						
269	33K5140103	CASE BODY L		1	*			
269-1	33K5140113	CASE BODY R	X	1	*			
269-2	33K5140221	CASE BODY R CPL.	<	1				
D10		INC. 286-292						
270	33K5141103	SIDE PANEL R		1	*			
270-1	33K5141101	SIDE PANEL R	<	1				
D10		INC. 293-295						
271	0043606250	SCREW AND WASHER ASS'Y		2				
272	0043606200	SCREW M6X20		1	*			
272-1	265584-7	HEX SOCKET HEAD BOLT M6X20 WR	O	1				
273	33K5050103	BOLT(PANEL)		1				
274	33K5050103	BOLT(PANEL)		1				
275	33K5830103	SPONGE CASE L		1				
276	33K5830703	SPONGE CASE L 5		1				
277	33K5830503	SPONGE CASE L 3		1	*			
277-1	33K5830513	SPONGE CASE L 3	O	1				
278	33K5830403	SPONGE CASE L 2		1	*			
278-1	33K5830403	SPONGE CASE L 2	O	1				
279	33K5830803	SPONGE CASE L 6 35X102X20		1				
280	33K5830903	SPONGE CASE L 7 35X55X20		1				
281	33K5840803	SPONGE CASE R 6 125X47X10		1				
282	33K5840903	SPONGE CASE R 7 217X40X10		1				
283	33K5830603	SPONGE CASE L 4		1				
284	33K5830203	SPONGE PANEL L		1				
285	33K5830303	SEAL SPONGE L 2.5X5X920		1				
286	33K5840103	SPONGE CASE R		1				
287	33K5840603	SPONGE CASE R 4		1				
288	33K5840903	SPONGE CASE R 7 217X40X10		1				
289	33K5840803	SPONGE CASE R 6 125X47X10		1				
290	33K5840703	SPONGE CASE R 5 35X194X20		1				
291	33K5840403	SPONGE CASE R 2		1				

Please order the parts with part number.

Print Date 16/11/2023

Model No.G1100 GENERATOR

Item	Parts No.	Description	I/C	Qty	New/Old	Opt. 1	Opt. 2	Note
292	33K5840503	SPONGE CASE R 3		1	*			
292-1	33K5840513	SPONGE CASE R 3	O	1				
293	33K5840203	SPONGE PANEL R		1				
294	33K5840303	SEAL SPONGE R 2.5X5X860		1				
295	33K5841003	SEAL SPONGE R 2		1				
296	33K5510103	TANK CAP COVER		1	*			
296-1	33K5510113	TANK CAP COVER	X	1				
297	0031306000	CLIP		1	*			
298	0150040090	TAPPING SCREW 4X12		1				
299	33K5300203	SCREW GROMMET		1				
300	33K9004003	LABEL(MODEL)R		1	*			
300-1	33K9004013	LABEL(MODEL)R	X	1				
301	33K9104003	LABEL(MODEL)L		1	*			
301-1	33K9104013	LABEL(MODEL)L	X	1				
302	33K9205003	LABEL SPEC 40X90		1	*			
302-1	33K9205013	LABEL SPEC 40X90	X	1				
303	33K9400403	LABEL(CAUTION)		1	*			
304	0732004520	OIL CAUTION LABEL		1				
305	0732004510	LABEL(SYMBOL-TANK)		1				
306	0732004500	LABEL(HOT&GAS)		1				
307	34K9211003	LABEL E-CON		1				
308	33K6110102	FUEL TANK UNIT		1	*			
308-1	33K6110112	FUEL TANK UNIT	O	1	*			
308-2	33K6110122	FUEL TANK UN	<	1	*			
308-3	33K6110132	FUEL TANK UN	<	1				
309	33K6500101	FUEL TANK CAP COMPLETE		1	*			
309-1	33K6501000	FUEL TANK CAP COMPLETE	O	1				
310	33K61201H1	FUEL FILTER COMPLETE		1	*			
310-1	33K61201J1	FUEL FILTER COMPLETE	X	1				
311	33K6300100	FUEL COCK ASS'Y		1	*			
311-1	33K6300110	FUEL COCK ASS'Y	X	1				
312	33K6140101	FUEL STRAINER		1	*			
312-1	33K6140201	FUEL STRAINER	O	1				
313	0043605120	SCREW ASS'Y M5X12		1				
314	0021805000	NUT M5		1	*			
314-1	264035-7	HEX. NUT M5	O	1				
315	33K6225003	RUBBER PIPE		1	*			
315-1	33K6227013	RUBBER PIPE	<	1				
316	0561130010	HOSE CLAMP 13D		2				
317	33K6410103	TANK MOUNT		2				
318	33K6400103	NECK RUBBER		1	*			
318-1	33K6400113	NECK RUBBER	X	1				
319	33K6420103	NECK RUBBER 2		1	*			
320	33K6300203	FUEL COCK BRACKET		1				
321	0110060020	FLANGE BOLT M6X1.0X14DX12L		1	*			

Please order the parts with part number.

Print Date 16/11/2023

Model No.G1100 GENERATOR

Item	Parts No.	Description	I/C	Qty	New/Old	Opt. 1	Opt. 2	Note
321-1	0110060030	FLANGE BOLT M6X1.0X14DX14L	X	1				
322	0021906000	NUT		1	*			
322-1	0021706000	NUT M6	X	1				
323	33K5841203	TANK SPONGE 80X45X5		1	*			
323-1	33K5841213	TANK SPONGE 80X45X5	X	1				
324	33K6220100	FUEL PUMP COMPLETE		1				
325	0851060000	RUBBER PIPE (6DX12D)		1				
326	0851060000	RUBBER PIPE (6DX12D)		2				
327	0561110020	HOSE CLAMP 11D		6	*			
327-1	0561110020	HOSE CLAMP 11D	X	5				
328	0150060020	TAPPING SCREW		2				
329	0100080420	BOLT		1				
330	0200080210	WASHER		1				
331	2843290401	STAY BAFFLE COMPLETE		1	*			
D10		INC. 332			*			
331-1	XFJ0000409	STAY BAFFLE COMPLETE	O	1				
D10		INC. 332						
332	2774670103	GASKET(CHOKE)		1				
333	0230060370	SPACER		1				
334	2845360303	CYLINDER BAFFLE (E/G)		1				
335	2845360903	SEAL SPONGE BAFFLE 2		1				
336	2845361003	SEAL SPONGE BAFFLE 3		2				
337	33K5832303	SPONGE BAFFLE 4		1				
338	2845360803	SEAL SPONGE BAFFLE		1				
339	0850930000	VINYL PIPE (3.5DX5.5D)		1	*			
339-1	2846700111	OVER FROW PIPE CP	<	1				
D10		INC. 342						
340	0850930000	VINYL PIPE (3.5DX5.5D)		1	*			
341	0850930000	VINYL PIPE (3.5DX5.5D)		1	*			
342	2846710103	Y CONNECTOR		1				
343	0569000020	PURSE LOCK ASS'Y		1				
344	2847959111	OIL SENSOR HARNESS COMPLETE		1				
346	33K5832203	REAR COVER SPONGE 3		1				
347	33K5832403	REAR COVER SPONGE 4		1				
348	0131040091	SCREW, WASHER AY		1				
349	0180040000	FLANGE NUT		1				
350	0732005190	LABEL(HOT&GAS)		1				
351	0561100030	HOSE CLAMP		1				
352	2846256308	PLATE		1	*			
352-1	2936235008	PLATE	X	1				
394	2796235108	SCREW		1				
395	2306244608	SPRING		1				
396	2846253708	PIPE		1				
397	2346255008	RING		1				

Please order the parts with part number.

Print Date 16/11/2023

Model No.G1100 GENERATOR

Item	Parts No.	Description	I/C	Qty	New/Old	Opt. 1	Opt. 2	Note
398	2266255008	RING		1				
399	1296235608	RING		1				
400	2366244508	SPRING		1				
401	2096244508	SPRING		1				
A01	33K9900100	ACCESSORY TOOL KIT		1	*			
A01-1	33K99001H0	ACCESSORY TOOL KIT	<	1				

Please order the parts with part number.

Print Date 16/11/2023