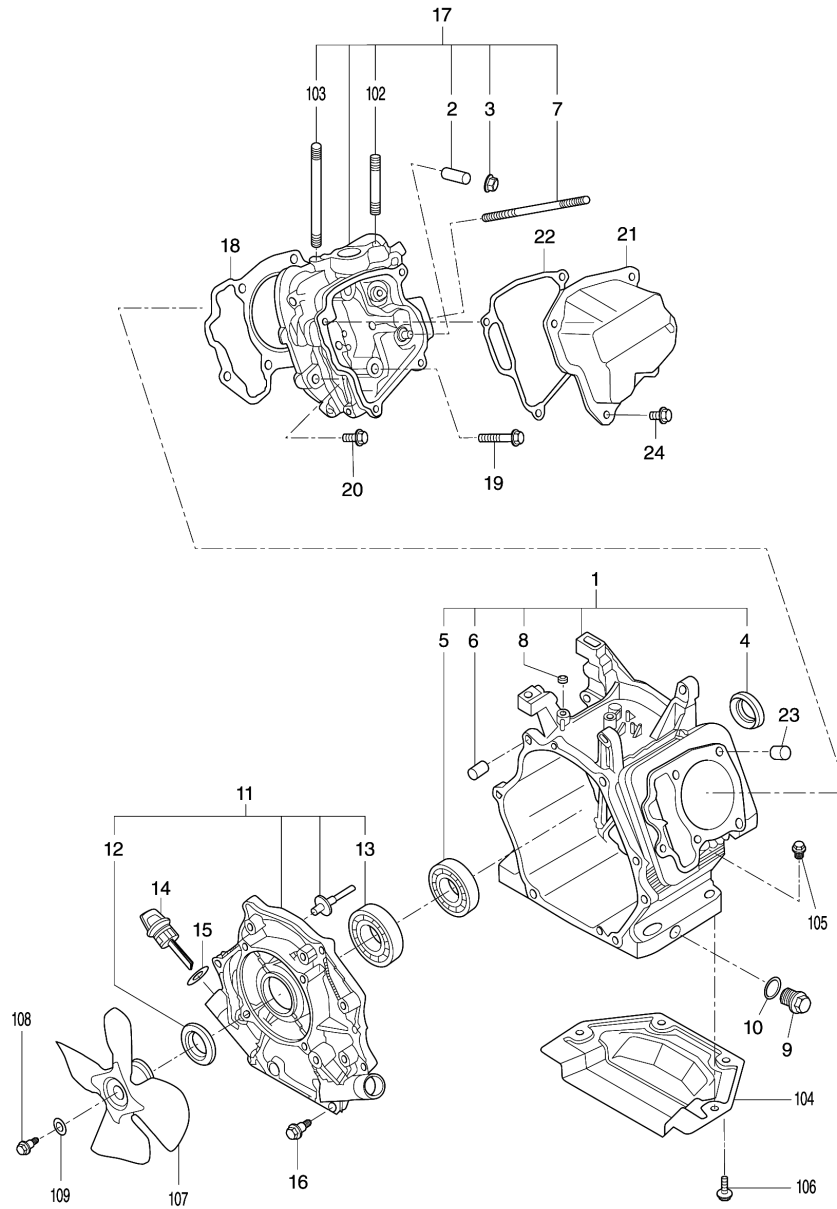
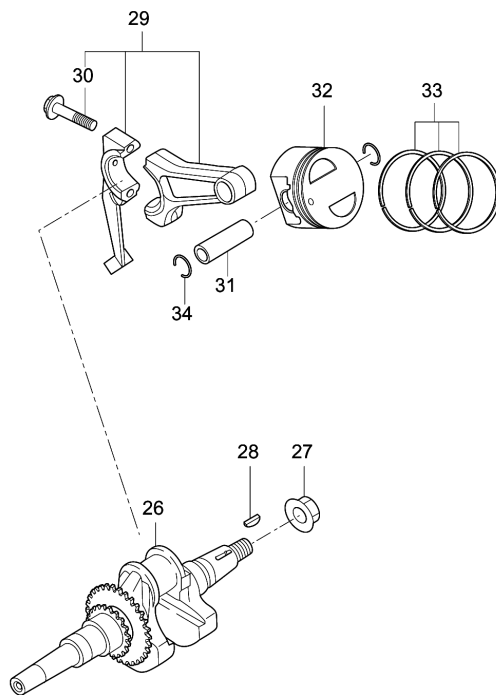


# Model No.G4300IS GENERATOR

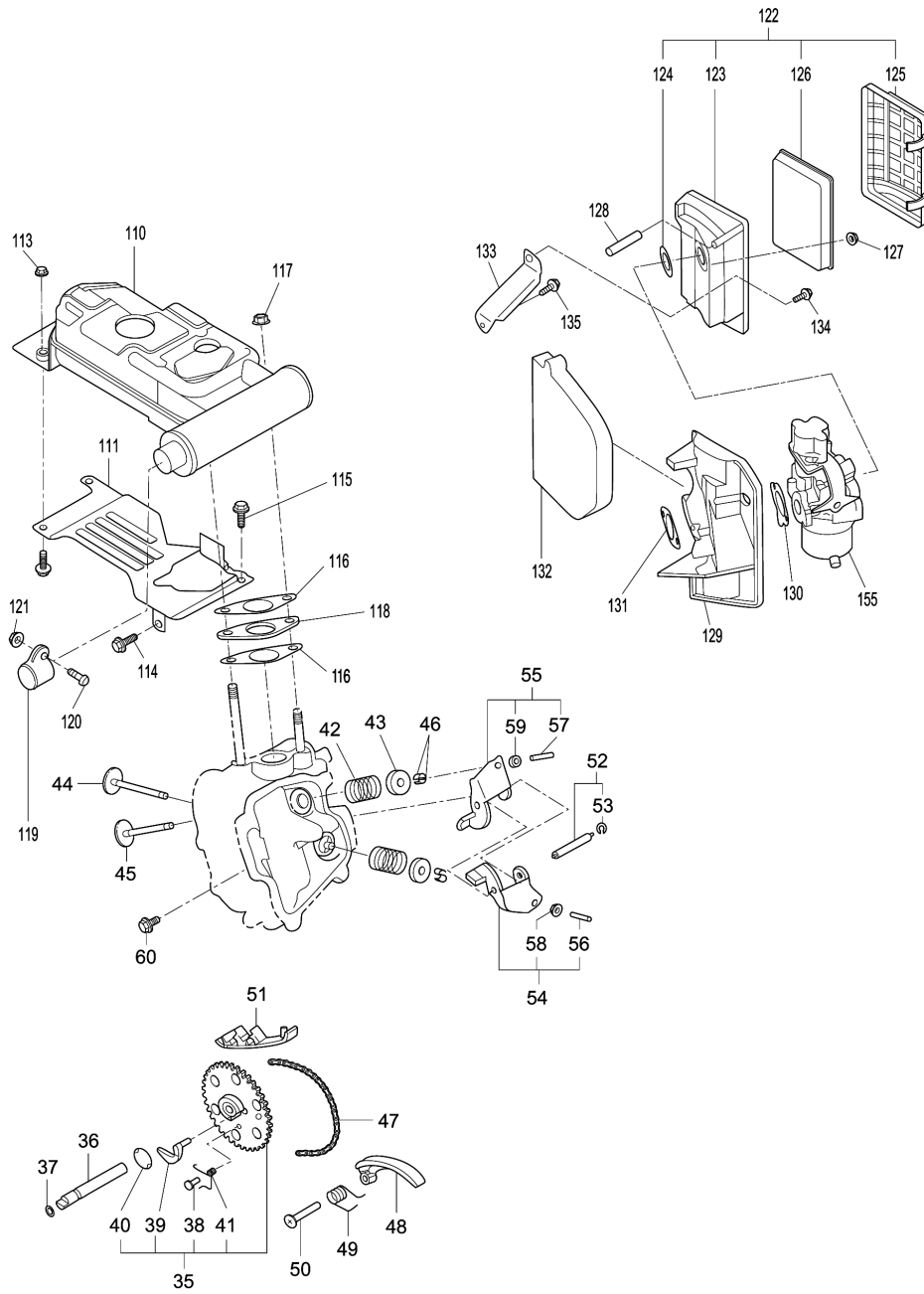


## 25 - GASKET SET

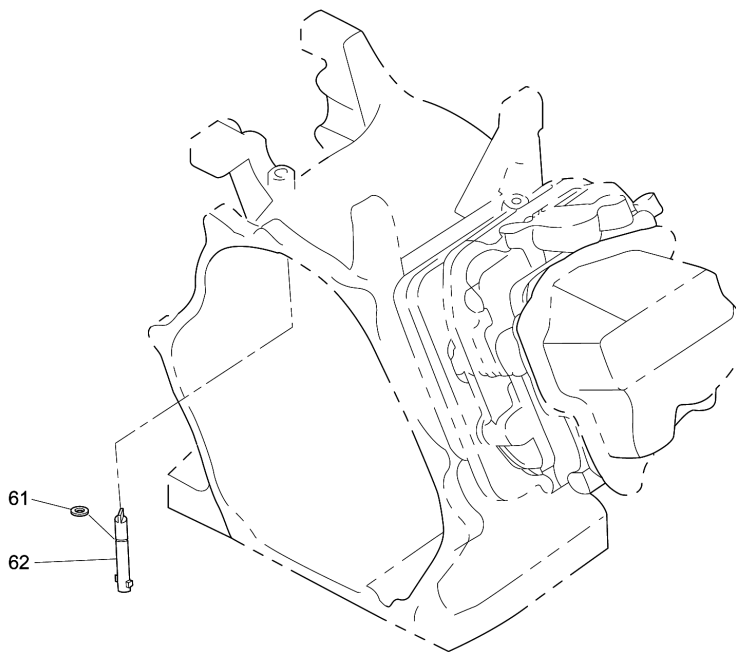
# Model No.G4300IS GENERATOR



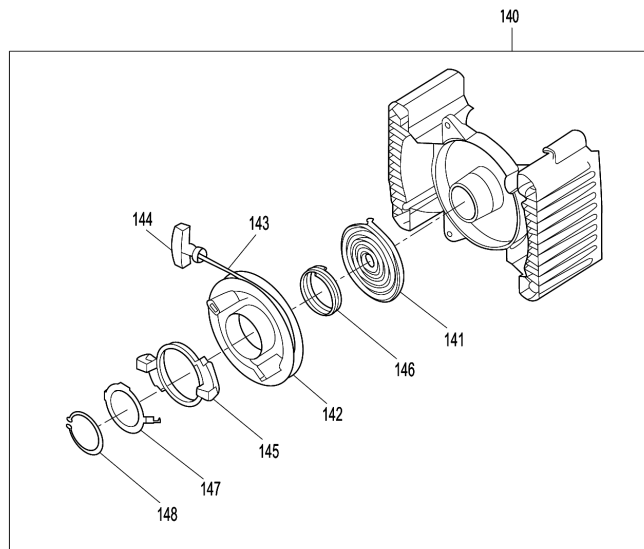
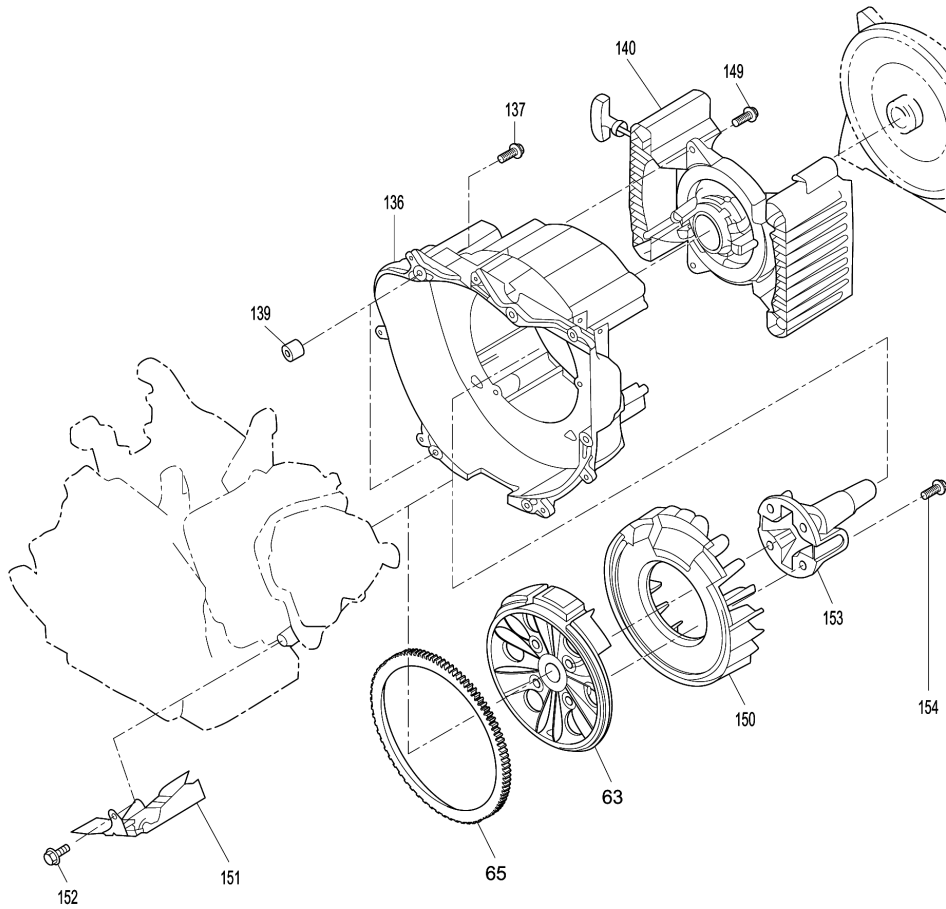
# Model No.G4300IS GENERATOR



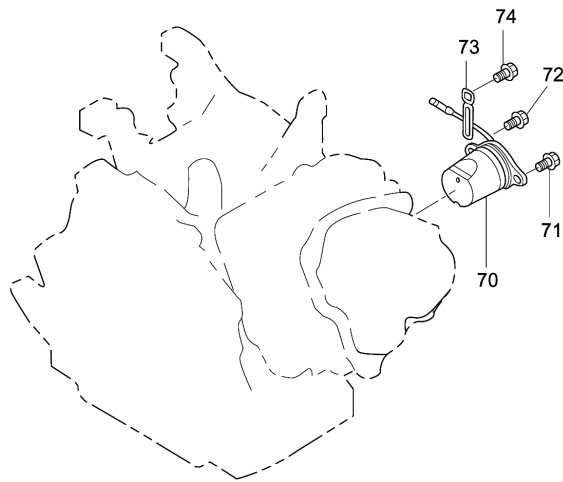
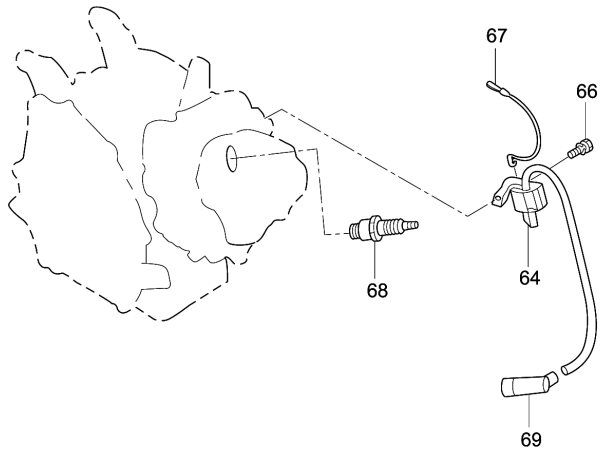
# Model No.G4300IS GENERATOR



# Model No.G4300IS GENERATOR

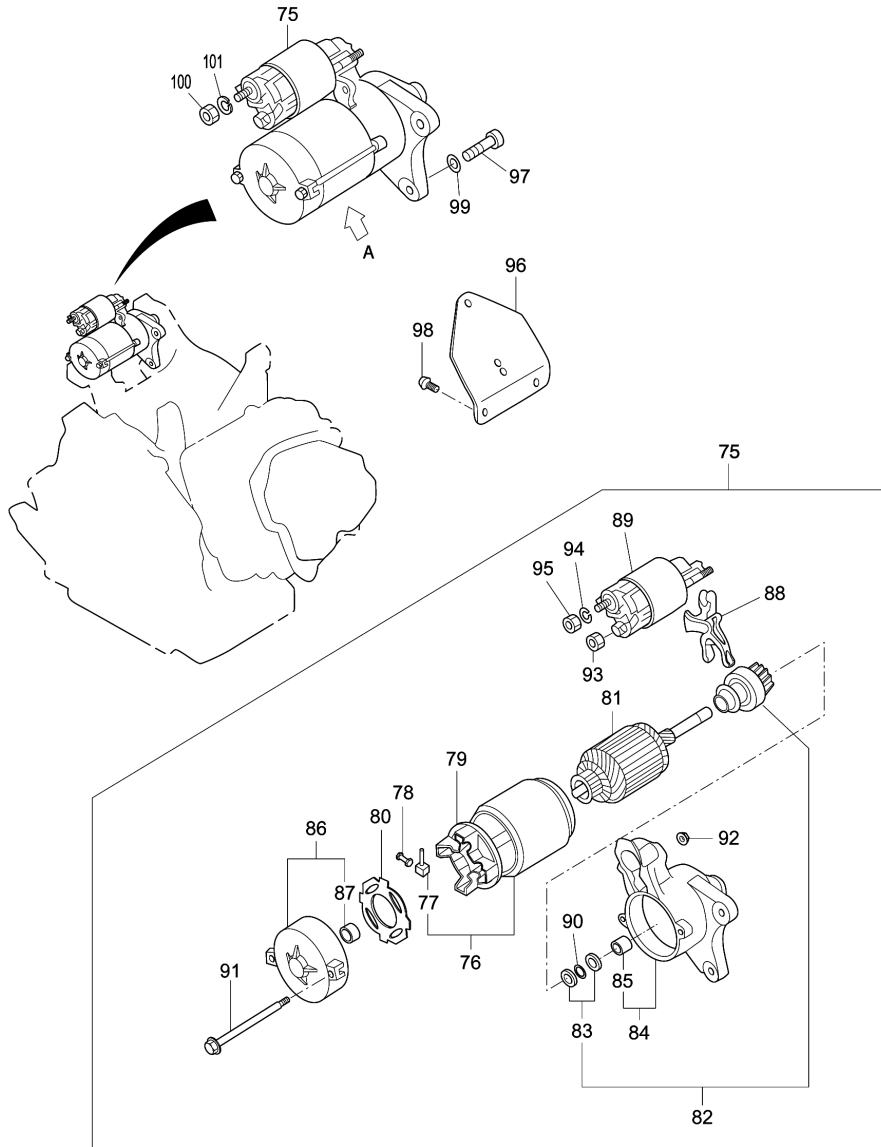


Model No.G4300IS GENERATOR

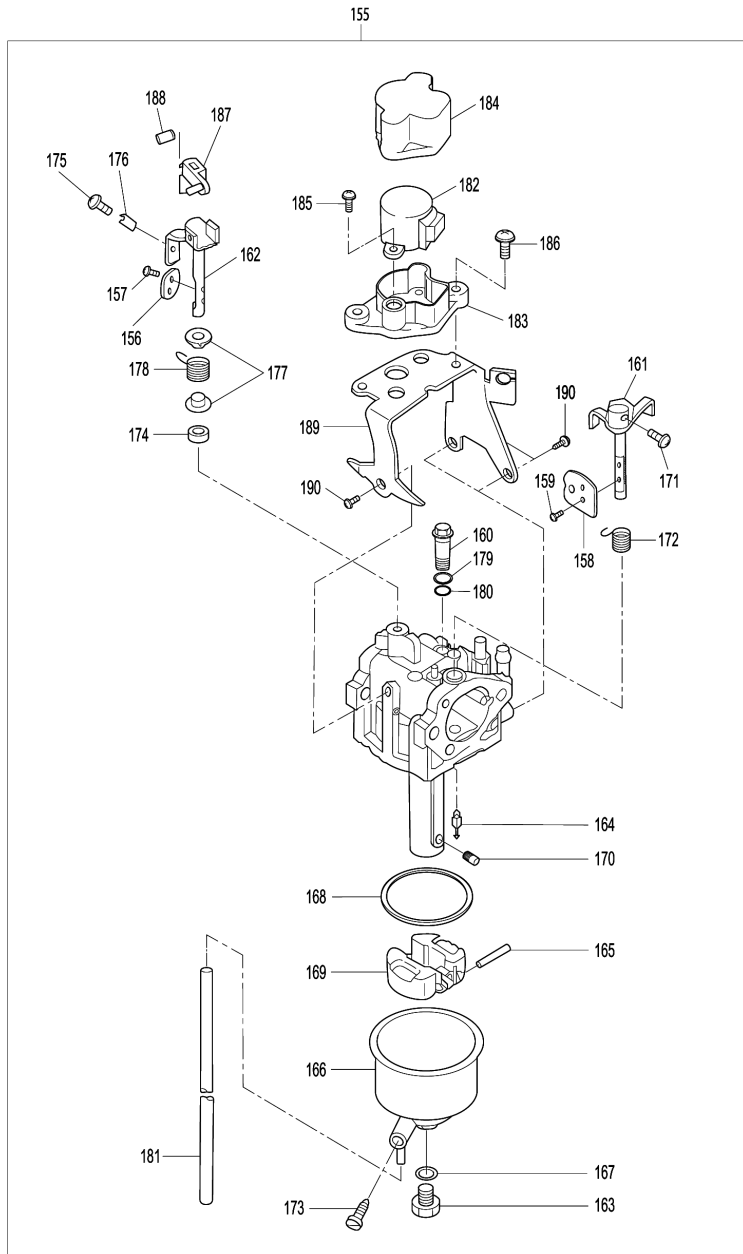


155 - CARBURETOR ASS'Y

# Model No.G4300IS GENERATOR

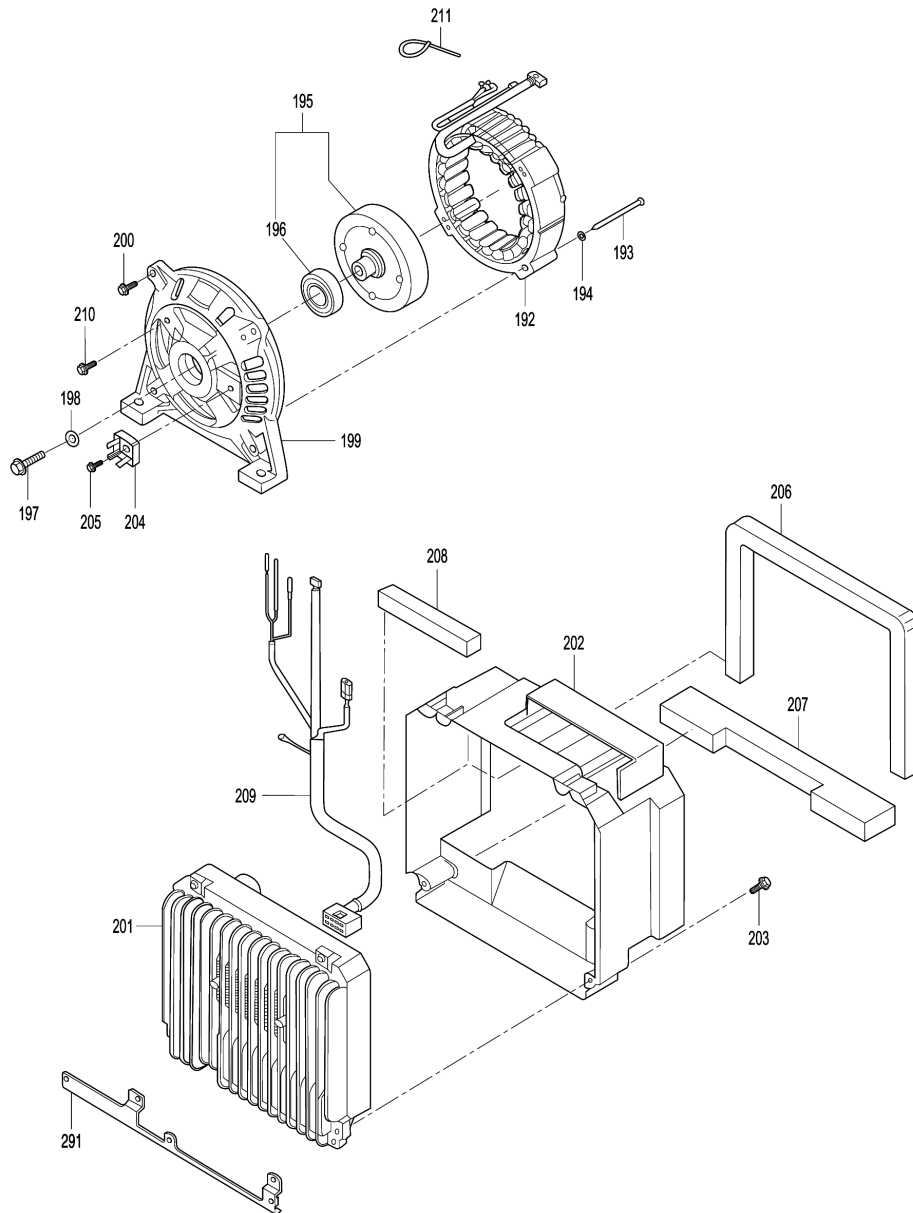


### Model No.G4300IS GENERATOR

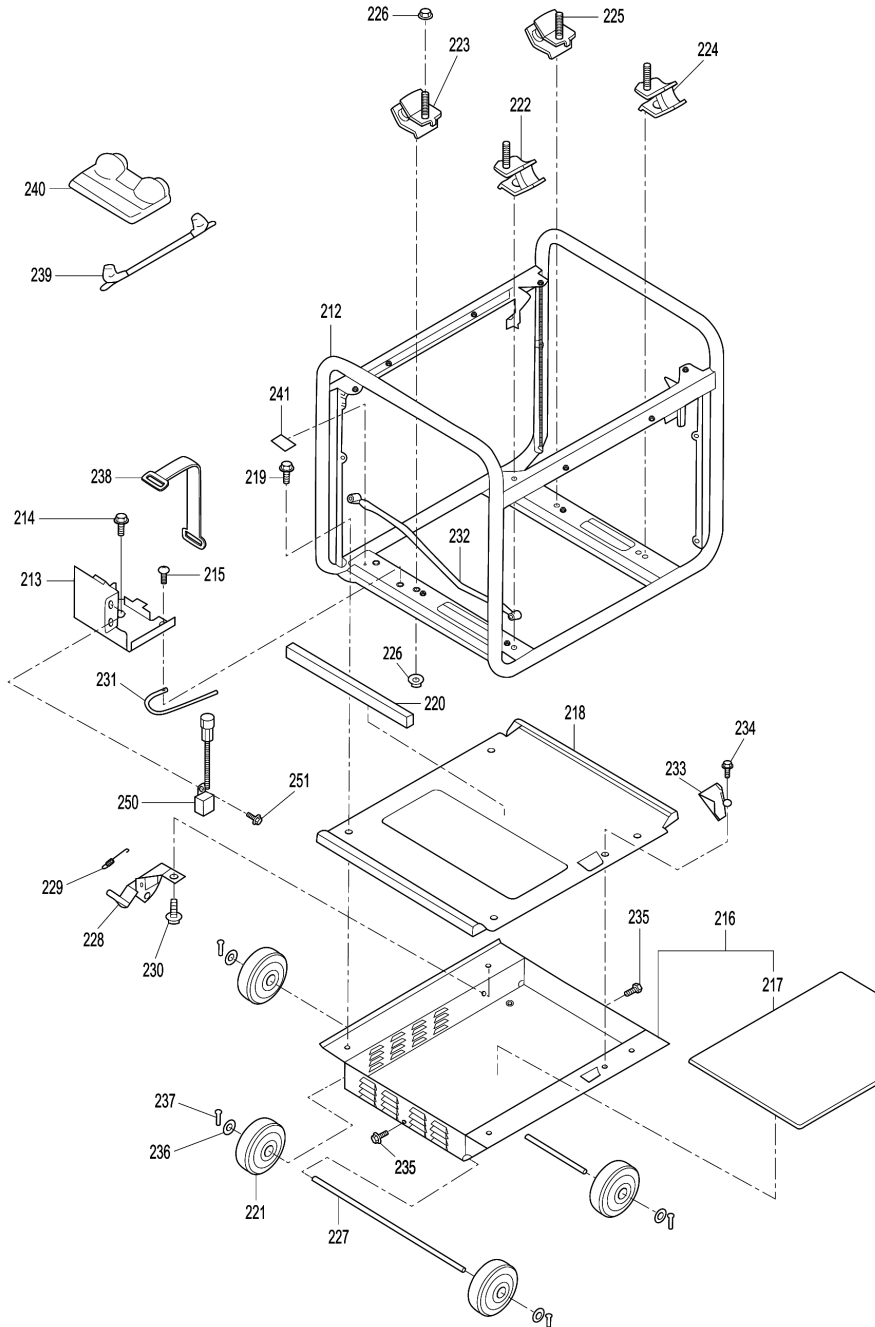




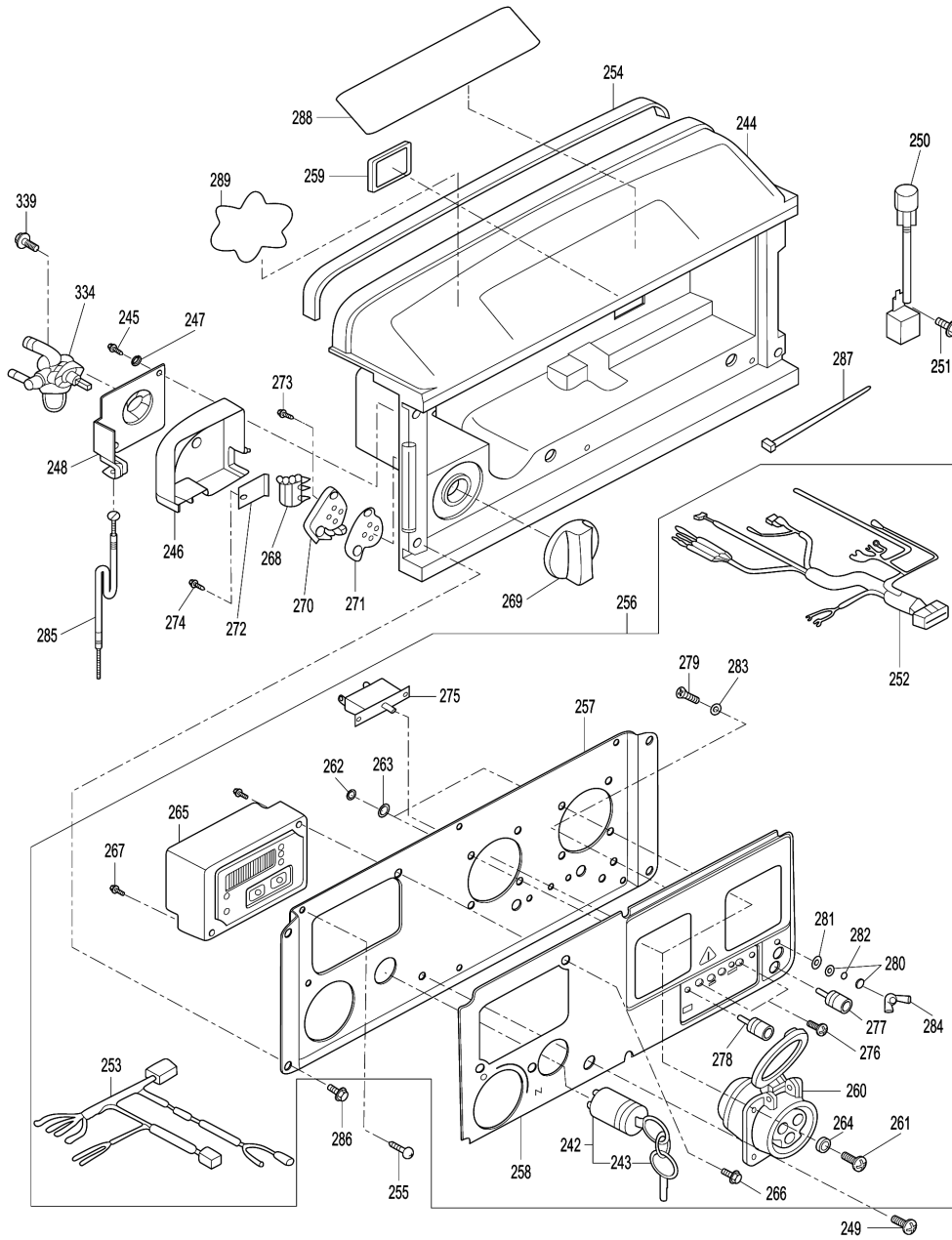
# Model No.G4300IS GENERATOR



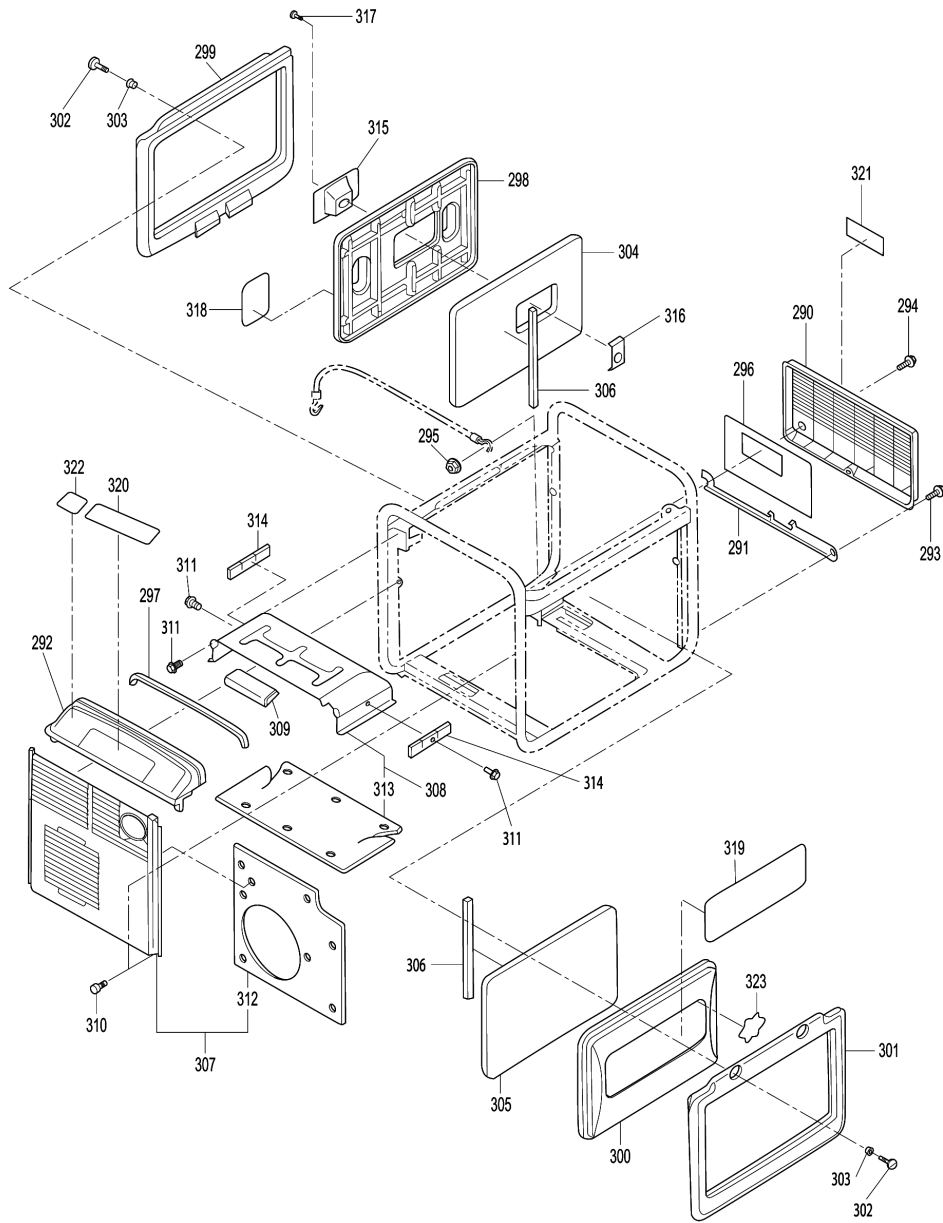
# Model No.G4300IS GENERATOR



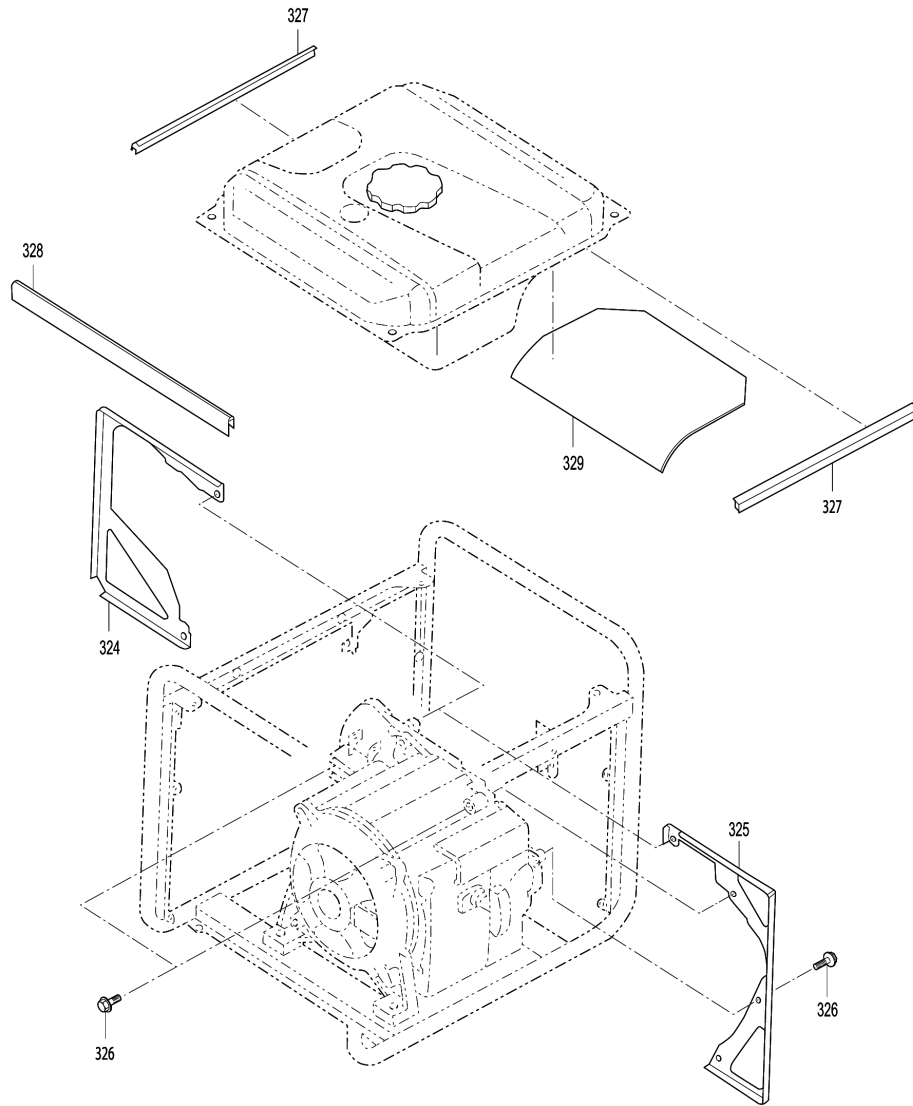
# Model No.G4300IS GENERATOR



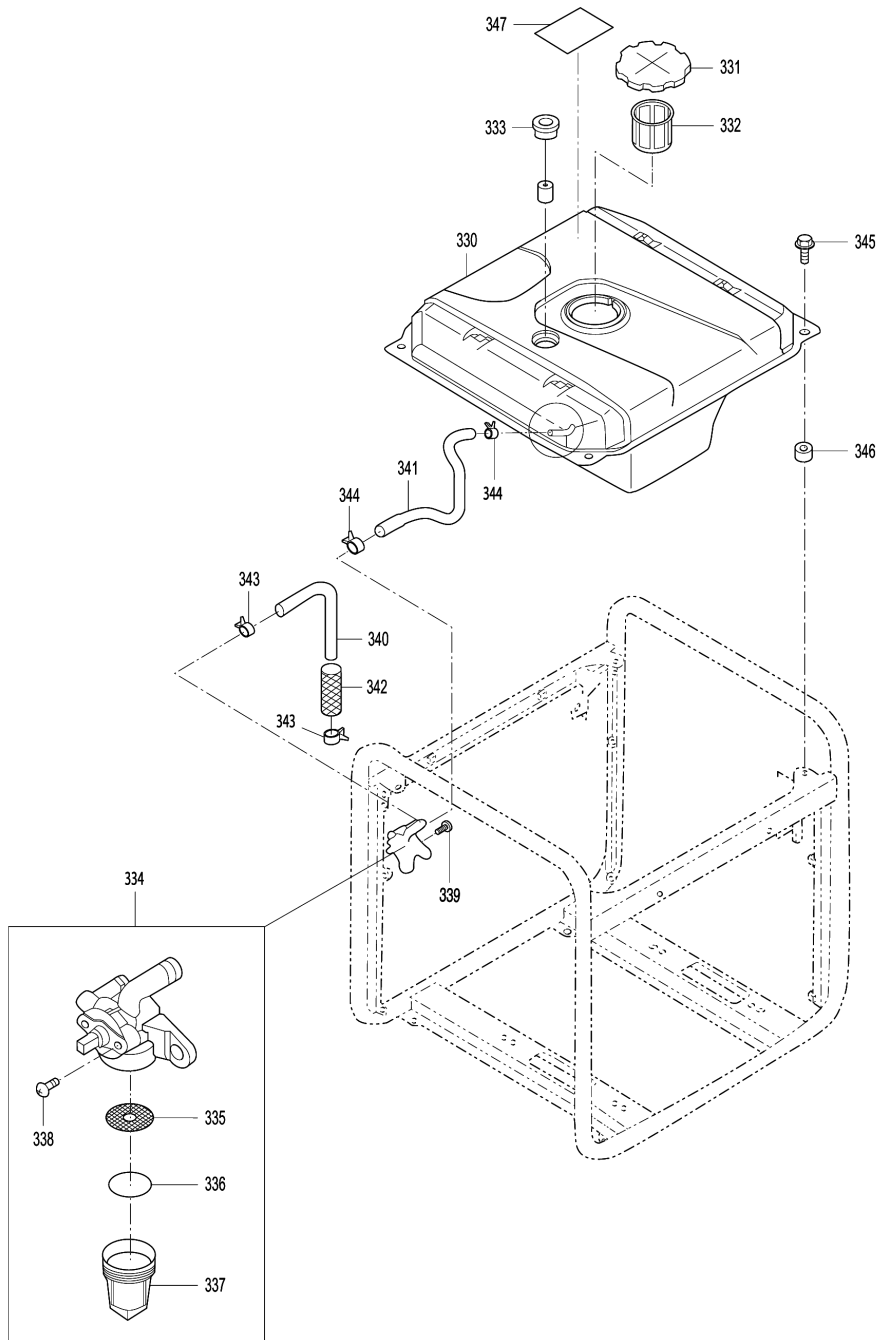
# Model No.G4300IS GENERATOR



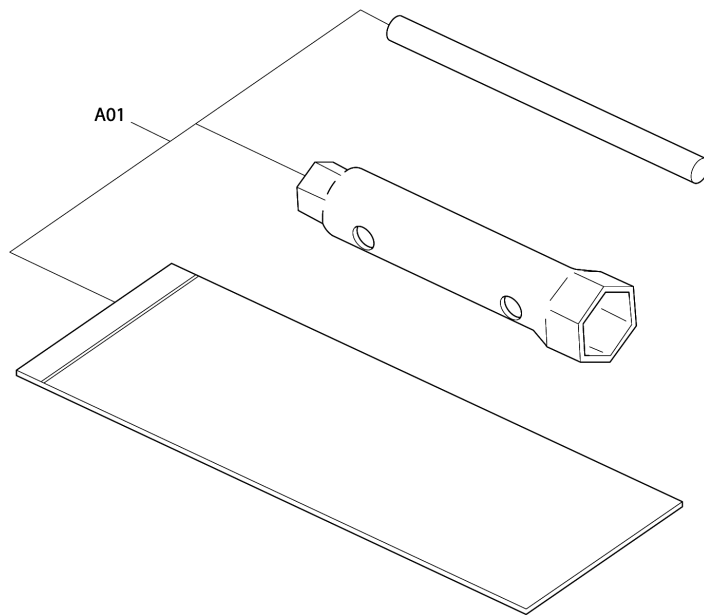
# Model No.G4300IS GENERATOR



# Model No.G4300IS GENERATOR



Model No.G4300IS GENERATOR



## Model No.G4300IS GENERATOR

Item	Parts No.	Description	I/C	Qty	New/Old	Opt. 1	Opt. 2	Note
001	2791010251	CRANK CASE COMPLETE		1	*			
D10		INC. 5,6,8			*			
001-1	2791010601	CRANK CASE CP	<	1	*			
D10		INC. 5,6,8			*			
D11		INC. 4-6,8			*			
001-2	2791012201	CRANK CASE CP	O	1				
D11		INC. 4-6,8						
002	2371420203	VALVE GUIDE (OVERSIZE)		2				
003	2771601001	STEM SEAL		1				
004	0440300160	OIL SEAL 30DX45DX7B		1				
005	0600300341	BALL BEARING 6206 30DX62DX16B		1				
006	2771501103	PIPE KNOCK 10.3DX8.5DX14L		2				
007	0105060410	STUD M6X1.0X107L		2				
008	0440060020	OIL SEAL 6DX10DX2.5B		1				
009	0401140030	PLUG		2				
010	0211140020	GASKET		2				
011	2791100121	MAIN BEARING COVER C		1	*			
D10		INC. 12,13			*			
011-1	2791100131	MAIN BEARING COVER C	O	1	*			
D10		INC. 12,13			*			
011-2	2791100141	MAIN BEARING COVER C	O	1				
D10		INC. 12,13						
012	0440300160	OIL SEAL 30DX45DX7B		1				
013	0600300370	BALL BEARING 6206 30DX62DX16B		1				
014	2796360113	OIL GAUGE M22X1.5L=67.5+18		2	*			
014-1	2796360123	OIL GAUGE	<	2	*			
014-2	2796360130	OIL GAUGE AY	<	2				
D10		INC. 15						
015	0213200050	GASKET		2	*			
015-1	2796360108	GASKET	<	2	*			
015-2	0213200050	GASKET	O	2				
016	0010408350	FLANGE BOLT		7				
017	2791300501	CYLINDER HEAD COMPLETE		1				
D10		INC. 2,3,7,102,103						
018	2791500123	GASKET (HEAD)		1	*			
018-1	2791500133	GASKET (HEAD)	O	1				
019	0110080240	FLANGE BOLT M8X1.25X16DX68L		4				
020	0110080310	FLANGE BOLT M8X33L		1				
021	2771550101	ROCKER COVER COMPLETE		1	*			
021-1	2771550301	ROCKER COVER CP	<	1	*			
021-2	2771550311	ROCKER COVER CP	<	1				
022	2771600103	GASKET(ROCKER COVER)T=0.7		1	*			
022-1	2771600113	GASKET(ROCKER COVER)T=0.7	O	1	*			

Please order the parts with part number.

Print Date 20/10/2023



## Model No.G4300IS GENERATOR

Item	Parts No.	Description	I/C	Qty	New/Old	Opt. 1	Opt. 2	Note
022-2	2771600123	GASKET(ROCKER COVER)T=0.7	<	1				
023	2771501103	PIPE KNOCK 10.3DX8.5DX14L		2				
024	0110060020	FLANGE BOLT M6X1.0X14DX12L		4				
025	2799900117	GASKET SET		1	*			
D10		INC. 10,15,18,22,116,130,131			*			
025-1	2799900127	GASKET SET	O	1	*			
D10		INC. 10,15,18,22,116,130,131			*			
025-2	2799900137	GASKET SET	<	1	*			
D10		INC. 10,15,18,22,116,130,131			*			
025-3	2799900147	GASKET SET	<	1				
D10		INC. 10,15,18,22,116,130,131						
026	2792070141	CRANKSHAFT COMPLETE		1	*			
026-1	2792070151	CRANK SHAFT COMPLETE	<	1				
027	0180180010	FLANGE NUT M18X15X31DX14H		1				
028	0323030010	WOODRUFF KEY		1				
029	2792250120	CONNECTING ROD ASSEMBLY		1	*			
D10		INC. 30			*			
029-1	2792250130	CONNECTING ROD ASSY	O	1				
D10		INC. 30						
030	2792300103	CONNECTING ROD BOLT M7X1X13.8D		2				
031	2792330103	PISTON PIN 18DX13DX53L		1				
032	2792340103	PISTON STD(75DX43H)		1	*			
032-1	27923401H3	PISTON	O	1				
032A_	2792340303	PISUTON 0.25 OVER SIZ(75DX43H)		1				
032B_	2792340403	PISUTON 0.25 OVER SIZ(75DX43H)		1				
033	2792351117	PISTON RING SET STANDARD OIL		1				
033A_	2792351217	PISTON RING SET 0.25 OVER SIZ		1				
033B_	2792351317	PISTON RING SET 0.50 OVER SIZE		1				
034	0565180010	CLIP		2				
035	2793160211	CAM SHAFT COMPLETE		1	*			
D10		INC. 36-41			*			
035-1	2793160221	CAM SHAFT COMPLETE	<	1	*			
D10		INC. 36-41			*			
035-2	2793160231	CAM SHAFT COMPLETE	<	1	*			
D10		INC. 36-41			*			
035-3	2793160241	CAM SHAFT COMPLETE	<	1	*			
D10		INC. 36-41			*			
035-4	2793160251	CAM SHAFT COMPLETE	<	1				
D10		INC. 36-41						
036	2773510103	PIN(CAM SHAFT)9DX78.5L		1	*			
036-1	2773510101	PIN(CAM SHAFT)CP	<	1				
C10	2773510103	PIN(CAM SHAFT)9DX78.5L		1	*			

Please order the parts with part number.

Print Date 20/10/2023

## Model No.G4300IS GENERATOR

Item	Parts No.	Description	I/C	Qty	New/Old	Opt. 1	Opt. 2	Note
D10		INC. 37						
037	0240060010	O RING 5.8DX9.6D		1	*			
038	2773860103	PIN(SPRING) 4DX8DX9L		1				
039	2793640103	RELEASE LEVER		1	*			
039-1	2793640113	RELEASE LEVER	S	1				
040	2773650103	CLIP 13.8DX20.3DX0.4T		1				
041	2793870113	RETURN SPRING		1	*			
041-1	2773870313	RETURN SPRING	S	1	*			
041-2	2773870323	RETURN SPRING	S	1	*			
041-3	2773870333	RETURN SPRING	<	1				
042	2793360103	VALVE SPING		2				
043	2693370103	SPRING RETAINER		2				
044	2793340113	INTAKE VALVE 28.5DX5.5DX67.8L		1	*			
044-1	27933401H3	INTAKE VALVE 28.5DX5.5DX67.8L	O	1	*			
044-2	22E3340103	INTAKE VALVE	<	1				
045	2793350113	EXHAUST VALVE 26.5DX5.5DX67.8L		1	*			
045-1	27933501H3	EXHAUST VALVE 26.5DX5.5DX67.8L	O	1	*			
045-2	22E3350103	EXHAUST VALVE 26.5DX5.5DX67.8L	O	1				
046	13210KA031	COLLET VALVE		4				
047	2793560111	TIMING CHAIN COMPLETE		1	*			
047-1	27935602H1	TIMING CHAIN CP	O	1				
048	2773691103	TENSIONER		1	*			
048-1	20A3691103	TENSIONER	<	1				
049	2773710103	SPRING(TENSIONER)		1				
050	2773690203	PIN(TENSIONER) 6DX13DX34L		1				
051	2773691313	CHAIN GUIDE		1	*			
051-1	20A3691303	CHAIN GUIDE	<	1				
052	2773500201	PIN(ROCKER) COMPLETE		1	*			
D10		INC. 53			*			
052-1	2773500401	PIN(ROCKER) CP	<	1				
D10		INC. 53						
053	0031305000	CLIP		1				
054	2773620100	LOCKER ARM(INTAKE) ASS'Y		1				
D10		INC. 56,58						
055	2773620200	ROCKER ARM(EXHAUST)ASS'Y		1				
D10		INC. 57,59						
056	0149050020	ADJUST SCREW M5X23		1				
057	0149050020	ADJUST SCREW M5X23		1				
058	0170050030	NUT M5		1				
059	0170050030	NUT M5		1				
060	0110060020	FLANGE BOLT M6X1.0X14DX12L		1				
061	2774860103	PIN(BLIND)		1	*			

Please order the parts with part number.

Print Date 20/10/2023

## Model No.G4300IS GENERATOR

Item	Parts No.	Description	I/C	Qty	New/Old	Opt. 1	Opt. 2	Note
061-1	2774860113	PIN(BLIND)	<	1				
062	0031305000	CLIP		1				
063	2797926111	FLYWHEEL COMPELTE		1	*			
063-1	2797926151	FLYWHEEL COMPLETE	<	1				
064	2797943101	IGNITION COIL COMPLETE		1				
065	2677100203	RING GEAR		1				
066	0011406250	BOLT & WASHER ASS'Y		2				
067	27973105H1	WIRE 5		1				
068	0650140150	SPARK PLUG (BR6HS)		1				
069	0655000270	SPARK PLUG CAP		1	*			
069-1	X655000270	SPARK PLUG CAP	O	1	*			
069-2	X655000271	SPARK PLUG CAP	<	1				
070	2797630131	OIL SENSOR COMPLETE		1	*			
070-1	2797630141	OIL SENSOR CP	O	1	*			
070-2	2797630151	OIL SENSOR CP	<	1	*			
070-3	2797630161	OIL LEVEL SENSOR CP	<	1				
071	0011406160	BOLT & WASHER ASS'Y		1				
072	0130060260	BOLT AND WASHER ASSEMBLY		1				
073	2797550103	WIRE CLAMP		1				
074	0152060050	TAPPING BOLT		1				
075	2797050200	STARTING MOTOR ASSEMBLY		1				
D10		INC. 76-95						
076	2097055008	YOKE COMPLETE		1				
D10		INC. 77						
077	2097055108	BRUSH		4				
078	2097054508	BRUSH SPRING		4				
079	2097053008	BRUSH HOLDER		1				
080	2097055208	INSULATOR		1				
081	2097055408	ARMATURE ASSEMBLY		1				
082	2097052108	OVER RUNNING CLUTCH		1				
D10		INC. 83						
083	2347055508	PINION STOPPER		1				
084	2797055008	HOUSING COMPLETE		1				
D10		INC. 85						
085	2097051108	BUSH		1				
086	2097050518	FRAME COMPLETE		1				
D10		INC. 87						
087	2097051008	BUSH		1				
088	2097052508	LEVER		1				
089	2797051508	MAGNET SWITCH COMPLETE		1				
090	2097055718	SNAP RING		1				
091	2097055808	THROUGH BOLT		2				
092	9492997002	NUT		2	*			
092-1	4929970-02	NUT	O	2				

Please order the parts with part number.

Print Date 20/10/2023

## Model No.G4300IS GENERATOR

Item	Parts No.	Description	I/C	Qty	New/Old	Opt. 1	Opt. 2	Note
093	2097056008	NUT		2				
094	1077065208	SPRING WASHER		1				
095	2117058408	NUT		1				
096	2797651111	BRACKET (SEL) COMPLETE		1				
097	2147900701	BOLT,STARTER		2				
098	0110060020	FLANGE BOLT M6X1.0X14DX12L		3				
099	0031008000	WASHER		2	*			
099-1	941202-8	FLAT WASHER 8	O	2				
100	0021708000	NUT		1				
101	0032008000	SPRING WASHER		1				
102	0105080290	MUFFLER STUD		1				
103	0105080440	STUD M8X120L		1				
104	33D3500101	BOTTOM EXT. PLATE COMPLETE		1				
105	0110080270	FLANGE BOLT M8X33L		2				
106	0110080150	FLANGE BOLT M8X12L		2				
107	34J5410101	FAN (SILENT) COMPLETE		1				
108	0011410250	BOLT AND WASHER		1				
109	0200080080	WASHER		1				
110	2793041131	MUFFLER COMPLETE(SILENT)		1	*			
110-1	2793041141	MUFFLER COMPLETE(SILENT)	O	1	*			
110-2	2793041161	MUFFLER COMPLETE(SILENT)	O	1				
111	33D5260103	BAFFLE		1				
112	0110080270	FLANGE BOLT M8X33L		2				
113	0023808000	FLANGE NUT		2				
114	0110080320	FLANGE BOLT		1				
115	0110060010	FLANGE BOLT M6X1.0X14DX8L		1				
116	2773520113	GASKET(MUFFLER)		2				
117	9802008280	FLANGE NUT M8		2	*			
117-1	0023808000	FLANGE NUT	O	2				
118	2793920103	FLANGE		1				
119	2773721000	TAIL SCREEN COMPLETE		1	*			
D10		INC.120.121			*			
119-1	2773721003	TAIL SCREEN COVER	S	1				
120	0043505160	SCREW ASS'Y		1				
121	0021805000	NUT M5		1	*			
121-1	264035-7	HEX. NUT M5	O	1				
122	2793262200	AIR CLEANER ASSEMBLY		1	*			
D10		INC. 123-126			*			
122-1	2793262210	AIR CLEANER ASSEMBLY	<	1				
D10		INC. 123-126						
123	2793263508	CLEANER BODY COMPELTE		1	*			
123-1	2793263518	CLEANER BODY COMPELTE	<	1				
124	2793265008	GASKET		1	*			
124-1	2793265018	GASKET	<	1				

Please order the parts with part number.

Print Date 20/10/2023

## Model No.G4300IS GENERATOR

Item	Parts No.	Description	I/C	Qty	New/Old	Opt. 1	Opt. 2	Note
125	2793264608	COVER COMPLETE		1				
126	2793261208	FILTER		1				
127	0023806000	FLANGE NUT M6		2				
128	0851080000	RUBBER PIPE (8DX11D)		1				
129	2793291003	INSULATOR		1	*			
129-1	2793291013	INSULATOR	<	1				
130	27935902H3	GASKET1(INSULATOR)		1	*			
130-1	27935902J3	GASKET1(INSULATOR)	O	1				
131	27935903H3	GASKET2(INSULATOR)		1	*			
131-1	27935903J3	GASKET2(INSULATOR)	O	1				
132	2793970103	SPONGE(INSULATOR)		1				
133	2793900401	BRACKET (A/C) COMPLETE		1				
134	0110060050	FLANGE BOLT		1	*			
134-1	0010406200	FLANGE BOLT M6X20	<	1				
135	0110060150	FLANGE BOLT		1				
136	2795200113	BLOWER HOUSING		1				
137	0011406300	BOLT AND WASHER ASS'Y		1				
138	0011406600	BOLT AND WASHER ASSEMBLY		4				
139	9804008110	STR PIN 8X10		2				
140	2775040100	RECOIL STARTER ASSY		1	*			
D10		INC. 141-148			*			
140-1	2775040110	RECOIL STARTER ASSY	O	1	*			
D10		INC. 141-148			*			
140-2	2775040120	RECOIL STARTER ASSY	<	1	*			
D10		INC. 141-148			*			
140-3	2775040130	RECOIL STARTER ASSY	<	1	*			
D10		INC. 141-148			*			
140-4	2775040140	RECOIL STARTER ASSY	<	1				
D10		INC. 141-148						
141	2775040208	SPIRAL SPRING		1				
142	2775040308	REEL		1				
143	2775040808	STARTER ROPE		1				
144	2775040908	STARTER KNOB		1	*			
144-1	2775040918	STARTER KNOB	<	1				
145	2775040408	RACHET		1				
146	2775040508	FRICITION SPRING		1				
147	2775040708	FRICITION PLATE		1				
148	2775040608	RETAINING RING		1				
149	0110060140	FLANGE BOLT M6X18L		3				
150	2795411003	COOLING BLOWER		1				
151	2795270213	BAFFLE2(HEAD)		1				
152	0110060020	FLANGE BOLT M6X1.0X14DX12L		1				
153	2772440103	DRIVING SHAFT		1				
154	0110100110	FLANGE BOLT M8X27L		4				

Please order the parts with part number.

Print Date 20/10/2023

## Model No.G4300IS GENERATOR

Item	Parts No.	Description	I/C	Qty	New/Old	Opt. 1	Opt. 2	Note
155	2796233000	CARBURETOR ASSEMBLY		1	*			
D10		INC. 156-190			*			
155-1	2796233010	CARBURETOR ASSEMBLY	O	1	*			
D10		INC. 156-190,352			*			
155-2	2796233020	CARBURETOR ASSEMBLY	<	1				
D10		INC. 156-190,352						
156	2796253508	THROTTLE VALVE		1				
157	2516245008	SCREW		2				
158	2796252608	VALVE CHOKE		1				
159	2516245008	SCREW		2				
160	2796242008	JET SLOW		1				
161	2796252108	CHOKE LEVER		1				
162	2796253108	THROTTLE SHAFT		1	*			
162-1	2796253118	THROTTLE SHAFT	X	1				
163	2516245308	SCREW		1				
164	2796250008	VALVE ASSEMBLY,NEEDLE		1				
165	2796251508	PIN FLOAT LEVER		1				
166	2796255308	FLOAT BODY		1				
167	2516235008	GASKET		1				
168	2796254008	GASKET CHAMBER		1				
169	2796250508	FLOAT SUB ASSEMBLY		1				
170	2796240008	JET MAIN		1				
171	2846245608	SCREW		1				
172	2796244708	SPRING(CHOKE)		1				
173	2796258108	SCREW		1				
174	2796256108	BUSH		1				
175	2796235318	SCREW ADJUSTING		1				
176	2796244508	SPRING		1				
177	2796256508	COLLAR		2				
178	2846231508	SPRING(THROTTLE)		1	*			
178-1	2796244918	SPRING(THROTTLE)	X	1				
179	2796245208	O-RING		1				
180	2796245108	O-RING		1				
181	2796259008	VINYL PIPE		1				
182	2846258008	MOTOR		1				
183	2846257608	BRACKET(MOTOR)		1	*			
183-1	2846257618	BRACKET MOTOR	X	1				
184	2776259508	COVER(MOTOR)		1				
185	2846245808	SCREW		2				
186	2846245708	SCREW		2				
187	2796260008	JOINT LEVER		1				
188	2846244608	SPRING		1	*			
188-1	2846244618	SPRING	X	1	*			
189	2796257508	BRACKET		1				
190	2796258008	SCREW		3				

Please order the parts with part number.

Print Date 20/10/2023

## Model No.G4300IS GENERATOR

Item	Parts No.	Description	I/C	Qty	New/Old	Opt. 1	Opt. 2	Note
191	0566000250	CLAMP		1				
192	34D2105101	STATOR COMPLETE		1				
193	34D2105108	BOLT		4				
194	0032005000	SPRING WASHER		4				
195	34D2006101	ROTOR COMPLETE		1				
D10		INC. 196						
196	34B2100108	BEARING		1				
197	0100100200	BOLT		1				
198	0200100160	WASHER		1				
199	34B2307101	REAR COVER		1				
200	0011406250	BOLT & WASHER ASS'Y		4				
201	KU31073011	INV AND E/G C/U COMPLETE(F14)		1	*			
201-1	KU31073041	INV AND E/G C/U COMPLETE(F14)	<	1	*			
201-2	KU51211411	INV AND E/G C/U COMPLETE(F14)	O	1	*			
201-3	KU51214401	INV AND E/G C/U COMPLETE(F14)	<	1	*			
201-4	KU51224401	INV AND E/G C/U COMPLETE(F14)	O	1				
202	34B5500103	COVER		1				
203	0043605160	SCREW ASS'Y M5X16 (W,SW)		2	*			
203-1	266494-1	+ PAN HEAD SCREW M5X16	O	2				
204	34K2090308	RECTIFIER		1				
205	34K2090408	SCREW		1				
206	34J5730103	SEAL SPONGE IN1		1	*			
206-1	34J5730113	SEAL SPONGE	O	1				
207	34B5730203	SEAL SPONGE IV2		1	*			
207-1	34B5730213	SEAL SPONGE IV2	<	1				
208	34B5730303	SEAL SPONGE IV3		1	*			
208-1	34B5730313	SEAL SPONGE IV3	<	1				
209	34B4810101	WIRE HARNESS		1	*			
209-1	34B4810201	WIRE HARNESS(E/G)CP	<	1				
210	34K2090508	SCREW		1				
211	34K2090708	BAND		2				
212	34J3000101	FRAME COMPLETE		1				
213	33B3560201	BATTERY BASE		1				
214	0110060080	FLANGE BOLT M6X12L		2				
215	0140060121	SCREW		1				
216	34J5310101	BASE PLATE(LOWER) COMPLETE		1				
D10		INC. 217						
217	34G5900503	SPONGE(BASE)		1				
218	34J5300201	BASE PLATE(UPPER) COMPLETE		1				
219	0011408160	BOLT AND WASHER ASSY		4				
220	34G5900603	SPONGE(BASE)		1				
221	3933060301	WHEEL		4	*			

Please order the parts with part number.

Print Date 20/10/2023

## Model No.G4300IS GENERATOR

Item	Parts No.	Description	I/C	Qty	New/Old	Opt. 1	Opt. 2	Note
221-1	34G5550111	WHEEL	<	4				
222	32B3021401	MOUNT COMPLETE(L)		1				
223	32B3021301	MOUNT COMPLETE(R)		1				
224	32B3020301	MOUNT COMPLETE(R) 35L		1				
225	32B3020401	MOUNT COMPLETE (L) 35L		1				
226	0023808000	FLANGE NUT		8				
227	34G5520101	SHAFT (WHEEL) COMPLETE		2	*			
227-1	34G5520111	SHAFT(WHEEL)COMPLETE	<	2				
228	34G5600210	BRAKE		1				
229	34G5610213	SPRING		1				
230	0011408160	BOLT AND WASHER ASSY		1				
231	33B4809101	EARTH WIRE COMPLETE		1				
232	34B4809101	EARTH WIRE		1				
233	34G5521111	DRAIN GUIDE		1	*			
233-1	34G5521121	DRAIN GUIDE	O	1				
234	0110060020	FLANGE BOLT M6X1.0X14DX12L		1				
235	0110060020	FLANGE BOLT M6X1.0X14DX12L		2				
236	0031112000	WASHER		4				
237	0051030250	COTTER PIN		4				
238	33B5800101	BATTERY BAND		1				
239	33B4807211	BATTERY WIRE COMPLETE		1				
240	33D3570103	BATTERY COVER		1				
241	0732002651	LABEL(EARTH)		1				
242	0660000330	KEY SWITCH ASS'Y		1	*			
D10		INC. 243			*			
D11		INC.243-1			*			
242-1	0660000331	KEY SWITCH ASS'Y	<	1				
D11		INC.243-1						
243	0660009980	KEY(2PCS)		2	*			
243-1	0660009980	KEY(2PCS)	<	1				
244	33B5000201	FRONT COVER (UPPER) COMPLETE		1	*			
244-1	33B5000111	FRONT COVER (UPPER) COMPLETE	<	1				
245	0150040070	TAPPING SCREW		2				
246	33B4600103	COVER (COCK)		1				
247	0031004000	WASHER		2				
248	33B4601201	BRACKET (COCK)		1	*			
248-1	33B4601211	BRACKET(COCK)	O	1				
249	0043606160	SCREW & WASHER ASS'Y		2				
250	33B4710101	DIODE		1				
251	0110060020	FLANGE BOLT M6X1.0X14DX12L		1				
252	34B4800201	WIRE HARNESS COMPLETE		1				
253	33B4805201	WIRE HARNESS COMPLETE		1				
254	34B5731103	SEAL SPONGE FC2		1				

Please order the parts with part number.

Print Date 20/10/2023



## Model No.G4300IS GENERATOR

Item	Parts No.	Description	I/C	Qty	New/Old	Opt. 1	Opt. 2	Note
255	3534990408	TAPPING SCREW(M4X10MM)		6				
256	34D4571410	CONTROL PANEL ASSEMBLY		1	*			
D10		INC. 242,243,252,253,257,258			*			
D20		INC. 260-265,273-282			*			
256-1	34D4571430	CONTROL PANEL ASSEMBLY	O	1	*			
D10		INC. 242,243,252,253,257,258			*			
D20		INC. 260-265,273-282			*			
256-2	34D4571470	CONTROL PANEL ASSEMBLY	<	1				
D10		INC. 242,243,252,253,257,258						
D20		INC. 260-265,273-282						
257	33B4500901	PANEL PLATE COMPLETE		1				
258	34B4911503	SHEET (PANEL VS) 15		1	*			
258-1	34B4911513	SHEET (PANEL VS) 15	O	1				
259	2277500103	GROMMET		1				
260	3584062108	AC RECEPTACLE F/GERMAN TYPE		2				
261	0043603120	SCREW & WASHER ASS'Y		8				
262	0021703000	NUT(M5)		8				
263	KU31177011	MONITOR C/U COMPLETE (INV2)		1	*			
263-1	KU31177021	MONITOR C/U COMPLETE (INV2)	O	1	*			
263-2	KU31177041	MONITOR C/U COMPLETE(INV2)	O	1	*			
264	0131040080	SCREW AND WASHER ASSY		2	*			
265	0021704000	NUT		2	*			
265-1	KU31177041	MONITOR C/U COMPLETE(INV2)	X	1	*			
265-2	KU31177231	MONITOR C/U COMPLETE(INV2)	O	1				
266	33K4181103	MICRO SWITCH		2	*			
266-1	33K4181203	MICRO SWITCH	O	2	*			
266-2	0131040080	SCREW AND WASHER ASSY	X	2	*			
266-3	33B4000308	SCREW AND WASHER ASSY	<	2				
267	33K4201003	CONTROL DIAL		1	*			
267-1	0021704000	NUT	X	2				
268	33K4202003	CHOKE REEL		1	*			
268-1	33K4181203	MICRO SWITCH	X	2				
269	33K4203013	PLATE		1	*			
269-1	33K4203023	PLATE	O	1	*			
269-2	33K4201003	CONTROL DIAL	X	1				
270	33B4601501	BRACKET		1	*			
270-1	33K4202003	CHOKE REEL	X	1				
271	33K4181408	TAPPING SCREW M3X16L		2	*			
271-1	33B4000108	TAPPING SCREW	O	2	*			
271-2	33K4203023	PLATE	X	1				
272	0150040070	TAPPING SCREW		1	*			
272-1	33B4601501	BRACKET	X	1				
273	3524562008	CIRCUIT BREAKER (DC) 10A		1	*			

Please order the parts with part number.

Print Date 20/10/2023

## Model No.G4300IS GENERATOR

Item	Parts No.	Description	I/C	Qty	New/Old	Opt. 1	Opt. 2	Note
273-1	33K4181408	TAPPING SCREW M3X16L	X	2				
274	31B7901103	SCREW AND WASHER ASS'Y		2	*			
274-1	0150040070	TAPPING SCREW	X	1				
275	3634570108	TERMINAL BOLT (RED)		1	*			
275-1	3524562008	CIRCUIT BREAKER (DC) 10A	X	1				
276	3634570008	TERMINAL BOLT (BLACK)		1	*			
276-1	31B7901103	SCREW AND WASHER ASS'Y	X	2				
277	3888800103	SCREW M5X18		1	*			
277-1	3634570108	TERMINAL BOLT (RED)	X	1				
278	3320005008	SPRING WASHER		2	*			
278-1	3634570008	TERMINAL BOLT (BLACK)	X	1				
279	3534990308	WASHER		1	*			
279-1	3888800103	SCREW M5X18	X	1				
280	3534990208	NUT		1	*			
280-1	3320005008	SPRING WASHER	X	2				
281	0033005000	LOCK WASHER		1	*			
281-1	3534990308	WASHER	X	1				
282	3534990108	WING NUT		1	*			
282-1	3534990208	NUT	X	1				
283	33B4602101	CHOKE WIRE COMPLETE		1	*			
283-1	0033005000	LOCK WASHER	X	1				
284	0140060190	SCREW		4	*			
284-1	3534990108	WING NUT	X	1				
285	0563000020	WIRE BAND		5	*			
285-1	33B4602101	CHOKE WIRE COMPLETE	X	1				
286	34J9001713	LABEL(TRADE MARK)		1	*			
286-1	0140060190	SCREW	X	4				
287	34K9211003	LABEL E-CON		1	*			
287-1	0563000020	WIRE BAND	X	5				
288	33B5010101	FRONT COVER (LOWER) COMPLETE		1	*			
288-1	34J9001713	LABEL(TRADE MARK)	X	1				
289	33B3550101	BRACKET (COVER) COMPLETE		1	*			
289-1	34K9211003	LABEL E-CON	X	1				
290	33B5050101	REAR COVER (UPPER)		1	*			
290-1	33B5010101	FRONT COVER (LOWER) COMPLETE	X	1				
291	0110060180	FLANGE BOLT M6X1.0X14DX18L		2	*			
291-1	33B3550101	BRACKET (COVER) COMPLETE	X	1				
292	0011106250	BOLT & WASHER ASSY		1	*			
292-1	33B5050101	REAR COVER (UPPER)	X	1				
293	0023806000	FLANGE NUT M6		1	*			
293-1	0110060180	FLANGE BOLT M6X1.0X14DX18L	X	2				
294	34B5731003	SEAL SPONGE FC1		1	*			
294-1	0011106250	BOLT & WASHER ASSY	X	1				

Please order the parts with part number.

Print Date 20/10/2023

## Model No.G4300IS GENERATOR

Item	Parts No.	Description	I/C	Qty	New/Old	Opt. 1	Opt. 2	Note
295	34B5731103	SEAL SPONGE FC2		1	*			
295-1	0023806000	FLANGE NUT M6	X	1				
296	34J5100201	SIDE COVER(R) COMPLETE		1	*			
296-1	34B5731003	SEAL SPONGE FC1	X	1				
297	34J5510103	SIDE RUBBER SEAL		1	*			
297-1	34B5731103	SEAL SPONGE FC2	X	1				
298	34J5110201	SIDE COVER(L) COMPLETE		1	*			
298-1	34J5100201	SIDE COVER(R) COMPLETE	X	1				
299	34J5510103	SIDE RUBBER SEAL		1				
300	34G5530101	COVER BOLT		4	*			
300-1	34G5530301	COVER BOLT	O	4	*			
300-2	34J5110201	SIDE COVER(L) COMPLETE	X	1				
301	34G5530201	SPACER		4	*			
301-1	34G5530401	SPACER	O	4	*			
301-2	34J5510103	SIDE RUBBER SEAL	X	1				
302	34J5900113	SPONGE(S COVER-R)		1	*			
302-1	34G5530301	COVER BOLT	X	4				
303	34J5900213	SPONGE(S COVER-L)		1	*			
303-1	34G5530401	SPACER	X	4				
304	34G5732103	SEAL SPONGE (SIDE)		2	*			
304-1	34J5900113	SPONGE(S COVER-R)	X	1				
305	33B5641101	MUFFLER COVER (REAR) COMPLETE		1	*			
D10		INC. 310			*			
305-1	33B5641111	MUFFLER COVER (REAR) COMPLETE	<	1	*			
D10		INC. 310			*			
305-2	33B5621111	MUFFLER COVER (REAR)	S	1	*			
305-3	34J5900213	SPONGE(S COVER-L)	X	1				
306	34J5635101	MUFFLER COVER (LL) COMPLETE		1	*			
D10		INC. 311			*			
306-1	34J5605101	MUFFLER COVER (LL)	O	1	*			
306-2	34G5732103	SEAL SPONGE (SIDE)	X	2				
307	33B5700503	SEAL RUBBER		1	*			
307-1	33B5621111	MUFFLER COVER (REAR)	X	1				
308	0110060180	FLANGE BOLT M6X1.0X14DX18L		6	*			
308-1	34J5605101	MUFFLER COVER (LL)	X	1				
309	0110060080	FLANGE BOLT M6X12L		4	*			
309-1	33B5700503	SEAL RUBBER	X	1				
310	33B5710503	GLASS WOOL(M COVER)		1	*			
310-1	33B5710513	GLASS WOOL(M COVER)	<	1	*			
310-2	0110060180	FLANGE BOLT M6X1.0X14DX18L	X	6				
311	33B5710403	GLASS WOOL		1	*			
311-1	0110060080	FLANGE BOLT M6X12L	X	4				
312	34J5732103	SEAL SPONGE(MUF27)		2	*			

Please order the parts with part number.

Print Date 20/10/2023

## Model No.G4300IS GENERATOR

Item	Parts No.	Description	I/C	Qty	New/Old	Opt. 1	Opt. 2	Note
312-1	33B5710513	GLASS WOOL(M COVER)	X	1				
313	34G5500101	COVER(RECOIL KNOB)COMPLETE		1	*			
313-1	34G5500111	COVER(RICOIL KNOB)CP	O	1	*			
313-2	33B5710403	GLASS WOOL	X	1				
314	34G5500201	PLATE COMPLETE		1	*			
314-1	34J5732103	SEAL SPONGE(MUF27)	X	2				
315	0043506100	SCREW & WASHER ASS'Y		2	*			
315-1	34G5500111	COVER(RICOIL KNOB)CP	X	1				
316	34J9101713	LABEL(TRADE MARK-R)		1	*			
316-1	34G5500201	PLATE COMPLETE	X	1				
317	34J9201713	LABEL(TRADE MARK-L)		1	*			
317-1	0043506100	SCREW & WASHER ASS'Y	X	2				
318	33B9713213	LABEL (TRADE MARK-RC)		1	*			
318-1	34J9101713	LABEL(TRADE MARK-R)	X	1				
319	34J9610613	LABEL(SPEC)		1	*			
319-1	34J9201713	LABEL(TRADE MARK-L)	X	1				
320	0732005390	LABEL(93DB)		1	*			
320-1	33B9713213	LABEL (TRADE MARK-RC)	X	1				
321	34K9211003	LABEL E-CON		1	*			
321-1	34J9610613	LABEL(SPEC)	X	1				
322	33D5610101	SEPARATOR(A/C)		1	*			
322-1	0732005390	LABEL(93DB)	X	1				
323	33D5610201	SEPARATOR(SEL)		1	*			
323-1	34K9211003	LABEL E-CON	X	1				
324	0110060010	FLANGE BOLT M6X1.0X14DX8L		5	*			
324-1	33D5610101	SEPARATOR(A/C)	X	1				
325	33B5700303	SEAL RUBBER		2	*			
325-1	33D5610201	SEPARATOR(SEL)	X	2	*			
325-2	33B5610211	SEPARATER (SEL)	O	2				
326	33B5700403	SEAL RUBBER		1	*			
326-1	0110060010	FLANGE BOLT M6X1.0X14DX8L	X	5				
327	34J5720103	SPONGE(TANK)		1	*			
327-1	33B5700303	SEAL RUBBER	X	2				
328	33D6010211	FUEL TANK COMPLETE		1	*			
328-1	33B5700403	SEAL RUBBER	X	1				
329	0430590011	FUEL TANK CAP, COMPLETE		1	*			
329-1	34J5720103	SPONGE(TANK)	X	1				
330	0641540011	FUEL FILTER		1	*			
330-1	33D6010211	FUEL TANK COMPLETE	X	1				
331	0648001500	FUEL GAUGE COMPLETE		1	*			
331-1	0430590011	FUEL TANK CAP, COMPLETE	X	1				
332	0642010300	FUEL STRAINER ASSY		1	*			
D10		INC. 333-336			*			
332-1	0641540011	FUEL FILTER	X	1				

Please order the parts with part number.

Print Date 20/10/2023

## Model No.G4300IS GENERATOR

Item	Parts No.	Description	I/C	Qty	New/Old	Opt. 1	Opt. 2	Note
333	0642009320	FILTER		1	*			
333-1	0648001500	FUEL GAUGE COMPLETE	X	1				
334	0642006410	RUBBER PACKING		1	*			
334-1	0642010300	FUEL STRAINER ASSY	X	1				
D10		INC. 335-338						
335	0642007810	CUP		1	*			
335-1	0642009320	FILTER	X	1				
336	0642004790	PAN HEAD SCREW M3X8		2	*			
336-1	0642006410	RUBBER PACKING	X	1				
337	0110060020	FLANGE BOLT M6X1.0X14DX12L		1	*			
337-1	0642007810	CUP	X	1				
338	0851060000	RUBBER PIPE (6DX12D)		1	*			
338-1	0642004790	PAN HEAD SCREW M3X8	X	2				
339	0851070040	RUBBER PIPE TANK-COCK		1	*			
339-1	0110060020	FLANGE BOLT M6X1.0X14DX12L	X	1				
340	2511730203	MESH PROTECTOR		1	*			
340-1	0851060000	RUBBER PIPE (6DX12D)	X	1				
341	0561110020	HOSE CLAMP 11D		2	*			
341-1	0851070040	RUBBER PIPE TANK-COCK	X	1				
342	0561130010	HOSE CLAMP 13D		2	*			
342-1	2511730203	MESH PROTECTOR	X	1				
343	0110060220	FLANGE BOLT		4	*			
343-1	0561110020	HOSE CLAMP 11D	X	2				
344	3913900013	RUBBER (TANK)		4	*			
344-1	0561130010	HOSE CLAMP 13D	X	2				
345	33B9710213	LABEL (CAUTION)		1	*			
345-1	0110060220	FLANGE BOLT	X	4				
346	34G5733103	SPONGE 1		2	*			
346-1	3913900013	RUBBER (TANK)	X	4				
347	34G5733203	SPONGE 2		2	*			
347-1	33B9710213	LABEL (CAUTION)	X	1				
348	34G5733103	SPONGE 1		2				
349	34G5733203	SPONGE 2		2				
350	2773722003	SCREEN		2				
351	2264500103	RETURN SPRING		1				
352	2846244708	WASHER		1				
353	33K4207403	SPRING(DIAL)		1				
354	33K4207103	BALL(DIAL)		1				
355	34G5900803	SPONGE		1				
356	34G6700113	SPONGE		2				
357	34G6700223	SPONGE		4				
A01	27790301H0	ACCESSORY TOOL KIT		1	*			
A01-1	27790301J0	ACCESSORY TOOL KIT	O	1				

Please order the parts with part number.

Print Date 20/10/2023