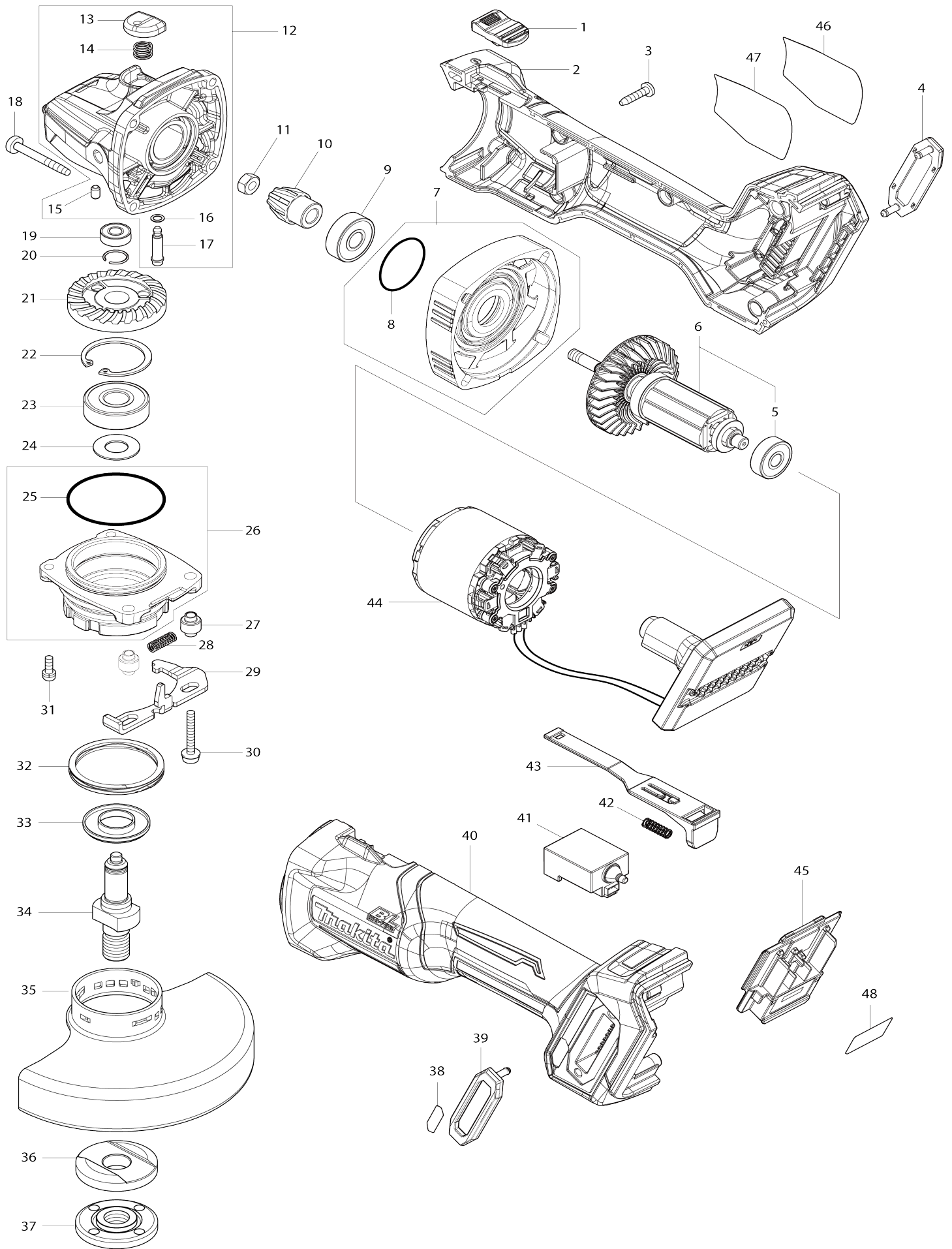


Model No.GA008G 125MM CORDLESS ANGLE GRINDER



Model No.GA008G 125MM CORDLESS ANGLE GRINDER

Item No.	Parts No.	Description	Interchangability	Q'ty	New/Old	Note1	Note2
001	455447-7	SWITCH KNOB		1			
002	183N89-8	MOTOR HOUSING SET		1			
C10	263005-3	RUBBER PIN 6		2			
D10		INC. 40					
003	266326-2	TAPPING SCREW 4X18		5			
004	422563-0	DUST COVER		1			
005	210023-2	BALL BEARING 627DDW		1			
006	519595-7	ROTOR ASS'Y		1			
D10		INC. 5					
007	136190-4	GEAR HOUSING COVER ASS'Y		1			
D10		INC. 8					
008	213445-5	O-RING 26		1			
009	210042-8	BALL BEARING 629LLB		1			
010	226976-5	SPIRAL BEVEL GEAR 10		1			
011	252186-8	HEX. NUT M6		1			
012	136198-8	GEAR HOUSING ASS'Y		1			
D10		INC. 13-17					
013	412234-7	PIN CAP		1			
014	233072-2	COMPRESSION SPRING 8		1			
015	263002-9	RUBBER PIN 4		1			
016	213960-9	O RING 5		1			
017	256546-6	SHOULDER PIN 4		1			
018	266048-4	TAPPING SCREW 4X40		4			
019	210033-9	BALL BEARING 696ZZ		1			
020	233950-6	RING SPRING 11		1			
021	226862-0	SPIRAL BEVEL GEAR 37		1			
022	962151-6	RETAINING RING R-32		1			
023	211129-9	BALL BEARING 6201DDW		1			
024	253464-9	FLAT WASHER 12		1			
025	213622-9	O RING 45		1	*		
025-1	213622-9	O RING 45	O	1			
026	136196-2	BEARING BOX ASS'Y		1	*		
D10		INC. 25					
026-1	136261-7	BEARING BOX ASS'Y	<	1			
C10	213510-0	O RING 36		1			
D10		INC. 25,32					
027	327322-6	SLEEVE 4		2			
028	232490-1	COMPRESSION SPRING 4		1			
029	347642-2	LEVER A		1			
030	911159-7	PAN HEAD SCREW M4X30		2			
031	911128-8	P.H.SCREW M4X16 WITH WR		2			
032	232542-8	COILED WAVE SPRING 41		1	*		
032-1	232542-8	COILED WAVE SPRING 41	O	1			
033	347640-6	LABYRINTH RING		1			
034	327484-0	SPINDLE		1	*		
034-1	136260-9	SPINDLE ASS'Y	<	1			
D10		INC. 33					

035	347480-2	WHEEL COVER 125		1	*		
035-1	141P46-4	WHEEL COVER 125 COMPLETE	<	1			
C10	8050A1-8	CAUTION LABEL		1			
036	224415-9	INNER FLANGE 42		1			
037	224554-5	LOCK NUT 14-45		1			
038	8007R2-2	XGT LOGO LABEL		1			
039	422563-0	DUST COVER		1			
040	183N89-8	MOTOR HOUSING SET		1			
C10	263005-3	RUBBER PIN 6		2			
D10		INC. 2					
041	651445-1	SWITCH FPM-1130		1			
042	233121-5	COMPRESSION SPRING 4		1			
043	412233-9	SWITCH LEVER		1			
044	629459-8	STATOR COMPLETE		1			
045	632P65-6	TERMINAL UNIT		1			
046	8008U5-3	CLEAR LABEL		1			
047	856U40-0	GA008G NAME PLATE		1			
048	856U44-2	GA008G SERIAL NO. LABEL		1			
A01	158237-4	GRIP 36 COMPLETE		1			
A02	A-80656	GRINDING WHEEL 125 WA36N		1			
A03	782423-1	LOCK NUT WRENCH 35		1			
A11	199710-5	CUTTING W.C.A. 125 SET		1			
F04	194514-0	VIBRATION PROOF GRIP SET		1			
F11	192227-7	SUPER FLANGE		1			
F13	191W05-0	115/125MM DUST COVER SET		1			
C10	743129-6	BRUSH A		1			
C20	743130-1	BRUSH B		1			
F19	1910Y0-7	WHEEL COVER 125C SET		1			

Please state Parts No. when your order.

Print Date 03/01/2024