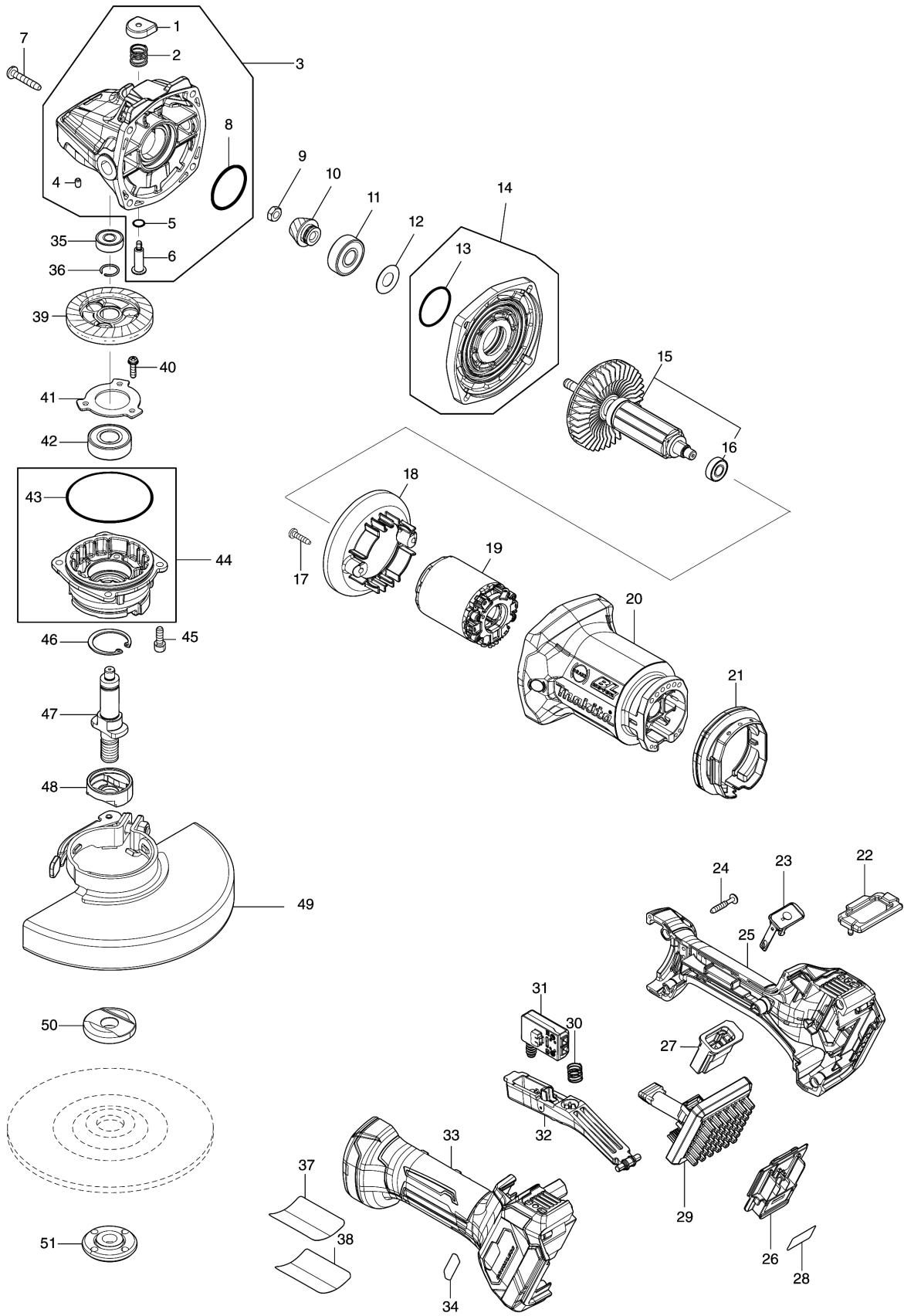


Model No.GA037G 180MM CORDLESS ANGLE GRINDER



Model No.GA037G 180MM CORDLESS ANGLE GRINDER

Item	Parts No.	Description	I/C	Qty	New/Old	Opt. 1	Opt. 2	Note
001	413219-6	PIN CAP		1				
002	233292-8	COMPRESSION SPRING 12		1				
003	136365-5	GEAR HOUSING ASS'Y		1				
D10		INC. 1,2,4-6,8						
004	263002-9	RUBBER PIN 4		1				
005	213026-5	O RING 7		1				
006	256516-5	SHOULDER PIN 11		1				
007	266173-1	TAPPING SCREW 5X30		4				
008	213510-0	O RING 36		1				
009	264010-3	HEX.NUT M7		1				
010	227564-1	SPIRAL BEVEL GEAR 10A		1				
011	211137-0	BALL BEARING 6201LLU		1				
012	253759-0	FLAT WASHER 12		1				
013	213459-4	O RING 32		1				
014	136363-9	GEAR HOUSING COVER ASS'Y		1				
D10		INC. 13						
015	519436-7	ROTOR ASS'Y		1				
D10		INC. 16						
016	211166-3	BALL BEARING 698DDW		1				
017	266326-2	TAPPING SCREW 4X18		2				
018	457618-2	BAFFLE PLATE		1				
019	629A38-8	STATOR		1				
020	457615-8	MOTOR HOUSING		1				
021	457619-0	VIBRATION PROOF RUBBER		1				
022	422656-3	DUST COVER		1				
023	140F99-0	CAP COMPLETE		1				
C10	213218-6	O RING 16		1	*			
C11	213A05-9	O-RING16	O	1				
C20	818H07-8	CAP LABEL		1				
024	265999-8	TAPPING SCREW 4X25		5				
025	183R97-3	HANDLE SET		1				
C10	263005-3	RUBBER PIN 6		2				
D10		INC. 33						
026	632P49-4	TERMINAL UNIT		1				
027	413218-8	CONNECTOR CASE		1				
028	858A78-1	GA037G SERIAL NO. LABEL		1				
029	620E23-8	CONTROLLER		1				
030	234357-9	COMPRESSION SPRING 11		1				
031	651083-9	SWITCH C3XA-1PSPM		1				
032	140X49-3	SWITCH LEVER COMPLETE		1				
033	183R97-3	HANDLE SET		1				
C10	263005-3	RUBBER PIN 6		2				
D10		INC. 25						
034	8012U4-2	XGT LOGO LABEL		1				
035	210029-0	BALL BEARING 608ZZ		1				

Please order the parts with part number.

Print Date 26/10/2023

Model No.GA037G 180MM CORDLESS ANGLE GRINDER

Item	Parts No.	Description	I/C	Qty	New/Old	Opt. 1	Opt. 2	Note
036	233925-5	RING SPRING 13		1				
037	858A74-9	GA037G NAME PLATE		1				
038	8026G1-7	CLEAR LABEL		1	*			
039	227562-5	SPIRAL BEVEL GEAR 38		1				
040	911128-8	P.H.SCREW M4X16 WITH WR		3				
041	285851-4	BEARING RETAINER		1				
042	211241-5	BALL BEARING 6202DDW		1				
043	213720-9	O RING 67		1				
044	136364-7	BEARING BOX ASS'Y		1				
D10		INC. 43						
045	922221-3	HEX. SOCKET HEAD BOLT M5X16		4				
046	962151-6	RETAINING RING R-32		1				
047	326963-5	SPINDLE		1				
048	310800-3	LEAD FLANGE		1				
049	127713-9	TOOLLESS WHEEL COVER 180F ASSY		1	*			
049-1	141P43-0	TOOLLESS WHEEL COVER 180F CMP	<	1				
C10	8050A1-8	CAUTION LABEL		1				
050	224447-6	INNER FLANGE 42B		1				
051	224485-8	LOCK NUT 14-45		1				
A01	143486-6	GRIP 37 COMPLETE		1				
A02	782034-2	LOCK NUT WRENCH 35		1				
A03B	8027W3-1	GA037GT201 MODEL NO. LABEL		1				
A03C	8027V8-4	GA037GM201 MODEL NO. LABEL		1				
A04B	412393-7	BATTERY COVER		2				
A04C	412393-7	BATTERY COVER		2				
A05B	***DC40RA	DC40RA FAST CHARGER		1				
D10		COMPO-PARTS						
A05C	***DC40RA	DC40RA FAST CHARGER		1				
D10		COMPO-PARTS						
A06B	191L47-8	BATTERY BL4050F SET		1				
A06C	191B26-6	BATTERY BL4040 SET		2				
A07B	821841-9	PLASTIC CASE		1				
C10	162271-8	LATCH		2				
C20	451134-6	HANDLE		1				
C30	452875-7	SHAFT		2				
A07C	821841-9	PLASTIC CASE		1				
C10	162271-8	LATCH		2				
C20	451134-6	HANDLE		1				
C30	452875-7	SHAFT		2				
A10	122914-4	WHEEL COVER 180CK ASSEMBLY		1				
C10	213017-6	O RING 6		1				
C20	265198-2	+PAN HEAD SCREW M8X25		1				
F11-2	198900-7	WIRELESS UNIT SET	<	1				

Please order the parts with part number.

Print Date 26/10/2023

Model No.GA037G 180MM CORDLESS ANGLE GRINDER

Item	Parts No.	Description	I/C	Qty	New/Old	Opt. 1	Opt. 2	Note
F45	191X44-6	180MM DUST COLLECT COVER K SET		1				

Please order the parts with part number.

Print Date 26/10/2023