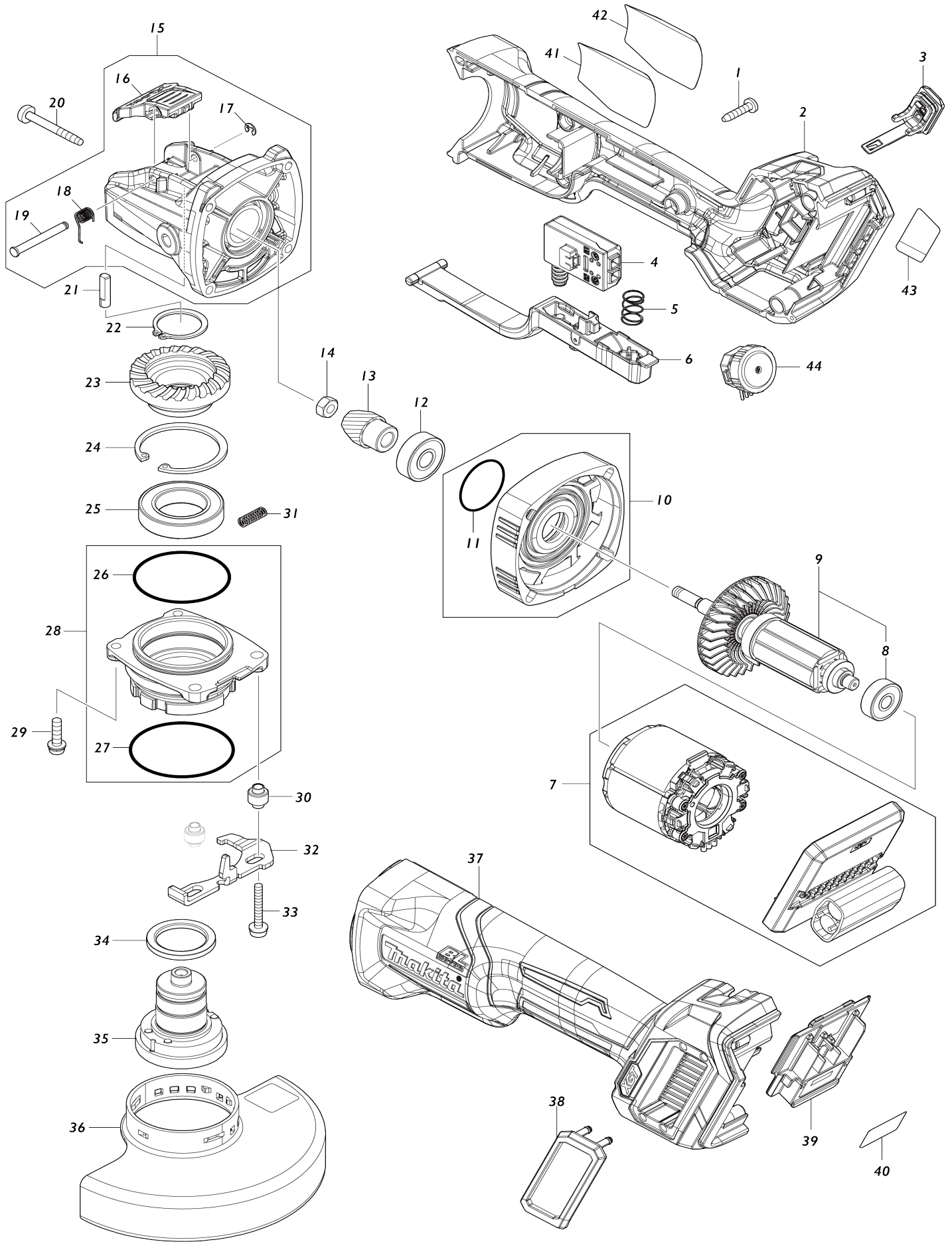


Model No.GA044G 125MM CORDLESS ANGLE GRINDER



Model No.GA044G 125MM CORDLESS ANGLE GRINDER

Item No.	Parts No.	Description	Interchangability	Q'ty	New/Old	Note1	Note2
001	266326-2	TAPPING SCREW 4X18		5			
002	183W45-2	MOTOR HOUSING SET		1			
C10	263005-3	RUBBER PIN 6		2			
C20	8005T5-8	XGT LOGO LABEL		1			
D10		INC. 37					
003	140G30-2	CAP COMPLETE		1			
C10	213A05-9	O-RING16		1			
C20	818H48-4	CAP LABEL		1			
004	651083-9	SWITCH C3XA-1PSPM		1			
005	233263-5	COMPRESSION SPRING 9		1			
006	140T33-4	SWITCH LEVER COMPLETE		1			
007	629A00-3	STATOR COMPLETE		1			
008	210023-2	BALL BEARING 627DDW		1			
009	519762-4	ROTOR ASS'Y		1			
D10		INC. 8					
010	136190-4	GEAR HOUSING COVER ASS'Y		1			
D10		INC. 11					
011	213445-5	O-RING 26		1			
012	210042-8	BALL BEARING 629LLB		1			
013	226950-3	SPIRAL BEVEL GEAR 10		1			
014	252186-8	HEX. NUT M6		1			
015	136715-4	GEAR HOUSING ASS'Y		1			
D10		INC. 16-19					
016	459967-3	LEVER		1			
017	961017-7	STOP RING E-3		1			
018	232576-1	TORSION SPRING 5		1			
019	256935-5	HEADED PIN 4		1			
020	266048-4	TAPPING SCREW 4X40		4			
021	327460-4	SHAFT		1			
022	961104-2	RETAINING RING S-24		1			
023	226951-1	SPIRAL BEVEL GEAR 37		1			
024	962201-7	RETAINING RING (INT) R-42		1			
025	210208-0	BALL BEARING 6905DDW		1			
026	213622-9	O RING 45		1			
027	213783-5	O-RING 48		1			
028	136716-2	BEARING BOX ASS'Y		1			
D10		INC. 26,27					
029	911138-5	P.H.SCREW M4X20 WITH WR		2			
030	327322-6	SLEEVE 4		2			
031	232490-1	COMPRESSION SPRING 4		1			
032	347A22-8	LEVER		1			
033	911159-7	PAN HEAD SCREW M4X30		2			
034	327459-9	RING 25		1			
035	127428-8	SPINDLE ASSEMBLY		1			
036	141L27-4	WHEEL COVER 125 COMPLETE		1			
C10	8050A1-8	CAUTION LABEL		1			
037	183W45-2	MOTOR HOUSING SET		1			

C10	263005-3	RUBBER PIN 6		2		
C20	8005T5-8	XGT LOGO LABEL		1		
D10		INC. 2				
038	422610-7	DUST COVER		1		
039	632P65-6	TERMINAL UNIT		1		
040	858G49-4	GA044G SERIAL NO. LABEL		1		
041	858G46-0	GA044G NAME PLATE		1		
042	8008U5-3	CLEAR LABEL		1	*	
043	8015J1-9	INDICATION LABEL		1		
044	620D30-5	DIAL CIRCUIT		1		
A01	199710-5	CUTTING W.C.A. 125 SET		1		
A02	158237-4	GRIP 36 COMPLETE		1		
A03	E-00402	GRINDING WHEEL INOX 125 X-L OCK		1		
F03	191G05-4	125MM DUST COLLECT COVER S ET		1		
F04	194514-0	VIBRATION PROOF GRIP SET		1		
A02	162258-0	VIBRATION PROOF GRIP		1		
A04	8054S7-6	GA044GM201 INDICATION LABE L		1		
A05	8054V9-3	GA044GM201 PLASTIC CASE LAB EL		2		
A06	821552-6	CONNECTOR PLASTIC CASE (TYP E4)		1		
C10	453974-8	LATCH		4		
A07	835E79-0	INNER TRAY		1		
A08	***DC40RA	DC40RA FAST CHARGER		1		
D10		COMPO-PARTS				
A09	191B26-6	BATTERY BL4040 SET		2		
A10	412393-7	BATTERY COVER		2		

Please state Parts No. when your order.

Print Date 10/26/2023