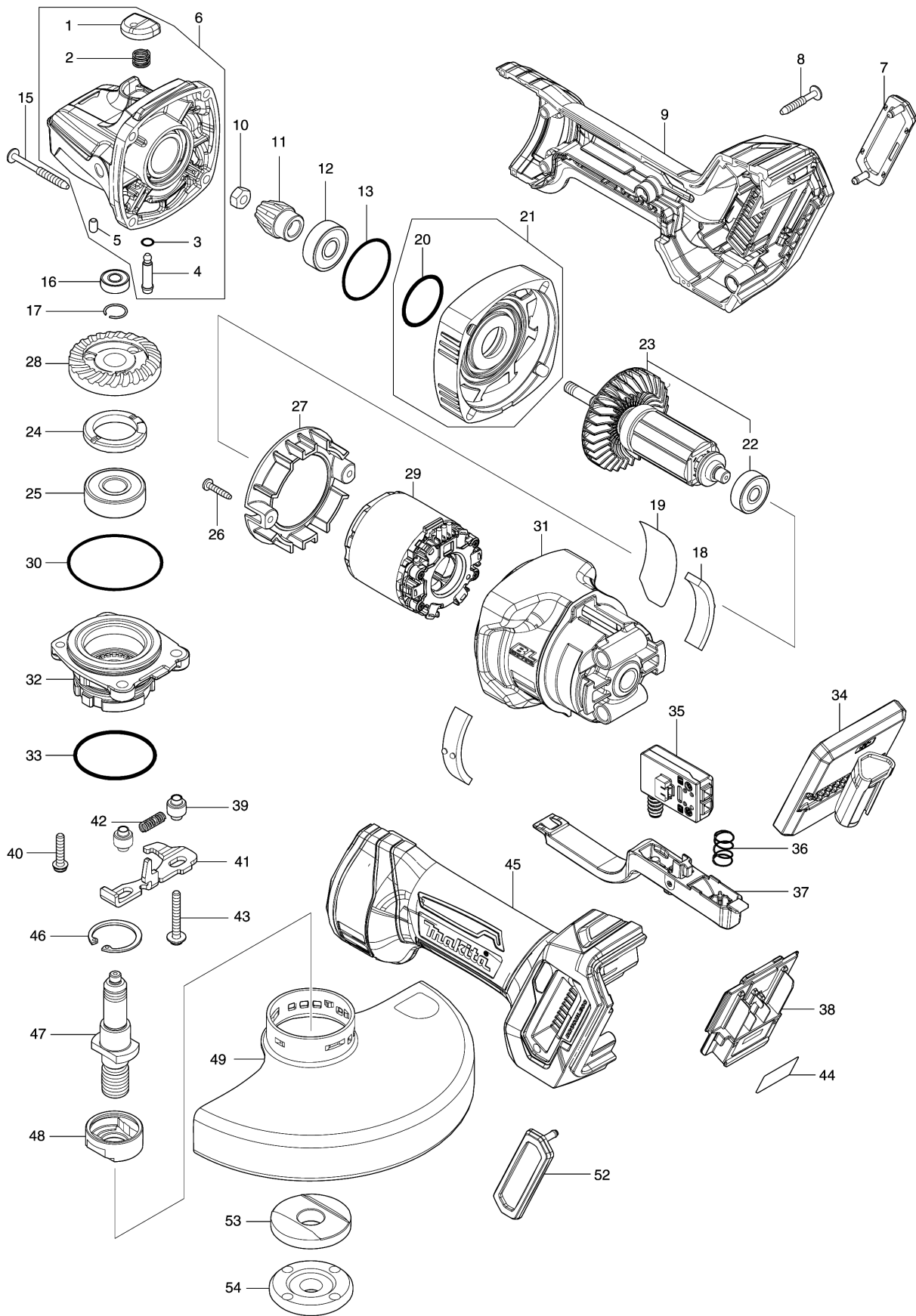


Model No.GA051G 150MM CORDLESS ANGLE GRINDER



Model No.GA051G 150MM CORDLESS ANGLE GRINDER

Item	Parts No.	Description	I/C	Qty	New/Old	Opt. 1	Opt. 2	Note
001	412234-7	PIN CAP		1				
002	233072-2	COMPRESSION SPRING 8		1				
003	213960-9	O RING 5		1				
004	256546-6	SHOULDER PIN 4		1				
005	263002-9	RUBBER PIN 4		1				
006	136986-3	GEAR HOUSING ASSEMBLY		1				
D10		INC. 1-5						
007	422A12-3	DUST COVER		1				
008	265999-8	TAPPING SCREW 4X25		5				
009	183Y56-9	HANDLE SET		1				
C10	263005-3	RUBBER PIN 6		2				
C20	422A11-5	CUSHION RING		4				
D10		INC. 7,45,52						
010	252186-8	HEX. NUT M6		1				
011	226976-5	SPIRAL BEVEL GEAR 10		1				
012	210042-8	BALL BEARING 629LLB		1				
013	213A32-6	O-RING 32		1				
015	266048-4	TAPPING SCREW 4X40		4				
016	210033-9	BALL BEARING 696ZZ		1				
017	233950-6	RING SPRING 11		1				
018	422A10-7	FRONT CUSHION		2				
019	8589N1-2	GA051G NAME PLATE		1				
020	213445-5	O-RING 26		1				
021	136989-7	GEAR HOUSING COVER ASS'Y		1				
D10		INC. 20						
022	210023-2	BALL BEARING 627DDW		1				
023	519810-9	ROTOR ASSEMBLY		1				
D10		INC. 22						
024	285039-6	BEARING RETAINER 23-33		1				
025	211137-0	BALL BEARING 6201LLU		1				
026	266429-2	TAPPING SCREW 3X16		2				
027	413P41-7	BAFFLE PLATE		1				
028	227A65-5	SPIRAL BEVEL GEAR 37		1				
029	629C11-0	STATOR		1				
030	213622-9	O RING 45		1				
031	1830B1-8	MOTOR HOUSING SET		1				
D10		INC. 18						
032	141N73-9	BEARING BOX COMPLETE		1				
033	213789-3	O-RING 38		1				
034	620L31-1	CONTROLLER		1				
035	651083-9	SWITCH C3XA-1PSPM		1				
036	233263-5	COMPRESSION SPRING 9		1				
037	141N71-3	SWITCH LEVER COMPLETE		1				
038	632P65-6	TERMINAL UNIT		1				
039	327322-6	SLEEVE 4		2				

Please order the parts with part number.

Print Date 26/10/2023

Model No.GA051G 150MM CORDLESS ANGLE GRINDER

Item	Parts No.	Description	I/C	Qty	New/Old	Opt. 1	Opt. 2	Note
040	911138-5	P.H.SCREW M4X20 WITH WR		2				
041	347803-4	LEVER		1				
042	232490-1	COMPRESSION SPRING 4		1				
043	911159-7	PAN HEAD SCREW M4X30		2				
044	8589N5-4	GA051G SERIAL NO.LABEL		1				
045	183Y56-9	HANDLE SET		1				
C10	263005-3	RUBBER PIN 6		2				
C20	422A11-5	CUSHION RING		4				
D10		INC. 7,9,52						
046	962105-3	RETAINING RING R-26		1				
047	326672-6	SPINDLE		1				
048	310514-4	LEAD FLANGE		1				
049	141P47-2	WHEEL COVER 150 COMPLETE		1				
C10	8050A1-8	CAUTION LABEL		1				
052	422A12-3	DUST COVER		1				
053	224447-6	INNER FLANGE 42B		1				
054	224485-8	LOCK NUT 14-45		1				
A01	A-80846	DEPRESSED CENTER WHEEL 150X36		1				
A02	191V56-7	CUTTING W.C.A. 150 SET		1				
A03	162258-0	VIBRATION PROOF GRIP		1				
A04	782423-1	LOCK NUT WRENCH 35		1				

Please order the parts with part number.

Print Date 26/10/2023