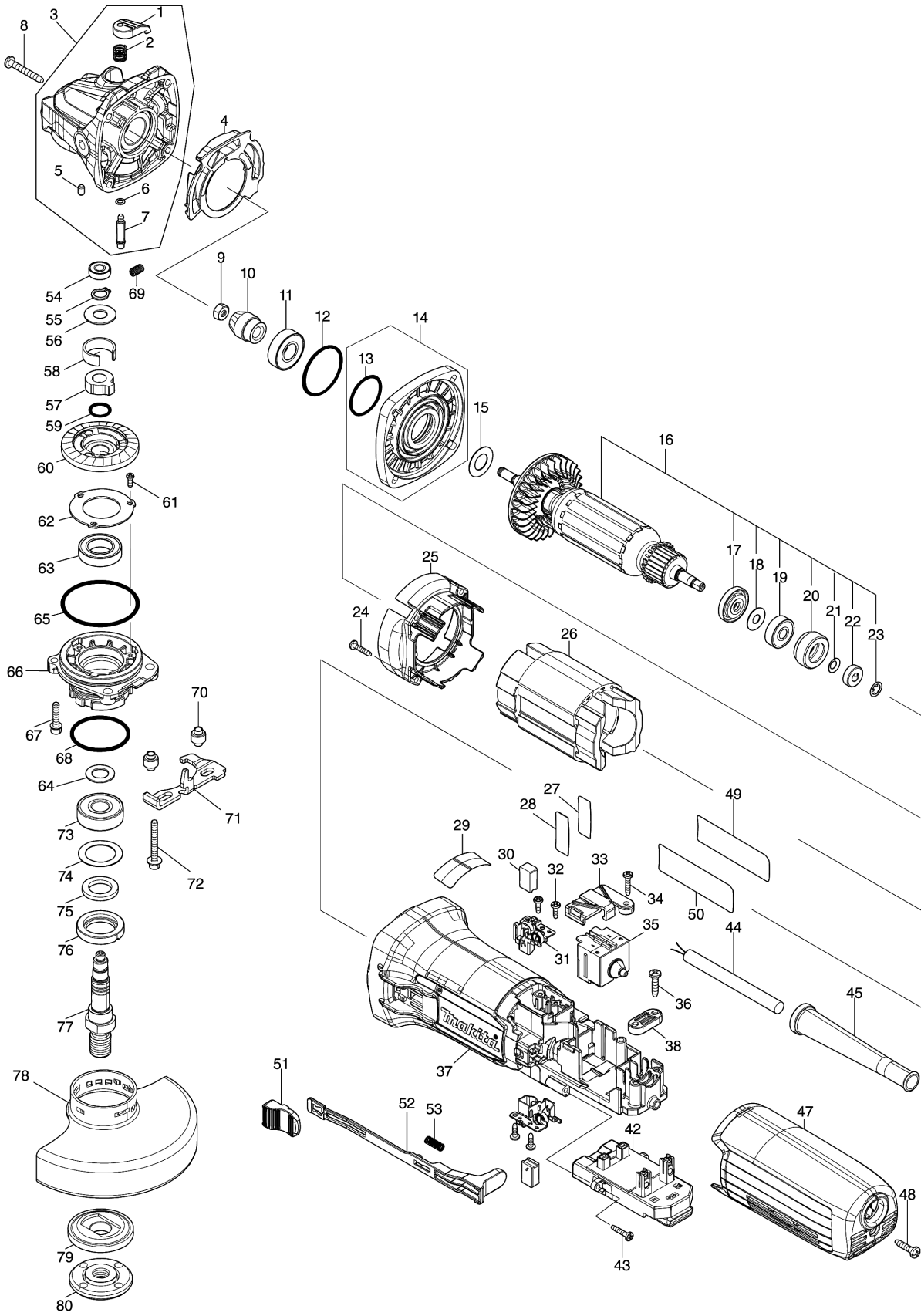


Model No.GA4592 115MM ANGLE GRINDER



Model No.GA4592 115MM ANGLE GRINDER

Item	Parts No.	Description	I/C	Qty	New/Old	Opt. 1	Opt. 2	Note
001	453369-5	PIN CAP		1				
002	234057-1	COMPRESSION SPRING 8		1				
003	136770-6	GEAR HOUSING ASS'Y		1				
D10		INC.1,2,5-7						
004	413C06-1	DIFFUSER		1				
005	263002-9	RUBBER PIN 4		1				
006	213032-0	O RING 4		1				
007	256535-1	SHOULDER PIN 6		1				
008	266361-0	TAPPING SCREW 4X30		4				
009	252186-8	HEX. NUT M6		1				
010	227916-6	SPIRAL BEVEL GEAR 11		1				
011	211131-2	BALL BEARING 6001DDW		1				
012	422812-5	RUBBER PLATE		1				
013	213693-6	O-RING 27.5		1				
014	136771-4	GEAR HOUSING COVER ASS'Y		1				
D10		INC. 13						
015	253084-9	FLAT WASHER 12		1				
016	511A49-6	ARMATURE ASS'Y 240V		1				
D10		INC. 17-23						
017	681656-4	INSULATION WASHER		1				
018	253823-7	FLAT WASHER 7		1				
019	210027-4	BALL BEARING 627DDW		1				
020	422811-7	LABYRINTH RUBBER RING 22		1				
021	267756-0	WAVE WASHER 6		1				
022	688117-5	MAGNET SLEEVE		1				
023	259039-2	SELF LOCK 6		1				
024	266429-2	TAPPING SCREW 3X16		4				
025	413C07-9	BAFFLE PLATE A		1				
026	621968-3	FIELD 220-240V		1				
027	807G78-4	CLEAR LABEL		1				
028	858N38-1	GA4592 SERIAL NO. LABEL		1				
029	898443-6	SJS2 MARK LABEL		1	*			
030	1910M3-7	CARBON BRUSH 264 SET		1				
031	644011-1	BRUSH HOLDER		2				
032	266007-8	TAPPING SCREW BIND PT 3X10		4				
033	413G29-3	SWITCH COVER		1				
034	266429-2	TAPPING SCREW 3X16		1				
035	650028-4	SWITCH FPC-2115T-0-02		1				
036	266326-2	TAPPING SCREW 4X18		2				
037	413C09-5	MOTOR HOUSING A		1				
038	687124-5	STRAIN RELIEF		1				
042	620H23-6	CONTROLLER		1				
043	266429-2	TAPPING SCREW 3X16		2				
044	665890-4	POWER SUPPLY CORD 1.0-2-4.0		1				

Please order the parts with part number.

Print Date 26/10/2023

Model No.GA4592 115MM ANGLE GRINDER

Item	Parts No.	Description	I/C	Qty	New/Old	Opt. 1	Opt. 2	Note
045	682117-7	CORD GUARD		1				
047	413C02-9	REAR COVER C		1				
048	266326-2	TAPPING SCREW 4X18		1				
049	8055D2-7	CLEAR LABEL		1	*			
050	858N36-5	GA4592 NAME PLATE		1				
051	413C10-0	SWITCH KNOB A		1				
052	413C03-7	SWITCH LEVER		1				
053	233121-5	COMPRESSION SPRING 4		1				
054	210026-6	BALL BEARING 696ZZ		1				
055	961006-2	RETAINING RING S-10		1				
056	253180-3	FLAT WASHER 10		1				
057	327918-3	JOINT SLEEVE		1				
058	347911-1	C TYPE PLATE		1				
059	213122-9	O RING 12		1				
060	227917-4	SPIRAL BEVEL GEAR 38		1				
061	265199-0	+ PAN HEAD SCREW M3X8		3				
062	285048-5	BEARING RETAINER 27-46		1				
063	210302-8	BALL BEARING 6903ZZ		1				
064	253744-3	FLAT WASHER 12		1				
065	213641-5	O RING 51		1				
066	312C10-6	BEARING BOX A		1				
067	266948-8	HEX S. H. BOLT M4X20 WITH WR		2				
068	213789-3	O-RING 38		1	*			
068-1	262211-7	RUBBER RING 37	<	1	*			
068-2	213789-3	O-RING 38	<	1				
069	232490-1	COMPRESSION SPRING 4		1				
070	327322-6	SLEEVE 4		2				
071	347909-8	LEVER A		1				
072	265C21-9	H.S.H.BOLT M4X35(WITH WG)		2				
073	211129-9	BALL BEARING 6201DDW		1				
074	267279-8	FLAT WASHER 21		1				
075	443124-3	FELT RING 17		1				
076	285854-8	BEARING RETAINER 20-33		1				
077	327916-7	SPINDLE		1				
078	141L53-3	WHEEL COVER 115 COMPLETE		1	*			
C10	8050A1-8	CAUTION LABEL		1	*			
078-1	141P44-8	WHEEL COVER 115 COMPLETE	<	1				
C10	8050A1-8	CAUTION LABEL		1				
079	224490-5	INNER FLANGE 14-45		1				
080	224485-8	LOCK NUT 14-45		1				
A01	A-80640	DEPRESSED CENTER WHEEL 115X36		1				
A02	199709-0	CUTTING W.C.A. 115 SET		1				
A03	162258-0	VIBRATION PROOF GRIP		1				
A04	782034-2	LOCK NUT WRENCH 35		1				

Please order the parts with part number.

Print Date 26/10/2023

Model No.GA4592 115MM ANGLE GRINDER

Item	Parts No.	Description	I/C	Qty	New/Old	Opt. 1	Opt. 2	Note
F02	191V72-9	DUST COVER ATTACHMENT SET		1				
F03	191W05-0	115/125MM DUST COVER SET		1				
C10	743129-6	BRUSH A		1				
C20	743130-1	BRUSH B		1				
F04	1910X5-0	GRIP 35 SET		1				
F05	1910X6-8	GRIP 35 SET		1				
F07	1910X9-2	WHEEL COVER 115C SET		1				
F09	192227-7	SUPER FLANGE		1				
F11	194514-0	VIBRATION PROOF GRIP SET		1				

Please order the parts with part number.

Print Date 26/10/2023