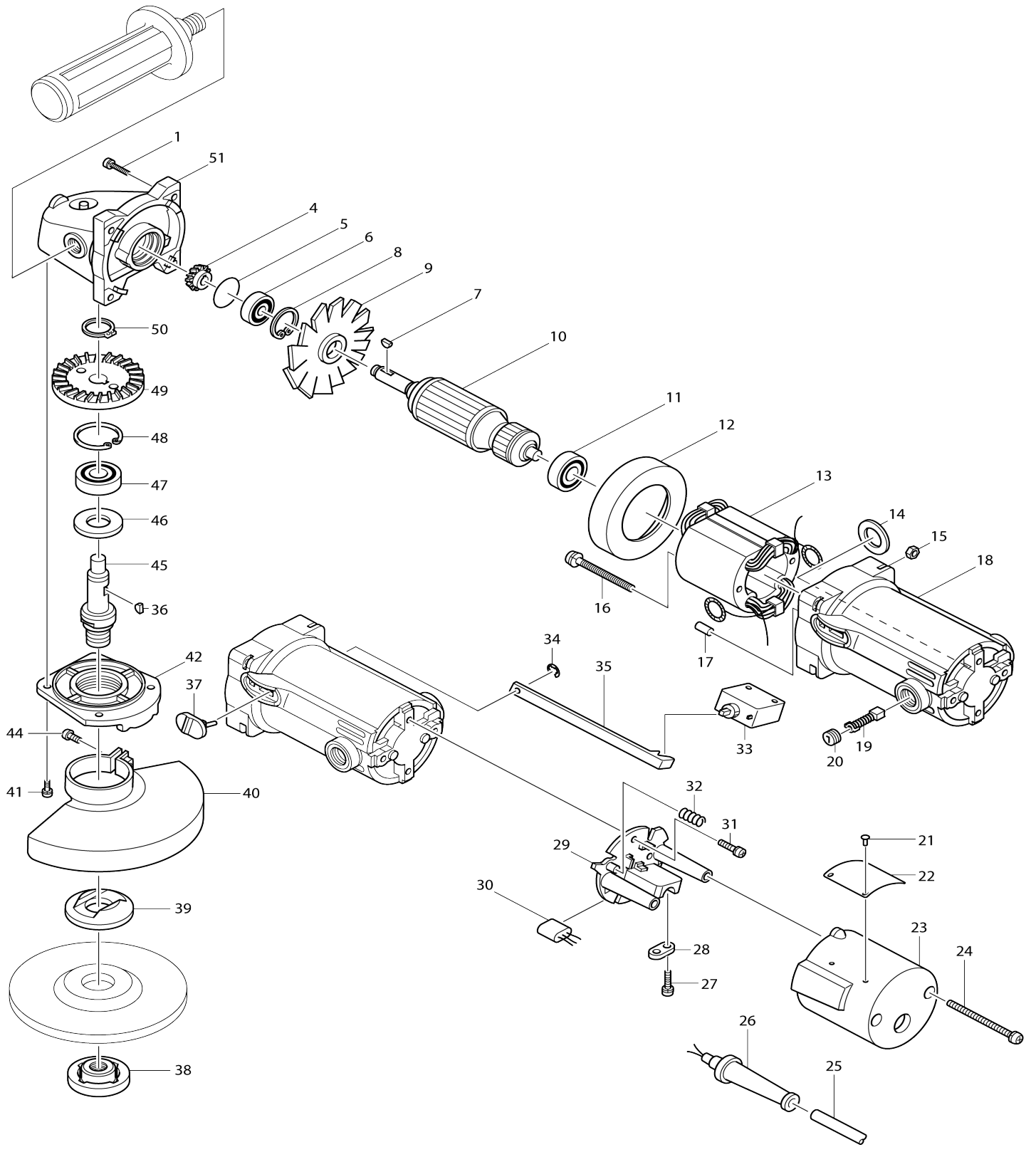


# Model No.GA5000 DISC GRINDER 125MM



Model No.GA5000 DISC GRINDER 125MM

Item No.	Parts No.	Description	Interchangability	Q'ty	New/Old	Note1	Note2
001	911146-6	PAN HEAD SCREW M4X25		4			
002	251835-4	CAP SCREW M12X12		1	*		
004	221354-4	SPIRAL BEVEL GEAR 13		1			
005	213407-3	O RING 26		1			
006	211063-3	BALL BEARING 6000LB		1			
007	254002-0	WOODRUFF KEY 3		1			
008	962105-3	RETAINING RING R-26		1			
009-1	241517-6	FAN 70		1			
010C_	515153-7	ARMATURE ASS'Y 220V		1			
011	211033-2	BALL BEARING 608LB		1			
012	410021-8	BAFFLE PLATE		1			
013E_	528129-5	FIELD ASS'Y 220V		1			
014	681001-3	INSULATION WASHER		2			
015	931102-0	HEX. NUT M4		4			
016-1	911200-6	PAN HEAD SCREW M4X70		2			
017	263002-9	RUBBER PIN 4		1			
018-1	156901-1	MOTOR HOUSING		1			
C10	643603-3	BRUSH HOLDER 6-10		2	*		
C11	643609-1	BRUSH HOLDER 6-10	O	2			
019B_	181030-1	CARBON BRUSH CB-100		1	*		
019B1	194974-6	CARBON BRUSH SET CB-100	O	1			
020	643600-9	BRUSH HOLDER CAP 6-10		2			
021	953106-2	RIVET 0-5		4			
022	854598-7	NAME PLATE GA5000		1			
023	411938-8	REAR COVER		1			
024	911293-3	PAN HEAD SCREW M5X70		2			
025A_	682502-4	CORD GUARD 8-85		1			
026Q_	665394-6	POWER SUPPLY CORD 1.0-2-2.5		1			
027-1	911123-8	PAN HEAD SCREW M4X14		2			
028B1	687031-2	STRAIN RELIEF		1			
029	411939-6	SWITCH HOLDER		1			
030F_	645253-0	NOISE SUPPRESSOR		1			
031	911123-8	PAN HEAD SCREW M4X14		2			
032	231223-1	COMPRESSION SPRING 6		1			
033-1	651476-0	SWITCH STE210K-1		1			
034	257903-1	STOP RING E-2.3		1			
035-1	410272-3	SWITCH ROD		1			
036	254002-0	WOODRUFF KEY 3		1			
037	411741-7	SWITCH LEVER		1			
038A4	224543-0	LOCK NUT 14-45		1	*		
038A5	224554-5	LOCK NUT 14-45	O	1			
039A6	224298-7	INNER FLANGE 42		1	*		
039A7	224415-9	INNER FLANGE 42	<	1			
040A1	134440-1	WHEEL COVER 125 ASS'Y		1			
D10		INC. 44					
041	911126-2	PAN HEAD SCREW M4X16		4			
042	315397-7	BEARING BOX		1			

043	942101-7	SPRING WASHER 5		1		
044	251259-4	+ PAN HEAD SCREW M5X16		1		
045C2	321341-4	SPINDLE		1		
046	253055-6	FLAT WASHER 12		1		
047	211108-7	BALL BEARING 6201LB		1		
048	962151-6	RETAINING RING R-32		1		
049	221355-2	SPIRAL BEVEL GEAR 40		1		
050	961052-5	RETAINING RING (EXT) S-12		1		
051	156902-9	GEAR HOUSING		1		
C10	212005-0	NEEDLE BEARING 810		1		
C21	231464-9	COMPRESSION SPRING 5		1		
C30	256616-1	PIN 5		1		
C40	343312-1	CUP		1		
401-2	152492-0	GRIP 36 COMPLETE		1		
402A_	782407-9	LOCK NUT WRENCH 35		1		
F19	192227-7	SUPER FLANGE		1		

Please state Parts No. when your order.

Print Date 20.10.2023