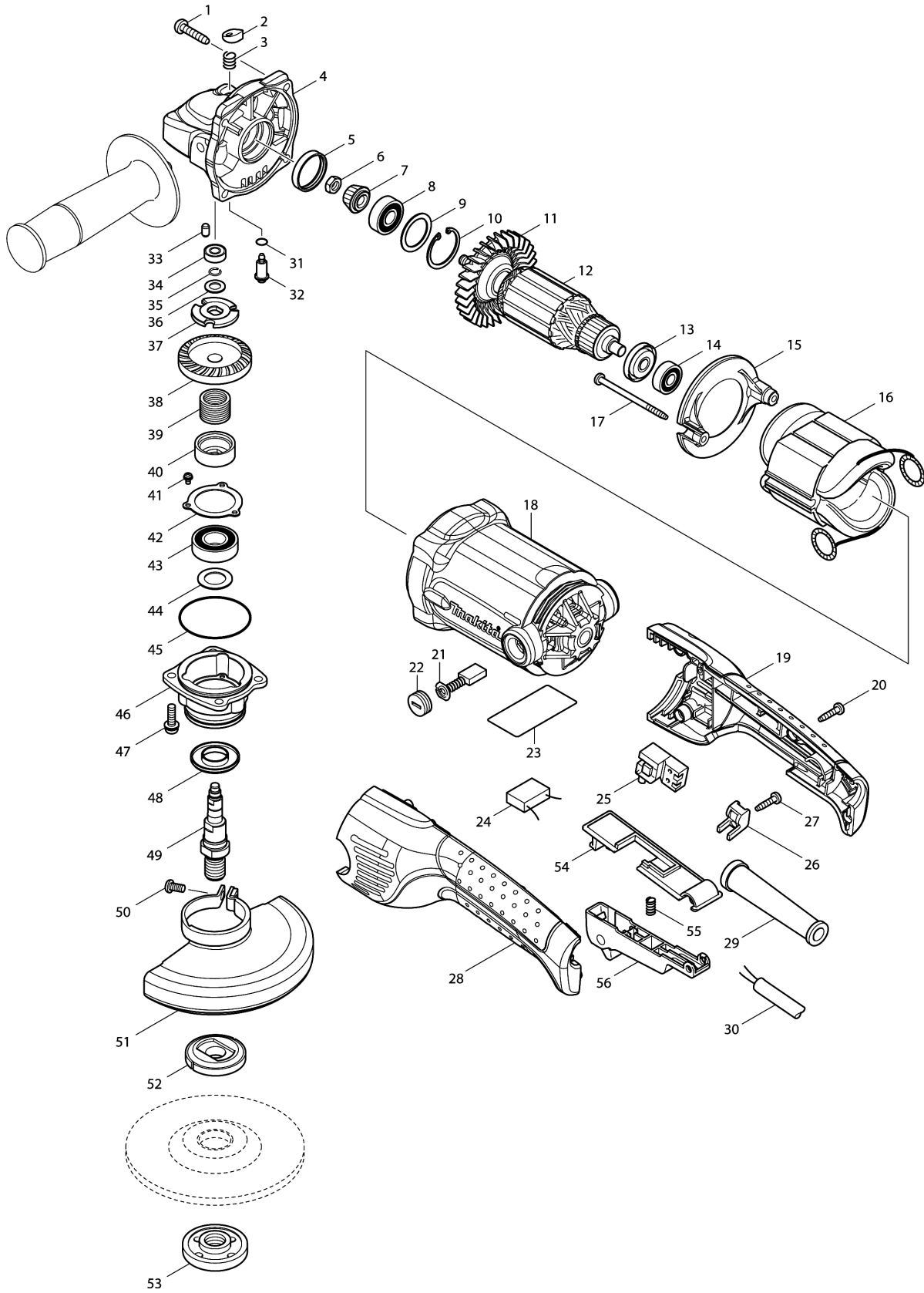


Model No.GA5021 ANGLE GRINDER 125MM



Model No.GA5021 ANGLE GRINDER 125MM

| Item | Parts No. | Description | I/C | Qty | New/Old | Opt. 1 | Opt. 2 | Note |
|-------|-----------|-----------------------------|-----|-----|---------|--------|--------|------|
| 001 | 266041-8 | TAPPING SCREW 5X25 | | 4 | * | | | |
| 001-1 | 266459-3 | TAPPING SCREW 5X25 | O | 4 | | | | |
| 002 | 417771-6 | PIN CAP | | 1 | | | | |
| 003 | 234057-1 | COMPRESSION SPRING 8 | | 1 | | | | |
| 004 | 318158-4 | GEAR HOUSING | | 1 | | | | |
| 005 | 262132-3 | RUBBER RING 27 | | 1 | | | | |
| 006 | 264010-3 | HEX.NUT M7 | | 1 | | | | |
| 007 | 227517-0 | SPIRAL BEVEL GEAR 13 | | 1 | | | | |
| 008 | 211088-7 | BALL BEARING 6000DDW | | 1 | * | | | |
| 008-1 | 210059-1 | BALL BEARING 6000DDW | < | 1 | | | | |
| 009 | 267352-4 | FLAT WASHER 22 | | 1 | | | | |
| 010 | 962107-9 | RETAINING RING (INT) R-30 | | 1 | | | | |
| 011 | 240094-5 | FAN 70 | | 1 | | | | |
| 012 | 513704-0 | ARMATURE ASS'Y 240V | | 1 | * | | | |
| D10 | | INC. 11,13,14 | | | * | | | |
| 012-1 | 510132-0 | ARMATURE ASS'Y 240V | O | 1 | | | | |
| D10 | | INC. 11,13,14 | | | | | | |
| 013 | 681644-1 | INSULATION WASHER | | 1 | | | | |
| 014 | 210005-4 | BALL BEARING 608DDW | | 1 | | | | |
| 015 | 419961-7 | BAFFLE PLATE | | 1 | | | | |
| 016 | 525803-6 | FIELD ASS'Y 220-240V | | 1 | | | | |
| C10 | 654020-2 | RING TERMINAL | | 2 | | | | |
| C20 | 654555-3 | CONNECTOR 34130 | | 2 | | | | |
| 017 | 266340-8 | TAPPING SCREW 4X65 | | 2 | | | | |
| 018 | 158278-0 | MOTOR HOUSING COMPLETE | | 1 | | | | |
| C10 | 643708-9 | BRUSH HOLDER 5-11 | | 2 | | | | |
| 019 | 188462-3 | HANDLE SET | | 1 | | | | |
| D10 | | INC. 28 | | | | | | |
| 020 | 266326-2 | TAPPING SCREW 4X18 | | 4 | * | | | |
| 020-1 | 265A48-7 | TAPPING SCREW 4X18 | O | 4 | | | | |
| 021 | 191963-2 | CARBON BRUSH CB-303 | | 1 | | | | |
| 022 | 643750-0 | BRUSH HOLDER CAP 7-11 | | 2 | | | | |
| 023 | 864611-3 | GA5021 NAME PLATE | | 1 | | | | |
| 024 | 645200-1 | NOISE SUPPRESSOR | | 1 | | | | |
| 025 | 651922-3 | SWITCH TG71B | | 1 | * | | | |
| 025-1 | 650677-7 | SWITCH C3PA-1112 | < | 1 | * | | | |
| 025-2 | 651922-3 | SWITCH TG71B | < | 1 | | | | |
| 026 | 687260-7 | STRAIN RELIEF | | 1 | | | | |
| 027 | 266326-2 | TAPPING SCREW 4X18 | | 1 | * | | | |
| 027-1 | 265A48-7 | TAPPING SCREW 4X18 | O | 1 | | | | |
| 028 | 188462-3 | HANDLE SET | | 1 | | | | |
| D10 | | INC. 19 | | | | | | |
| 029 | 682505-8 | CORD GUARD 10-90 | | 1 | | | | |
| 030 | 665865-3 | POWER SUPPLY CORD 1.0-2-2.5 | | 1 | | | | |
| 031 | 213977-2 | O RING 7 | | 1 | | | | |

Please order the parts with part number.

Print Date 6/11/2023

Model No.GA5021 ANGLE GRINDER 125MM

| Item | Parts No. | Description | I/C | Qty | New/Old | Opt. 1 | Opt. 2 | Note |
|-------|-----------|----------------------------|-----|-----|---------|--------|--------|------|
| 032 | 256505-0 | SHOULDER PIN 5 | | 1 | | | | |
| 033 | 263002-9 | RUBBER PIN 4 | | 1 | | | | |
| 034 | 210006-2 | BALL BEARING 696ZZ | | 1 | | | | |
| 035 | 233926-3 | RING SPRING 7 | | 1 | | | | |
| 036 | 253835-0 | FLAT WASHER 8 | | 1 | | | | |
| 037 | 267811-8 | LOCK WASHER | | 1 | | | | |
| 038 | 227519-6 | SPIRAL BEVEL GEAR 34B | | 1 | | | | |
| 039 | 233957-2 | LOCK SPRING 16 | | 1 | * | | | |
| 039-1 | 234356-1 | LOCK SPRING 16 | < | 1 | | | | |
| 040 | 324833-2 | LOCK SLEEVE | | 1 | | | | |
| 041 | 911003-8 | PAN HEAD SCREW M3X6 | | 3 | | | | |
| 042 | 285728-3 | BEARING RETAINER 39 | | 1 | | | | |
| 043 | 211236-8 | BALL BEARING 6002DDW | | 1 | | | | |
| 044 | 253853-8 | FLAT WASHER 15 | | 1 | | | | |
| 045 | 213624-5 | O RING 48 | | 1 | | | | |
| 046 | 318160-7 | BEARING BOX | | 1 | * | | | |
| 046-1 | 318299-6 | BEARING BOX | < | 1 | * | | | |
| 046-2 | 318332-4 | BEARING BOX | S | 1 | | | | |
| 047 | 265131-4 | PAN HEAD SCREW M5X18 | | 4 | | | | |
| 048 | 345464-4 | LABYRINTH RING | | 1 | | | | |
| 049 | 324789-9 | SPINDLE | | 1 | | | | |
| 050 | 265180-1 | PAN HEAD SCREW M5X16 | | 1 | | | | |
| 051 | 135187-0 | WHEEL COVER 125 ASSY | | 1 | * | | | |
| D10 | | INC. 50 | | | * | | | |
| 051-1 | 135202-0 | WHEEL COVER 125K ASSY | < | 1 | * | | | |
| D10 | | INC. 50 | | | * | | | |
| 051-2 | 135240-2 | WHEEL COVER ASS'Y | S | 1 | * | | | |
| D10 | | INC. 50 | | | * | | | |
| 051-3 | 122887-1 | WHEEL COVER 125K ASSY | < | 1 | * | | | |
| C10 | 213009-5 | O RING 4 | | 1 | * | | | |
| D10 | | INC. 50 | | | * | | | |
| 051-4 | 123099-9 | WHEEL COVER 125AK ASSEMBLY | < | 1 | * | | | |
| C10 | 213009-5 | O RING 4 | | 1 | * | | | |
| D10 | | INC. 50 | | | * | | | |
| 051-5 | 141P28-6 | WHEEL COVER 125AK COMPLETE | < | 1 | | | | |
| C10 | 213009-5 | O RING 4 | | 1 | | | | |
| C20 | 8050A1-8 | CAUTION LABEL | | 1 | | | | |
| D10 | | INC. 50 | | | | | | |
| 052 | 224415-9 | INNER FLANGE 42 | | 1 | | | | |
| 053 | 224554-5 | LOCK NUT 14-45 | | 1 | | | | |
| 054 | 418519-9 | SWITCH BASE | | 1 | | | | |
| 055 | 233117-6 | COMPRESSION SPRING 6 | | 1 | | | | |
| 056 | 158401-7 | SWITCH LEVER A COMPLETE | | 1 | * | | | |
| 056-1 | 158402-5 | SWITCH LEVER B COMPLETE | < | 1 | | | | |

Please order the parts with part number.

Print Date 6/11/2023

Model No.GA5021 ANGLE GRINDER 125MM

| Item | Parts No. | Description | I/C | Qty | New/Old | Opt. 1 | Opt. 2 | Note |
|-------|-----------|----------------------------|-----|-----|---------|--------|--------|------|
| 057 | 819282-1 | CLEAR LABEL | | 1 | | | | |
| A01 | 153504-2 | GRIP 36 COMPLETE | | 1 | | | | |
| A02 | 782423-1 | LOCK NUT WRENCH 35 | | 1 | | | | |
| A05 | 199710-5 | CUTTING W.C.A. 125 SET | | 1 | | | | |
| F05 | 192227-7 | SUPER FLANGE | | 1 | | | | |
| F27 | 194483-5 | LOOP HANDLE SET | | 1 | | | | |
| F28 | 194514-0 | VIBRATION PROOF GRIP SET | | 1 | | | | |
| F29 | 193956-5 | DUST COVER ATTACHMENT | | 1 | | | | |
| F31-1 | 195239-9 | 115/125MM DUST COVER K SET | < | 1 | * | | | |
| F38 | 191W06-8 | 115/125MM DUST COVER K SET | | 1 | | | | |
| C10 | 743129-6 | BRUSH A | | 1 | | | | |
| C20 | 743130-1 | BRUSH B | | 1 | | | | |

Please order the parts with part number.

Print Date 6/11/2023