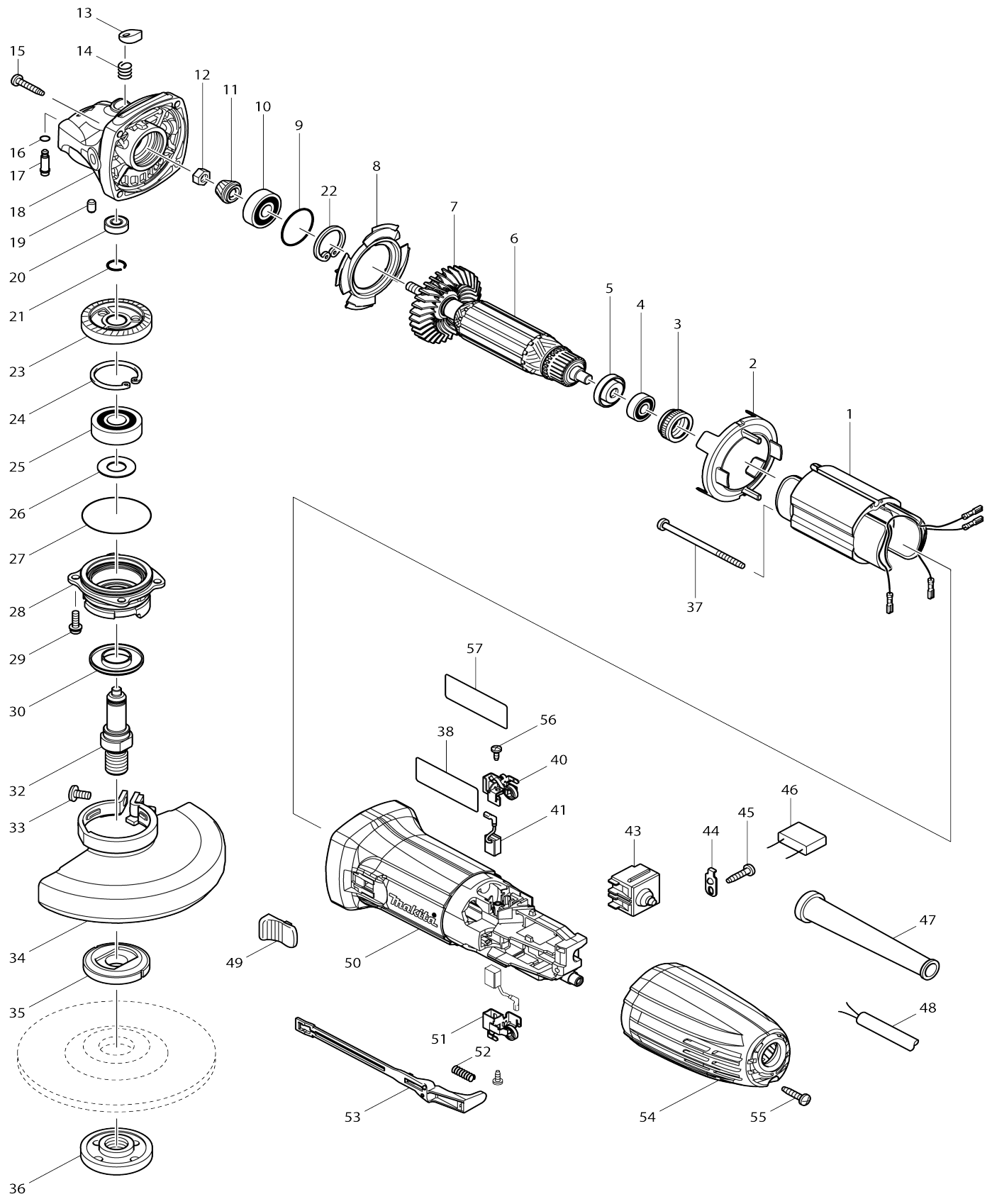


Model No.GA5030 125MM ANGLE GRINDER



Model No.GA5030 125MM ANGLE GRINDER

Item No.	Parts No.	Description	Interchangability	Q'ty	New/Old	Note1	Note2
001	623533-4	FIELD 220-240V		1	*		
001-1	635113-4	FIELD 220-240V	O	1			
002	450796-7	BAFFLE PLATE		1			
003	421868-5	LABYRINTH RUBBER RING 19		1	*		
003-1	422768-2	LABYRINTH RUBBER RING19	<	1			
004	210034-7	BALL BEARING 607LLB		1			
005	681636-0	INSULATION WASHER		1			
006	517649-4	ARMATURE ASS'Y 240V		1			
D10		INC. 4,5,7					
007	240107-2	FAN 56		1	*		
007-1	240139-9	FAN 56	O	1			
008	413126-3	GUIDE PLATE		1			
009	213445-5	O-RING 26		1	*		
009-1	213407-3	O RING 26	O	1			
010	211092-6	BALL BEARING 629DDW		1			
011	227545-5	SPIRAL BEVEL GEAR 10		1	*		
011-1	227545-5	SPIRAL BEVEL GEAR 10	S	1			
012	252186-8	HEX. NUT M6		1			
013	417771-6	PIN CAP		1			
014	234057-1	COMPRESSION SPRING 8		1			
015	266324-6	TAPPING SCREW 4X22		4	*		
015-1	265B46-7	TAPPING SCREW 4X22	O	4			
016	213960-9	O RING 5		1	*		
016-1	213032-0	O RING 4	<	1			
017	256510-7	SHOULDER PIN 4		1			
018	318335-8	GEAR HOUSING		1			
019	263002-9	RUBBER PIN 4		1			
020	210033-9	BALL BEARING 696ZZ		1			
021	233950-6	RING SPRING 11		1			
022	962105-3	RETAINING RING R-26		1			
023	227546-3	SPIRAL BEVEL GEAR 37		1	*		
023-1	227546-3	SPIRAL BEVEL GEAR 37	S	1			
024	962151-6	RETAINING RING R-32		1			
025	211129-9	BALL BEARING 6201DDW		1			
026	267113-2	FLAT WASHER 12		1	*		
026-1	267238-2	FLAT WASHER 12	O	1			
027	213561-3	O RING 42		1			
028	318336-6	BEARING BOX		1			
029	265099-4	PAN HEAD SCREW M4X14		4			
030	345464-4	LABYRINTH RING		1			
032	324954-0	SPINDLE		1			
033	265180-1	PAN HEAD SCREW M5X16		1			
034	135240-2	WHEEL COVER ASS'Y		1	*		
D10		INC. 33					
034-1	122887-1	WHEEL COVER 125K ASSY	<	1	*		
C10	213009-5	O RING 4		1	*		
D10		INC. 33					

034-2	123099-9	WHEEL COVER 125AK ASSEMBLY	<	1			
C10	213009-5	O RING 4		1			
D10		INC. 33					
035	224415-9	INNER FLANGE 42		1			
036	224554-5	LOCK NUT 14-45		1			
037	266325-4	TAPPING SCREW 4X70		2	*		
037-1	265D34-6	TAPPING SCREW 4X70	O	2			
038	866062-6	GA5030 NAME PLATE		1			
040	643839-4	BRUSH HOLDER 6X9		1			
041	194722-3	CARBON BRUSH CB-459		1	*		
041-1	195026-6	CARBON BRUSH SET CB-459	O	1			
043	650560-8	SWITCH DPX-2110-R		1			
044	687681-3	STRAIN RELIEF		1			
045	266326-2	TAPPING SCREW 4X18		1	*		
045-1	265B67-9	TAPPING SCREW 4X18	O	1			
046	645200-1	NOISE SUPPRESSOR		1	*		
046-1	638739-1	CAPACITOR UNIT	S	1	*		
046-2	638739-1	CAPACITOR UNIT	O	1			
047	682559-5	CORD GUARD 8		1			
048	665394-6	POWER SUPPLY CORD 1.0-2-2.5		1			
049	419566-3	SWITCH KNOB		1			
050	450795-9	MOTOR HOUSING		1	*		
050-1	451128-1	MOTOR HOUSING	<	1			
051	643839-4	BRUSH HOLDER 6X9		1			
052	233121-5	COMPRESSION SPRING 4		1			
053	450797-5	SWITCH LEVER		1			
054	450794-1	REAR COVER		1	*		
054-1	456381-4	REAR COVER	O	1	*		
054-2	413A35-2	REAR COVER	<	1			
055	266326-2	TAPPING SCREW 4X18		1	*		
055-1	265B67-9	TAPPING SCREW 4X18	O	1			
056	265954-0	TAPPING SCREW BIND PT3X8		2	*		
056-1	266492-5	TAPPING SCREW 3X8	O	2	*		
056-2	265D33-8	TAPPING SCREW 3X8	O	2			
057	819327-5	CLEAR LABEL		1	*		
057-1	891976-0	CLEAR LABEL		1	*		
057-2	806E99-1	CLEAR LABEL	O	1	*		
A01	153504-2	GRIP 36 COMPLETE		1	*		
A01-1	153489-2	GRIP 36 COMPLETE	O	1			
A02	782423-1	LOCK NUT WRENCH 35		1			
A06	A-80656	GRINDING WHEEL 125 WA36N		1	*		
A06-1	A-80933	GRINDING WHEEL 125X6X22(A36 P)	O	1			
E01	808153-7	SAFETY INSTRUCTION LABEL		1			
F01-1	194514-0	VIBRATION PROOF GRIP SET	O	1			
F03	192227-7	SUPER FLANGE		1			
A03	823294-8	ALUMINUM CASE		1			
A04	P-45761	DIAMOND WHEEL 125MM		1			
A05	122911-0	WHEEL COVER 125CK ASSEMBLY		1	*		
C10	265180-1	PAN HEAD SCREW M5X16		1	*		
C20	213009-5	O RING 4		1	*		
A03	821550-0	CONNECTOR PLASTIC CASE (TYP		1			

		E2)					
C10	453974-8	LATCH		4			
A07	837920-3	INNER TRAY		1			
A08	802J13-5	GA5030JSP1 INDICATION LABEL		1			
A09	802J14-3	GA5030JSP1 PLASTIC CASE LABEL		2			

Please state Parts No. when your order.

Print Date 20.10.2023