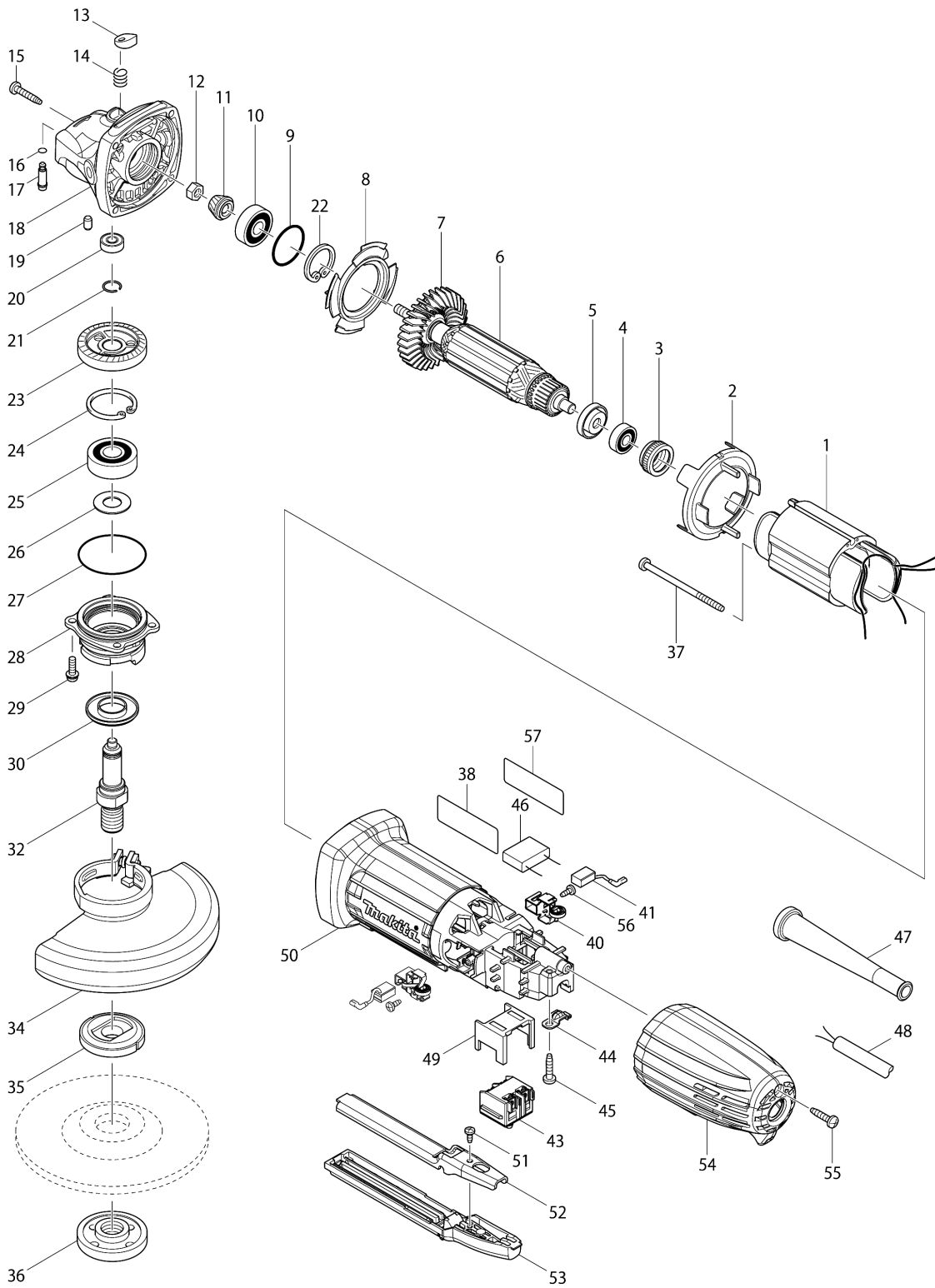


Model No.GA5034 125MM ANGLE GRINDER



Model No.GA5034 125MM ANGLE GRINDER

Item	Parts No.	Description	I/C	Qty	New/Old	Opt. 1	Opt. 2	Note
001	623533-4	FIELD 220-240V		1	*			
001-1	635113-4	FIELD 220-240V	O	1				
002	450796-7	BAFFLE PLATE		1				
003	421868-5	LABYRINTH RUBBER RING 19		1	*			
003-1	422768-2	LABYRINTH RUBBER RING19	<	1				
004	210034-7	BALL BEARING 607LLB		1				
005	681636-0	INSULATION WASHER		1				
006	517649-4	ARMATURE ASS'Y 240V		1				
D10		INC. 4,5,7						
007	240107-2	FAN 56		1	*			
007-1	240139-9	FAN 56	O	1				
008	413126-3	GUIDE PLATE		1				
009	213445-5	O-RING 26		1				
010	211092-6	BALL BEARING 629DDW		1				
011	227545-5	SPIRAL BEVEL GEAR 10		1	*			
011-1	227545-5	SPIRAL BEVEL GEAR 10	S	1				
012	252186-8	HEX. NUT M6		1				
013	417771-6	PIN CAP		1				
014	234057-1	COMPRESSION SPRING 8		1				
015	266324-6	TAPPING SCREW 4X22		4				
016	213032-0	O RING 4		1				
017	256510-7	SHOULDER PIN 4		1				
018	318335-8	GEAR HOUSING		1				
019	263002-9	RUBBER PIN 4		1				
020	210033-9	BALL BEARING 696ZZ		1				
021	233950-6	RING SPRING 11		1				
022	962105-3	RETAINING RING R-26		1				
023	227546-3	SPIRAL BEVEL GEAR 37		1	*			
023-1	227546-3	SPIRAL BEVEL GEAR 37	S	1				
024	962151-6	RETAINING RING R-32		1				
025	211129-9	BALL BEARING 6201DDW		1				
026	267113-2	FLAT WASHER 12		1	*			
026-1	267238-2	FLAT WASHER 12	O	1				
027	213561-3	O RING 42		1				
028	318336-6	BEARING BOX		1				
029	265099-4	PAN HEAD SCREW M4X14		4				
030	345464-4	LABYRINTH RING		1				
032	324954-0	SPINDLE		1				
034	122887-1	WHEEL COVER 125K ASSY		1	*			
C10	213009-5	O RING 4		1	*			
C20	265180-1	PAN HEAD SCREW M5X16		1	*			
034-1	123099-9	WHEEL COVER 125AK ASSEMBLY	<	1				
C10	213009-5	O RING 4		1				
C20	265180-1	PAN HEAD SCREW M5X16		1				
035	224415-9	INNER FLANGE 42		1	*			

Please order the parts with part number.

Print Date 19/2/2024

Model No.GA5034 125MM ANGLE GRINDER

Item	Parts No.	Description	I/C	Qty	New/Old	Opt. 1	Opt. 2	Note
035-1	224490-5	INNER FLANGE 14-45	O	1				
036	224554-5	LOCK NUT 14-45		1				
037	266325-4	TAPPING SCREW 4X70		2				
038	867627-7	GA5034 NAME PLATE		1				
040	643839-4	BRUSH HOLDER 6X9		2				
041	194722-3	CARBON BRUSH CB-459		1	*			
041-1	195026-6	CARBON BRUSH SET CB-459	O	1				
043	650621-4	SWITCH PS10		1				
044	687681-3	STRAIN RELIEF		1				
045	266326-2	TAPPING SCREW 4X18		1				
046	645200-1	NOISE SUPPRESSOR		1				
047	682559-5	CORD GUARD 8		1				
048	665394-6	POWER SUPPLY CORD 1.0-2-2.5		1				
049	418729-8	SPACER		1				
050	451650-8	MOTOR HOUSING		1				
051	266492-5	TAPPING SCREW 3X8		1				
052	346219-0	PLATE		1				
053	140333-2	SWITCH LEVER A COMPLETE		1				
054	451651-6	REAR COVER		1	*			
054-1	413A36-0	REAR COVER	<	1				
055	266326-2	TAPPING SCREW 4X18		1				
056	266492-5	TAPPING SCREW 3X8		2				
057	819327-5	CLEAR LABEL		1	*			
057-1	891976-0	CLEAR LABEL	<	1				
A01	153504-2	GRIP 36 COMPLETE		1				
A02	782423-1	LOCK NUT WRENCH 35		1				
A03	A-80656	GRINDING WHEEL 125 WA36N		1				
E01	808153-7	SAFETY INSTRUCTION LABEL		1				
F01-1	194514-0	VIBRATION PROOF GRIP SET	O	1				
F03	192227-7	SUPER FLANGE		1				

Please order the parts with part number.

Print Date 19/2/2024