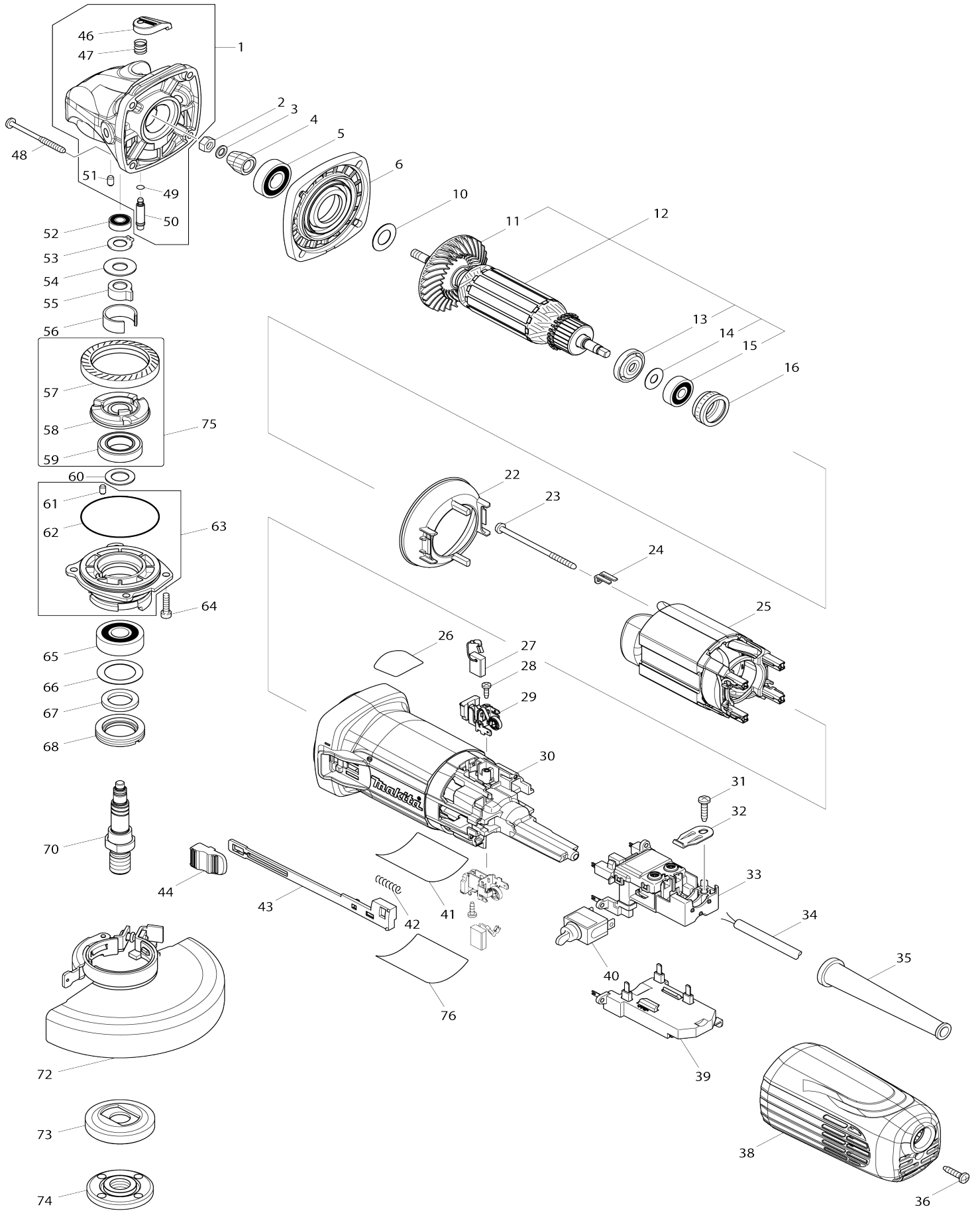


Model No.GA5040R 125MM ANGLE GRINDER



Model No.GA5040R 125MM ANGLE GRINDER

Item No.	Parts No.	Description	Interchangability	Q'ty	New/Old	Note1	Note2
F01	199140-0	GUIDE RAIL 1000 SET		1			
F02	199141-8	GUIDE RAIL 1500 SET		1			
F03	194368-5	GUIDE RAIL 1400 SET		1			
F04	194925-9	GUIDE RAIL 1900 SET		1			
F05	194367-7	GUIDE RAIL 3000 SET		1			
F06	194416-0	SHEET 10000 SET		1			
F07	194417-8	RUBBER SHEET 10000 SET		1			
F08	194418-6	POSITION SHEET 1400 SET		1			
F09	194910-2	POSITION SHEET 1900 SET		1			
001-1	319310-7	GEAR HOUSING		1	*		
001-2	136013-6	GEAR HOUSING ASS'Y	<	1			
D10		INC. 46,47,49-51					
002	252186-8	HEX. NUT M6		1			
003	253077-6	FLAT WASHER 6		1			
004	227591-8	SPIRAL BEVEL GEAR 10		1			
005	211142-7	BALL BEARING 6001LLB		1			
006	141981-0	GEAR HOUSING COVER COMPLETE		1			
010	253084-9	FLAT WASHER 12		1			
011	240134-9	FAN 60		1			
012	515364-4	ARMATURE ASS'Y 240V		1			
D10		INC. 11,13-15					
013	681656-4	INSULATION WASHER		1			
014	253823-7	FLAT WASHER 7		1			
015	210027-4	BALL BEARING 627DDW		1			
016	421738-8	LABYRINTH RUBBER RING 22		1	*		
016-1	422750-1	LABYRINTH RUBBER RING 22	<	1			
022	453367-9	BUFFLE PLATE		1			
023	266258-3	TAPPING SCREW 4X70		2			
024	344871-8	RETAINER		2			
025	626649-4	FIELD 240V		1			
026	898443-6	SJS2 MARK LABEL		1	*		
027	194074-2	CARBON BRUSH CB-325		1			
028	266007-8	TAPPING SCREW BIND PT 3X10		2			
029	643770-4	BRUSH HOLDER		2			
030	453366-1	MOTOR HOUSING		1			
031	266326-2	TAPPING SCREW 4X18		1	*		
031-1	265B67-9	TAPPING SCREW 4X18	O	1			
032	687169-3	STRAIN RELIEF		1			
033	638947-4	SWITCH BLOCK		1	*		
033-1	632K98-1	SWITCH BLOCK	<	1			
034	695034-2	POWER SUPPLY CORD 1.0-2-4.0		1			
035	682559-5	CORD GUARD 8		1			
036	266326-2	TAPPING SCREW 4X18		1	*		
036-1	265B67-9	TAPPING SCREW 4X18	O	1			
038	453365-3	REAR COVER C		1			
039	620343-0	CONTROLLER		1	*		
039-1	620786-6	CONTROLLER	<	1	*		

039-2	620G06-0	CONTROLLER	<	1		
040	651418-4	SWITCH ST115A-40		1	*	
040-1	651418-4	SWITCH ST115A-40	O	1		
041	850M69-0	GA5040R NAME PLATE		1		
042	233071-4	COMPRESSION SPRING 4		1		
043	453847-5	SWITCH LEVER		1		
044	453368-7	SWITCH KNOB		1		
046	453369-5	PIN CAP		1		
047	234057-1	COMPRESSION SPRING 8		1		
048	266361-0	TAPPING SCREW 4X30		4	*	
048-1	265B70-0	TAPPING SCREW 4X30	O	4		
049	213032-0	O RING 4		1		
050	256535-1	SHOULDER PIN 6		1		
051	263002-9	RUBBER PIN 4		1		
052	210006-2	BALL BEARING 696ZZ		1		
053	961005-4	RETAINING RING S-9		1		
054	253180-3	FLAT WASHER 10		1		
055-1	310683-1	JOINT SLEEVE		1		
056	346556-2	C TYPE PLATE		1		
057	227592-6	SPIRAL BEVEL GEAR 38		1		
058	313228-4	COUPLING		1		
059	210302-8	BALL BEARING 6903ZZ		1		
060	253744-3	FLAT WASHER 12		1		
061	263002-9	RUBBER PIN 4		1		
062	213641-5	O RING 51		1		
063	318837-4	BEARING BOX		1	*	
063-1	136012-8	BEARING BOX ASSEMBLY	<	1		
D10		INC. 61.62				
064	265490-6	HEX. SOCKET HEAD BOLT M4X16		4		
065	211129-9	BALL BEARING 6201DDW		1		
066	267279-8	FLAT WASHER 21		1		
067	443124-3	FELT RING 17		1		
068	285854-8	BEARING RETAINER 20-33		1		
070	326130-2	SPINDLE		1		
072	123145-8	TOOLLESS WHEELCOVER 125AK ASSY		1	*	
C10	213009-5	O RING 4		1	*	
C20	265180-1	PAN HEAD SCREW M5X16		1	*	
072-1	141P36-7	TOOLLESS WHEEL COVER 125AK CMP	<	1	*	
C10	213009-5	O RING 4		1	*	
C20	265180-1	PAN HEAD SCREW M5X16		1	*	
C30	8050A1-8	CAUTION LABEL		1	*	
072-2	123145-8	TOOLLESS WHEELCOVER 125AK ASSY	<	1		
C10	213009-5	O RING 4		1		
C20	265180-1	PAN HEAD SCREW M5X16		1		
073	122444-5	INNER FLANGE 47 ASS'Y		1		
074	224554-5	LOCK NUT 14-45		1		
075	135555-7	COUPLING ASS'Y		1		
D10		INC. 57-59				
076	804Y42-4	CLEAR LABEL		1	*	

A01	162258-0	VIBRATION PROOF GRIP		1		
A02-1	197610-3	LOCK NUT WRENCH 35 SET		1		
A03	D-18465	GRINDING WHEEL 125X6 A24R		1		
A13	199710-5	CUTTING W.C.A. 125 SET		1		
F02	194514-0	VIBRATION PROOF GRIP SET		1		
F04-1	195239-9	115/125MM DUST COVER K SET	<	1	*	
F07-1	198719-4	DUST COVER ATTACHMENT SET	<	1		
F22	191W06-8	115/125MM DUST COVER K SET		1		
C10	743129-6	BRUSH A		1		
C20	743130-1	BRUSH B		1		

Please state Parts No. when your order.

Print Date 03/01/2024