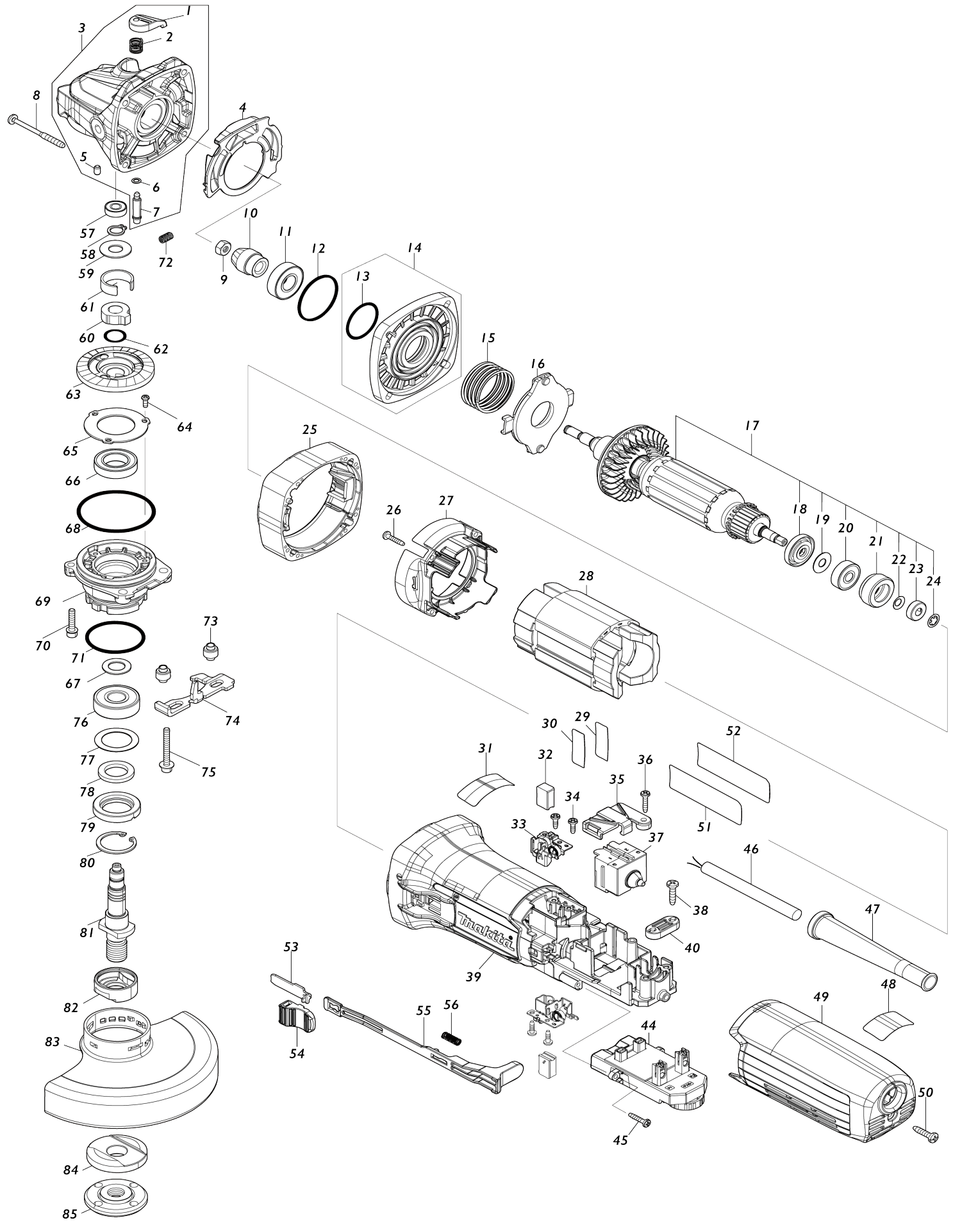


# Model No.GA5091 125MM ANGLE GRINDER



Model No.GA5091 125MM ANGLE GRINDER

Item No.	Parts No.	Description	Interchangeability	Q'ty	New/Old	Note1	Note2
001	453369-5	PIN CAP		1			
002	234057-1	COMPRESSION SPRING 8		1			
003	136770-6	GEAR HOUSING ASS'Y		1			
D10		INC. 1,2,5-7					
004	413C06-1	DIFFUSER		1			
005	263002-9	RUBBER PIN 4		1			
006	213032-0	O RING 4		1			
007	256535-1	SHOULDER PIN 6		1			
008	266467-4	TAPPING SCREW 4X50		4			
009	252186-8	HEX. NUT M6		1			
010	227916-6	SPIRAL BEVEL GEAR 11		1			
011	211131-2	BALL BEARING 6001DDW		1			
012	422812-5	RUBBER PLATE		1			
013	213693-6	O-RING 27.5		1			
014	136771-4	GEAR HOUSING COVER ASS'Y		1			
D10		INC. 13					
015	234230-3	COMPRESSION SPRING 33		1			
016	141515-9	BRAKE SHOE HOLDER COMPLETE		1			
017	511A44-6	ARMATURE ASS'Y 240V		1			
D10		INC. 18-24					
018	681656-4	INSULATION WASHER		1			
019	253823-7	FLAT WASHER 7		1			
020	210027-4	BALL BEARING 627DDW		1			
021	422811-7	LABYRINTH RUBBER RING 22		1			
022	267756-0	WAVE WASHER 6		1			
023	688117-5	MAGNET SLEEVE		1			
024	259039-2	SELF LOCK 6		1			
025	413C05-3	SPACER		1			
026	266429-2	TAPPING SCREW 3X16		4			
027	413C08-7	BAFFLE PLATE B		1			
028	621968-3	FIELD 220-240V		1			
029	807G78-4	CLEAR LABEL		1	*		
030	858N22-6	GA5091 SERIAL NO. LABEL		1			
031	898443-6	SJS2 MARK LABEL		1	*		
032	1910M3-7	CARBON BRUSH 264 SET		1			
033	644011-1	BRUSH HOLDER		2			
034	266007-8	TAPPING SCREW BIND PT 3X10		4			
035	413G29-3	SWITCH COVER		1			
036	266429-2	TAPPING SCREW 3X16		1			
037	650028-4	SWITCH FPC-2115T-0-02		1			
038	266326-2	TAPPING SCREW 4X18		2			
039	413C01-1	MOTOR HOUSING B		1			
040	687124-5	STRAIN RELIEF		1			
044	620H27-8	CONTROLLER		1			
045	266429-2	TAPPING SCREW 3X16		2			
046	665890-4	POWER SUPPLY CORD 1.0-2-4.0		1			
047	682117-7	CORD GUARD		1			

048	8055D1-9	INDICATION LABEL		1			
049	413C02-9	REAR COVER C		1			
050	266326-2	TAPPING SCREW 4X18		1			
051	858N19-5	GA5091 NAME PLATE		1			
052	8055D2-7	CLEAR LABEL		1	*		
053	347908-0	SWITCH PLATE		1			
054	413C04-5	SWITCH KNOB B		1			
055	413C03-7	SWITCH LEVER		1			
056	233121-5	COMPRESSION SPRING 4		1			
057	210026-6	BALL BEARING 696ZZ		1			
058	961006-2	RETAINING RING S-10		1			
059	253180-3	FLAT WASHER 10		1			
060	327918-3	JOINT SLEEVE		1			
061	347911-1	C TYPE PLATE		1			
062	213122-9	O RING 12		1			
063	227917-4	SPIRAL BEVEL GEAR 38		1			
064	265199-0	+ PAN HEAD SCREW M3X8		3			
065	285048-5	BEARING RETAINER 27-46		1			
066	210302-8	BALL BEARING 6903ZZ		1			
067	253744-3	FLAT WASHER 12		1			
068	213641-5	O RING 51		1			
069	312C11-4	BEARING BOX B		1			
070	266948-8	HEX S. H. BOLT M4X20 WITH WR		2			
071	213789-3	O-RING 38		1	*		
071-1	262211-7	RUBBER RING 37	<	1	*		
071-2	213789-3	O-RING 38	<	1			
072	232490-1	COMPRESSION SPRING 4		1			
073	327322-6	SLEEVE 4		2			
074	347910-3	LEVER B		1			
075	265C21-9	H.S.H.BOLT M4X35(WITH WG)		2			
076	211129-9	BALL BEARING 6201DDW		1			
077	267279-8	FLAT WASHER 21		1			
078	443124-3	FELT RING 17		1			
079	285854-8	BEARING RETAINER 20-33		1			
080	962105-3	RETAINING RING R-26		1			
081	327917-5	SPINDLE		1			
082	310514-4	LEAD FLANGE		1			
083	141L54-1	WHEEL COVER 125 COMPLETE		1	*		
C10	8050A1-8	CAUTION LABEL		1	*		
083-1	141P46-4	WHEEL COVER 125 COMPLETE	<	1			
C10	8050A1-8	CAUTION LABEL		1			
084	224447-6	INNER FLANGE 42B		1			
085	224485-8	LOCK NUT 14-45		1			
A01	A-80656	GRINDING WHEEL 125 WA36N		1			
A02	199710-5	CUTTING W.C.A. 125 SET		1			
A03	162258-0	VIBRATION PROOF GRIP		1			
A04	782034-2	LOCK NUT WRENCH 35		1			
F02	191V72-9	DUST COVER ATTACHMENT SET		1			
F03	191W05-0	115/125MM DUST COVER SET		1			
C10	743129-6	BRUSH A		1			
C20	743130-1	BRUSH B		1			

F04	1910X5-0	GRIP 35 SET		1			
F05	1910X6-8	GRIP 35 SET		1			
F07	1910Y0-7	WHEEL COVER 125C SET		1			
F11	194514-0	VIBRATION PROOF GRIP SET		1			

Please state Parts No. when your order.

Print Date 02/19/2024