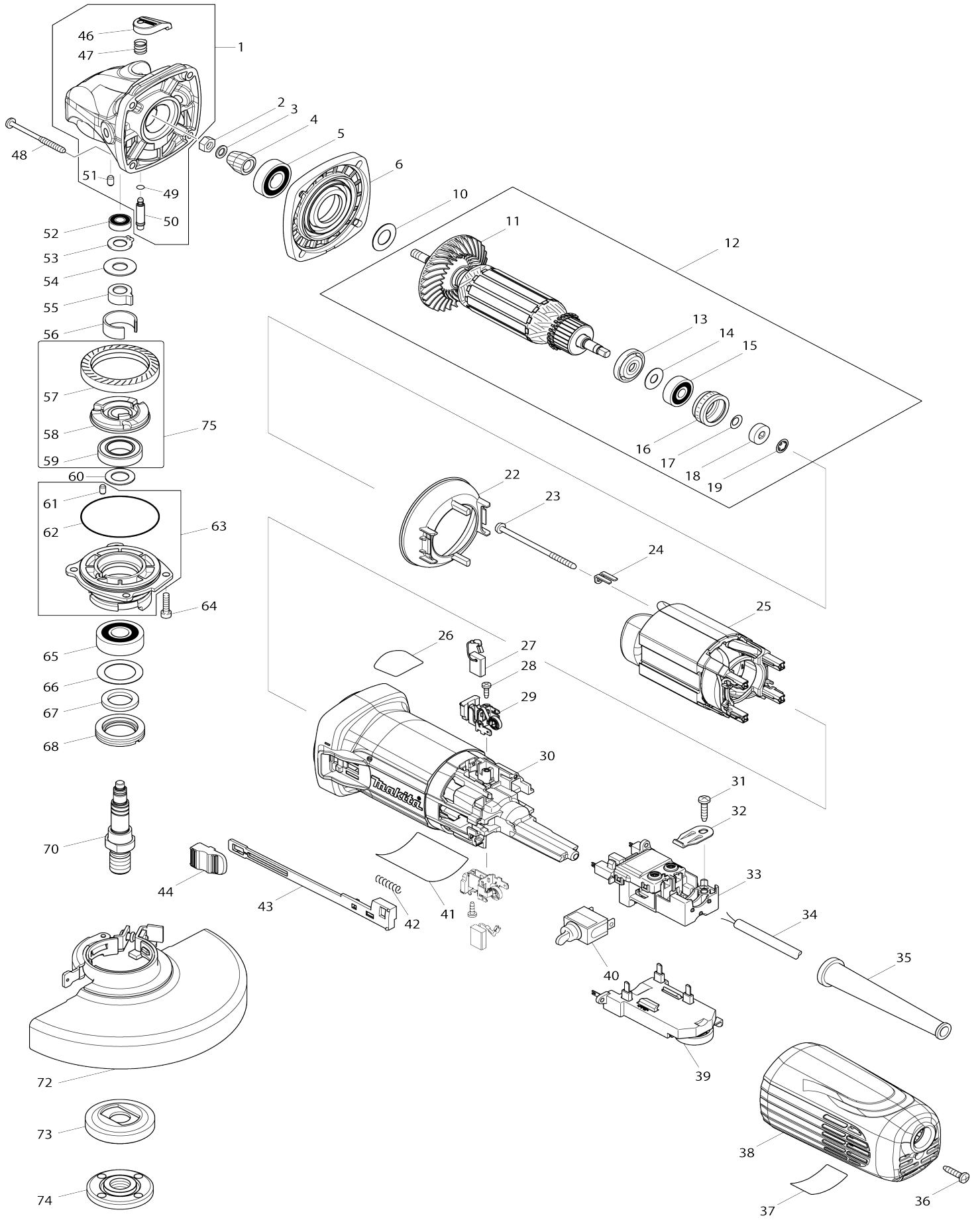


Model No.GA6040C 150MM ANGLE GRINDER



Model No.GA6040C 150MM ANGLE GRINDER

Item No.	Parts No.	Description	Interchangability	Q'ty	New/Old	Note1	Note2
F01	199140-0	GUIDE RAIL 1000 SET		1			
F02	199141-8	GUIDE RAIL 1500 SET		1			
F03	194368-5	GUIDE RAIL 1400 SET		1			
F04	194925-9	GUIDE RAIL 1900 SET		1			
F05	194367-7	GUIDE RAIL 3000 SET		1			
F06	194416-0	SHEET 10000 SET		1			
F07	194417-8	RUBBER SHEET 10000 SET		1			
F08	194418-6	POSITION SHEET 1400 SET		1			
F09	194910-2	POSITION SHEET 1900 SET		1			
001	168705-9	GEAR HOUSING COMPLETE		1	*		
001-1	319310-7	GEAR HOUSING	<	1	*		
001-2	136013-6	GEAR HOUSING ASS'Y	<	1			
D10		INC. 46,47,49-51					
002	252186-8	HEX. NUT M6		1			
003	253077-6	FLAT WASHER 6		1			
004	227593-4	SPIRAL BEVEL GEAR 9		1			
005	211142-7	BALL BEARING 6001LLB		1			
006	318835-8	GEAR HOUSING COVER		1	*		
006-1	141981-0	GEAR HOUSING COVER COMPLETE	<	1			
010	253084-9	FLAT WASHER 12		1			
011	240134-9	FAN 60		1			
012	515373-3	ARMATURE ASS'Y 220-240V		1	*		
D10		INC. 11,13-15					
012-1	510377-0	ARMATURE ASS'Y 220-240V	<	1	*		
D10		INC. 11,13-19					
012-2	510510-4	ARMATURE ASS'Y 220-240V	<	1			
D10		INC. 11,13-19					
013	681656-4	INSULATION WASHER		1			
014	253823-7	FLAT WASHER 7		1			
015	210027-4	BALL BEARING 627DDW		1			
016	421738-8	LABYRINTH RUBBER RING 22		1	*		
016-1	422750-1	LABYRINTH RUBBER RING 22	<	1			
017	267756-0	WAVE WASHER 6		1			
018	688117-5	MAGNET SLEEVE		1			
019	259039-2	SELF LOCK 6		1			
022	453367-9	BUFFLE PLATE		1			
023	266258-3	TAPPING SCREW 4X70		2			
024	344871-8	RETAINER		2			
025	626653-3	FIELD 220-240V		1			
026	898443-6	SJS2 MARK LABEL		1	*		
027	191978-9	A.C. CARBON BRUSH CB-318		1			
028	266007-8	TAPPING SCREW BIND PT 3X10		2			
029	643769-9	BRUSH HOLDER		2	*		
029-1	643770-4	BRUSH HOLDER	<	2			
030	453366-1	MOTOR HOUSING		1			
031	266326-2	TAPPING SCREW 4X18		1	*		
031-1	265B67-9	TAPPING SCREW 4X18	O	1			

032	687169-3	STRAIN RELIEF		1		
033	638947-4	SWITCH BLOCK		1	*	
033-1	632K98-1	SWITCH BLOCK	<	1		
034	695034-2	POWER SUPPLY CORD 1.0-2-4.0		1		
035	682559-5	CORD GUARD 8		1		
036	266326-2	TAPPING SCREW 4X18		1	*	
036-1	265B67-9	TAPPING SCREW 4X18	O	1		
037	898445-2	INDICATION LABEL		1		
038	453365-3	REAR COVER C		1		
039	620129-2	CONTROLLER		1	*	
039-1	620736-1	CONTROLLER	<	1	*	
039-2	620G44-2	CONTROLLER	<	1		
040	651418-4	SWITCH ST115A-40		1	*	
040-1	651418-4	SWITCH ST115A-40	O	1		
041	897092-6	GA6040C NAME PLATE		1	*	
041-1	897092-6	GA6040C NAME PLATE	<	1		
042	233071-4	COMPRESSION SPRING 4		1		
043	453847-5	SWITCH LEVER		1		
044	453368-7	SWITCH KNOB		1		
046	453369-5	PIN CAP		1		
047	234057-1	COMPRESSION SPRING 8		1		
048	266361-0	TAPPING SCREW 4X30		4	*	
048-1	265B70-0	TAPPING SCREW 4X30	O	4		
049	213032-0	O RING 4		1		
050	256535-1	SHOULDER PIN 6		1		
051	263002-9	RUBBER PIN 4		1		
052	210006-2	BALL BEARING 696ZZ		1		
053	961005-4	RETAINING RING S-9		1		
054	253180-3	FLAT WASHER 10		1		
055	310508-9	JOINT SLEEVE		1	*	
055-1	310577-0	JOINT SLEEVE	<	1	*	
055-2	310683-1	JOINT SLEEVE	<	1		
056	346556-2	C TYPE PLATE		1		
057	227594-2	SPIRAL BEVEL GEAR 41		1		
058	313228-4	COUPLING		1		
059	210302-8	BALL BEARING 6903ZZ		1		
060	253744-3	FLAT WASHER 12		1		
061	263002-9	RUBBER PIN 4		1		
062	213641-5	O RING 51		1		
063	318837-4	BEARING BOX		1	*	
063-1	136012-8	BEARING BOX ASSEMBLY	<	1		
D10		INC. 61.62				
064	265490-6	HEX. SOCKET HEAD BOLT M4X16		4		
065	211129-9	BALL BEARING 6201DDW		1		
066	267279-8	FLAT WASHER 21		1		
067	443124-3	FELT RING 17		1		
068	285854-8	BEARING RETAINER 20-33		1		
070	326130-2	SPINDLE		1		
072	123146-6	TOOLLESS WHEELCOVER 150AK ASSY		1	*	
C10	213009-5	O RING 4		1	*	
C20	265180-1	PAN HEAD SCREW M5X16		1	*	

072-1	141P37-5	TOOLLESS WHEEL COVER 150AK CMP	<	1	*		
C10	213009-5	O RING 4		1	*		
C20	265180-1	PAN HEAD SCREW M5X16		1	*		
C30	8050A1-8	CAUTION LABEL		1	*		
072-2	123146-6	TOOLLESS WHEELCOVER 150AK ASSY	<	1			
C10	213009-5	O RING 4		1			
C20	265180-1	PAN HEAD SCREW M5X16		1			
073	122444-5	INNER FLANGE 47 ASS'Y		1			
074	224554-5	LOCK NUT 14-45		1			
075	135556-5	COUPLING ASS'Y		1			
D10		INC. 57-59					
076	804Y42-4	CLEAR LABEL		1	*		
A01	162258-0	VIBRATION PROOF GRIP		1			
A02	782407-9	LOCK NUT WRENCH 35		1	*		
A02-1	197610-3	LOCK NUT WRENCH 35 SET	O	1			
A03	A-80846	DEPRESSED CENTER WHEEL 150X 36		1			
A05	191X09-8	CUTTING W.C.A. 150 SET		1	*		
F02	194514-0	VIBRATION PROOF GRIP SET		1			
F05-1	198719-4	DUST COVER ATTACHMENT SET	<	1			

Please state Parts No. when your order.

Print Date 03/01/2024