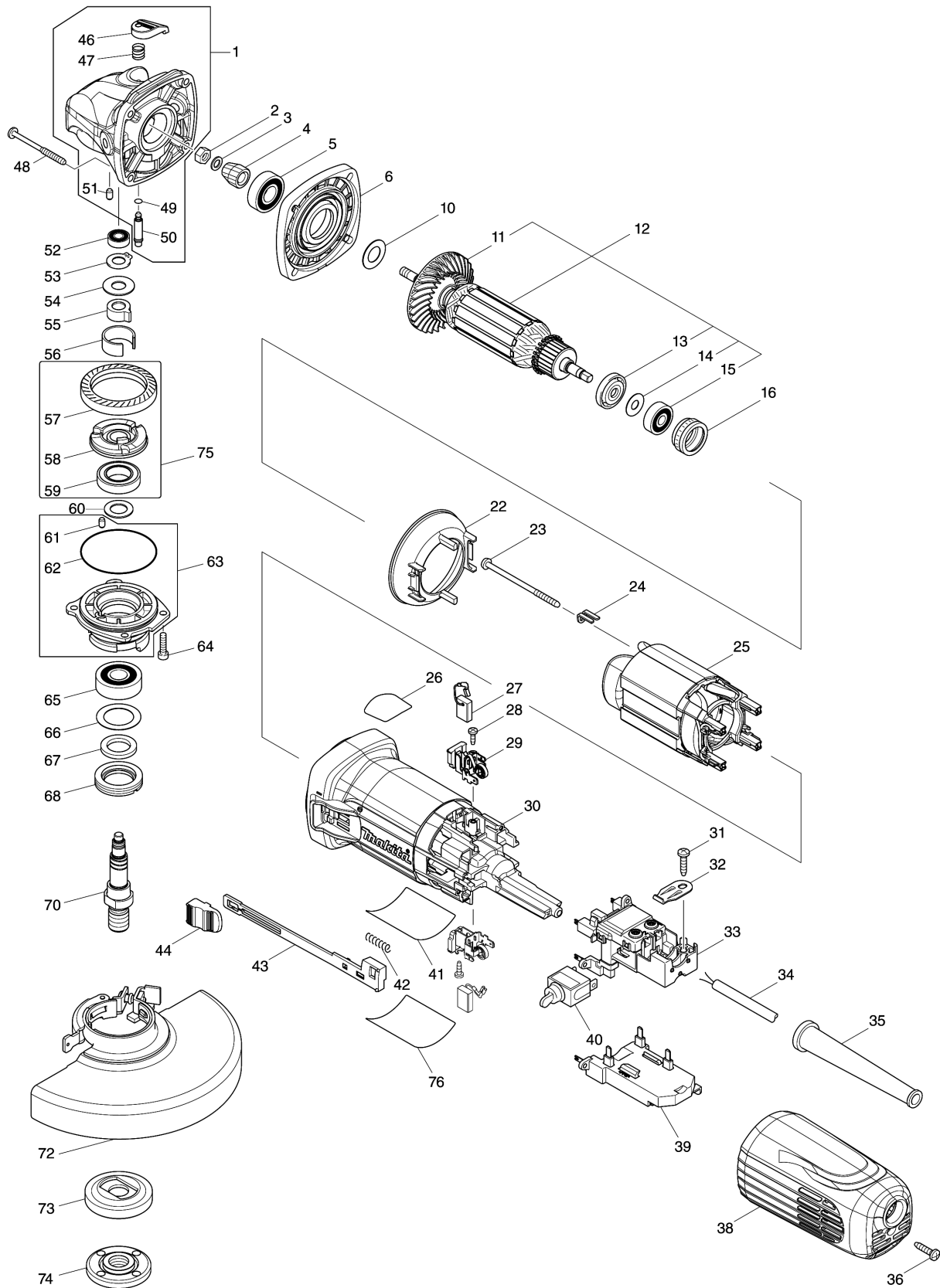


Model No.GA6040R 150MM ANGLE GRINDER



Model No.GA6040R 150MM ANGLE GRINDER

Item	Parts No.	Description	I/C	Qty	New/Old	Opt. 1	Opt. 2	Note
001	168705-9	GEAR HOUSING COMPLETE		1	*			
001-1	319310-7	GEAR HOUSING	<	1	*			
001-2	136013-6	GEAR HOUSING ASS'Y	<	1				
D10		INC. 46,47,49-51						
002	252186-8	HEX. NUT M6		1				
003	253077-6	FLAT WASHER 6		1				
004	227593-4	SPIRAL BEVEL GEAR 9		1				
005	211142-7	BALL BEARING 6001LLB		1				
006	141981-0	GEAR HOUSING COVER COMPLETE		1				
010	253084-9	FLAT WASHER 12		1				
011	240134-9	FAN 60		1				
012	515364-4	ARMATURE ASS'Y 240V		1				
D10		INC. 11,13-15						
013	681656-4	INSULATION WASHER		1				
014	253823-7	FLAT WASHER 7		1				
015	210027-4	BALL BEARING 627DDW		1				
016	421738-8	LABYRINTH RUBBER RING 22		1	*			
016-1	422750-1	LABYRINTH RUBBER RING 22	<	1				
022	453367-9	BUFFLE PLATE		1				
023	266258-3	TAPPING SCREW 4X70		2				
024	344871-8	RETAINER		2				
025	626649-4	FIELD 240V		1				
026	898443-6	SJS2 MARK LABEL		1	*			
027	194074-2	CARBON BRUSH CB-325		1				
028	266007-8	TAPPING SCREW BIND PT 3X10		2				
029	643770-4	BRUSH HOLDER		2				
030	453366-1	MOTOR HOUSING		1				
031	266326-2	TAPPING SCREW 4X18		1	*			
031-1	265B67-9	TAPPING SCREW 4X18	O	1				
032	687169-3	STRAIN RELIEF		1				
033	638947-4	SWITCH BLOCK		1	*			
033-1	632K98-1	SWITCH BLOCK	<	1				
034	695034-2	POWER SUPPLY CORD 1.0-2-4.0		1				
035	682559-5	CORD GUARD 8		1				
036	266326-2	TAPPING SCREW 4X18		1	*			
036-1	265B67-9	TAPPING SCREW 4X18	O	1				
038	453365-3	REAR COVER C		1				
039	620343-0	CONTROLLER		1	*			
039-1	620786-6	CONTROLLER	<	1	*			
039-2	620G06-0	CONTROLLER	<	1				
040	651418-4	SWITCH ST115A-40		1	*			
040-1	651418-4	SWITCH ST115A-40	O	1				
041	850M74-7	GA6040R NAME PLATE		1				
042	233071-4	COMPRESSION SPRING 4		1				

Please order the parts with part number.

Print Date 4/3/2024

Model No.GA6040R 150MM ANGLE GRINDER

Item	Parts No.	Description	I/C	Qty	New/Old	Opt. 1	Opt. 2	Note
043	453847-5	SWITCH LEVER		1				
044	453368-7	SWITCH KNOB		1				
046	453369-5	PIN CAP		1				
047	234057-1	COMPRESSION SPRING 8		1				
048	266361-0	TAPPING SCREW 4X30		4	*			
048-1	265B70-0	TAPPING SCREW 4X30	O	4				
049	213032-0	O RING 4		1				
050	256535-1	SHOULDER PIN 6		1				
051	263002-9	RUBBER PIN 4		1				
052	210006-2	BALL BEARING 696ZZ		1				
053	961005-4	RETAINING RING S-9		1				
054	253180-3	FLAT WASHER 10		1				
055	310577-0	JOINT SLEEVE		1	*			
055-1	310683-1	JOINT SLEEVE	<	1				
056	346556-2	C TYPE PLATE		1				
057	227594-2	SPIRAL BEVEL GEAR 41		1				
058	313228-4	COUPLING		1				
059	210302-8	BALL BEARING 6903ZZ		1				
060	253744-3	FLAT WASHER 12		1				
061	263002-9	RUBBER PIN 4		1				
062	213641-5	O RING 51		1				
063	318837-4	BEARING BOX		1	*			
063-1	136012-8	BEARING BOX ASSEMBLY	<	1				
D10		INC. 61.62						
064	265490-6	HEX. SOCKET HEAD BOLT M4X16		4				
065	211129-9	BALL BEARING 6201DDW		1				
066	267279-8	FLAT WASHER 21		1				
067	443124-3	FELT RING 17		1				
068	285854-8	BEARING RETAINER 20-33		1				
070	326130-2	SPINDLE		1				
072	123146-6	TOOLLESS WHEELCOVER 150AK ASSY		1				
C10	213009-5	O RING 4		1				
C20	265180-1	PAN HEAD SCREW M5X16		1				
073	224415-9	INNER FLANGE 42		1				
074	224554-5	LOCK NUT 14-45		1				
075	135556-5	COUPLING ASS'Y		1				
D10		INC. 57-59						
076	804Y42-4	CLEAR LABEL		1	*			
A01	153489-2	GRIP 36 COMPLETE		1				
A02	782407-9	LOCK NUT WRENCH 35		1	*			
A02-1	197610-3	LOCK NUT WRENCH 35 SET	O	1				
A03	A-80846	DEPRESSED CENTER WHEEL 150X36		1				
F02	194514-0	VIBRATION PROOF GRIP SET		1				
F05-1	198719-4	DUST COVER ATTACHMENT SET	<	1				

Please order the parts with part number.

Print Date 4/3/2024