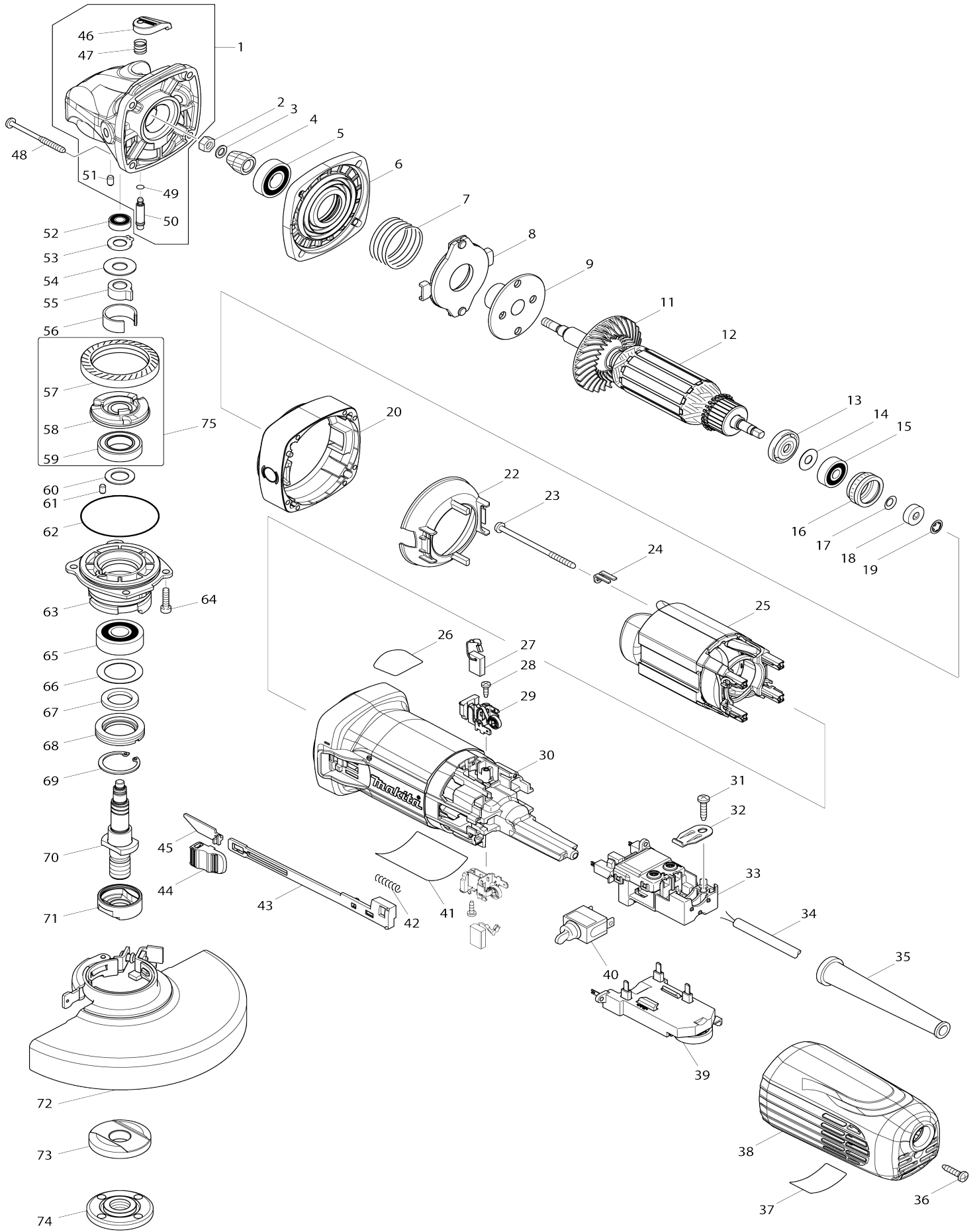


Model No.GA6041C 150MM ANGLE GRINDER



Model No.GA6041C 150MM ANGLE GRINDER

| Item No. | Parts No. | Description | Interchangeability | Q'ty | New/Old | Note1 | Note2 |
|----------|-----------|-----------------------------|--------------------|------|---------|-------|-------|
| 001 | 168705-9 | GEAR HOUSING COMPLETE | | 1 | * | | |
| 001-1 | 319310-7 | GEAR HOUSING | < | 1 | * | | |
| 001-2 | 136013-6 | GEAR HOUSING ASS'Y | < | 1 | | | |
| D10 | | INC. 46,47,49-51 | | | | | |
| 002 | 252186-8 | HEX. NUT M6 | | 1 | | | |
| 003 | 253077-6 | FLAT WASHER 6 | | 1 | | | |
| 004 | 227593-4 | SPIRAL BEVEL GEAR 9 | | 1 | | | |
| 005 | 211142-7 | BALL BEARING 6001LLB | | 1 | | | |
| 006 | 141981-0 | GEAR HOUSING COVER COMPLETE | | 1 | | | |
| 007 | 234230-3 | COMPRESSION SPRING 33 | | 1 | | | |
| 008 | 141515-9 | BRAKE SHOE HOLDER COMPLETE | | 1 | | | |
| 009 | 326132-8 | BRAKE PLATE | | 1 | * | | |
| 011 | 240135-7 | FAN 60 B | | 1 | * | | |
| 012 | 515378-3 | ARMATURE ASS'Y 220-240V | | 1 | * | | |
| D10 | | INC. 11,13-15 | | | | | |
| 012-1 | 515398-7 | ARMATURE ASS'Y 220-240V | X | 1 | | | |
| D10 | | INC. 13-15 | | | | | |
| 013 | 681656-4 | INSULATION WASHER | | 1 | | | |
| 014 | 253823-7 | FLAT WASHER 7 | | 1 | | | |
| 015 | 210027-4 | BALL BEARING 627DDW | | 1 | | | |
| 016 | 421738-8 | LABYRINTH RUBBER RING 22 | | 1 | * | | |
| 016-1 | 422750-1 | LABYRINTH RUBBER RING 22 | < | 1 | | | |
| 017 | 267756-0 | WAVE WASHER 6 | | 1 | | | |
| 018 | 688117-5 | MAGNET SLEEVE | | 1 | | | |
| 019 | 259039-2 | SELF LOCK 6 | | 1 | | | |
| 020 | 453374-2 | SPACER | | 1 | * | | |
| 020-1 | 455351-0 | SPACER | < | 1 | | | |
| 022 | 453375-0 | BUFFLE PLATE B | | 1 | | | |
| 023 | 266258-3 | TAPPING SCREW 4X70 | | 2 | | | |
| 024 | 344871-8 | RETAINER | | 2 | | | |
| 025 | 626653-3 | FIELD 220-240V | | 1 | | | |
| 026 | 898443-6 | SJS2 MARK LABEL | | 1 | * | | |
| 027 | 191978-9 | A.C. CARBON BRUSH CB-318 | | 1 | | | |
| 028 | 266007-8 | TAPPING SCREW BIND PT 3X10 | | 2 | | | |
| 029 | 643769-9 | BRUSH HOLDER | | 2 | * | | |
| 029-1 | 643770-4 | BRUSH HOLDER | < | 2 | | | |
| 030 | 453376-8 | MOTOR HOUSING B | | 1 | | | |
| 031 | 266326-2 | TAPPING SCREW 4X18 | | 1 | | | |
| 032 | 687169-3 | STRAIN RELIEF | | 1 | | | |
| 033 | 638947-4 | SWITCH BLOCK | | 1 | * | | |
| 033-1 | 632K98-1 | SWITCH BLOCK | < | 1 | | | |
| 034 | 695034-2 | POWER SUPPLY CORD 1.0-2-4.0 | | 1 | | | |
| 035 | 682559-5 | CORD GUARD 8 | | 1 | | | |
| 036 | 266326-2 | TAPPING SCREW 4X18 | | 1 | | | |
| 037 | 898445-2 | INDICATION LABEL | | 1 | | | |
| 038 | 453365-3 | REAR COVER C | | 1 | | | |

| | | | | | | | |
|-------|----------|--------------------------------|---|---|---|--|--|
| 039 | 620129-2 | CONTROLLER | | 1 | * | | |
| 039-1 | 620736-1 | CONTROLLER | < | 1 | * | | |
| 039-2 | 620G44-2 | CONTROLLER | < | 1 | | | |
| 040 | 651418-4 | SWITCH ST115A-40 | | 1 | * | | |
| 040-1 | 651418-4 | SWITCH ST115A-40 | O | 1 | | | |
| 041 | 897105-3 | GA6041C NAME PLATE | | 1 | * | | |
| 041-1 | 897105-3 | GA6041C NAME PLATE | < | 1 | | | |
| 042 | 233071-4 | COMPRESSION SPRING 4 | | 1 | | | |
| 043 | 453847-5 | SWITCH LEVER | | 1 | | | |
| 044 | 453377-6 | SWITCH KNOB B | | 1 | | | |
| 045 | 346557-0 | SWITCHI PLATE | | 1 | | | |
| 046 | 453369-5 | PIN CAP | | 1 | | | |
| 047 | 234057-1 | COMPRESSION SPRING 8 | | 1 | | | |
| 048 | 266467-4 | TAPPING SCREW 4X50 | | 4 | | | |
| 049 | 213032-0 | O RING 4 | | 1 | | | |
| 050 | 256535-1 | SHOULDER PIN 6 | | 1 | | | |
| 051 | 263002-9 | RUBBER PIN 4 | | 1 | | | |
| 052 | 210006-2 | BALL BEARING 696ZZ | | 1 | | | |
| 053 | 961005-4 | RETAINING RING S-9 | | 1 | | | |
| 054 | 253180-3 | FLAT WASHER 10 | | 1 | | | |
| 055 | 310508-9 | JOINT SLEEVE | | 1 | * | | |
| 055-1 | 310577-0 | JOINT SLEEVE | < | 1 | * | | |
| 055-2 | 310683-1 | JOINT SLEEVE | < | 1 | | | |
| 056 | 346556-2 | C TYPE PLATE | | 1 | | | |
| 057 | 227594-2 | SPIRAL BEVEL GEAR 41 | | 1 | | | |
| 058 | 313228-4 | COUPLING | | 1 | | | |
| 059 | 210302-8 | BALL BEARING 6903ZZ | | 1 | | | |
| 060 | 253744-3 | FLAT WASHER 12 | | 1 | | | |
| 061 | 263002-9 | RUBBER PIN 4 | | 1 | | | |
| 062 | 213641-5 | O RING 51 | | 1 | | | |
| 063 | 318839-0 | BEARRING BOX B | | 1 | | | |
| 064 | 265490-6 | HEX. SOCKET HEAD BOLT M4X16 | | 4 | | | |
| 065 | 211129-9 | BALL BEARING 6201DDW | | 1 | | | |
| 066 | 267279-8 | FLAT WASHER 21 | | 1 | | | |
| 067 | 443124-3 | FELT RING 17 | | 1 | | | |
| 068 | 285854-8 | BEARING RETAINER 20-33 | | 1 | | | |
| 069 | 962105-3 | RETAINING RING R-26 | | 1 | | | |
| 070 | 326133-6 | SPINDLE | | 1 | | | |
| 071 | 310514-4 | LEAD FLANGE | | 1 | | | |
| 072 | 123146-6 | TOOLLESS WHEELCOVER 150AK ASSY | | 1 | | | |
| C10 | 213009-5 | O RING 4 | | 1 | | | |
| C20 | 265180-1 | PAN HEAD SCREW M5X16 | | 1 | | | |
| 073 | 224447-6 | INNER FLANGE 42B | | 1 | | | |
| 074 | 122864-3 | TOOLLESS LOCK NUT ASSEMBLY M14 | | 1 | * | | |
| 074-1 | 195354-9 | TOOLLESS LOCK NUT SET | O | 1 | | | |
| 075 | 135556-5 | COUPLING ASS'Y | | 1 | | | |
| D10 | | INC. 57-59 | | | | | |
| A01 | 162258-0 | VIBRATION PROOF GRIP | | 1 | | | |
| A02 | 782407-9 | LOCK NUT WRENCH 35 | | 1 | | | |
| A03 | A-80846 | DEPRESSED CENTER WHEEL 150X | | 1 | | | |

36

| | | | | | | | |
|-------|----------|---------------------------|---|---|--|--|--|
| F02 | 194514-0 | VIBRATION PROOF GRIP SET | | 1 | | | |
| F05-1 | 198719-4 | DUST COVER ATTACHMENT SET | < | 1 | | | |

Please state Parts No. when your order.

Print Date 09.10.2023