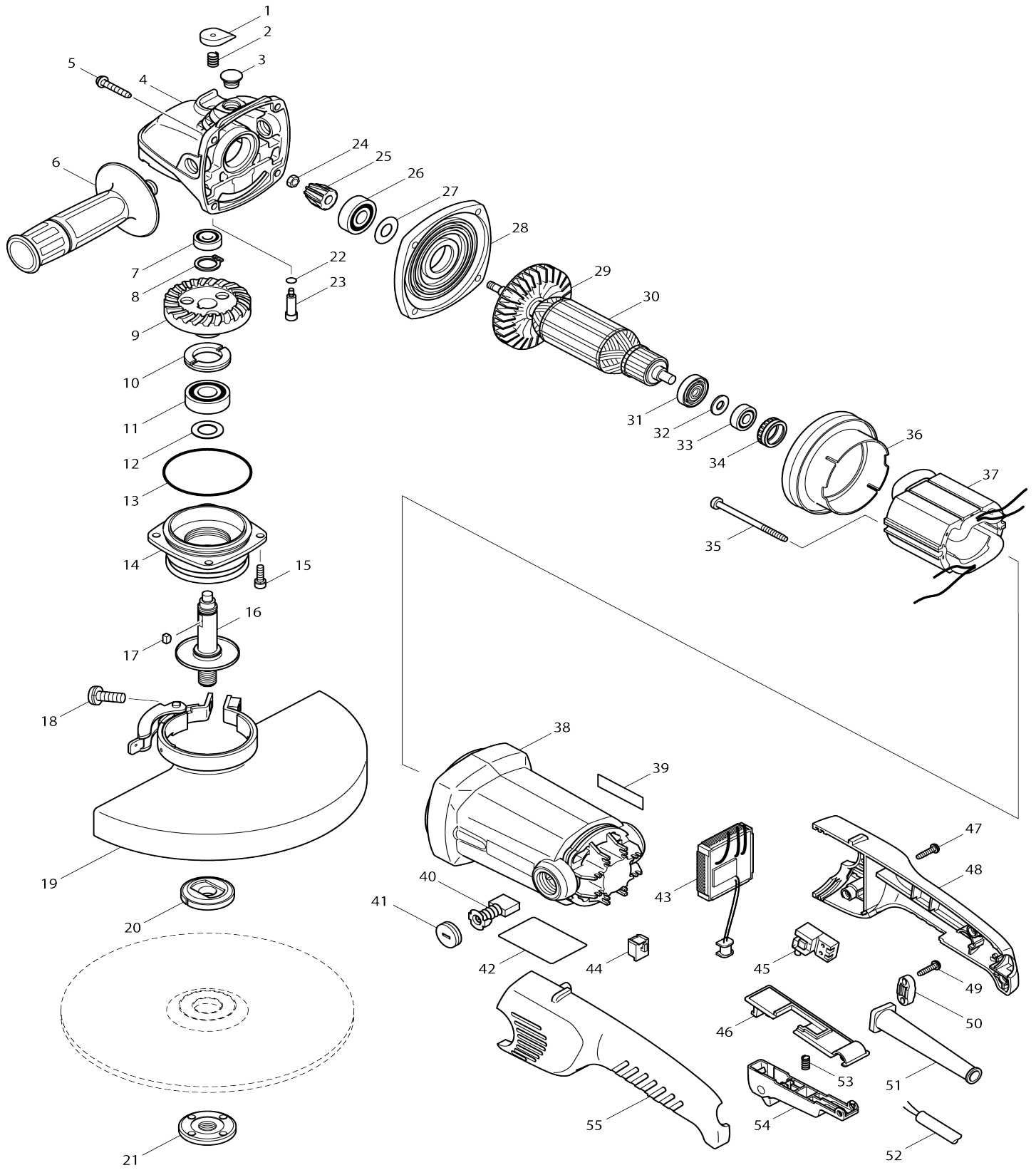


# Model No.GA9010C ANGLE GRINDER 230MM



Model No.GA9010C ANGLE GRINDER 230MM

Item No.	Parts No.	Description	Interchangability	Q'ty	New/Old	Note1	Note2
001	418517-3	PIN CAP		1			
002	231037-8	COMPRESSION SPRING 7		1			
003	416972-3	CAP		1			
004	317752-9	GEAR HOUSING		1	*		
004-1	318817-0	GEAR HOUSING	O	1			
005	266173-1	TAPPING SCREW 5X30		4			
006	152539-0	GRIP 36 COMPLETE		1			
007	211031-6	BALL BEARING 608LLB		1	*		
007-1	210043-6	BALL BEARING 608LLB	O	1			
008	961055-9	RETAINING RING S-15		1			
009	227457-2	SPIRAL BEVEL GEAR 43		1	*		
009-1	227A49-3	SPIRAL BEVEL GEAR 43	S	1			
010	285809-3	BEARING RETAINER 23-36		1			
011	211228-7	BALL BEARING 6202DDW		1			
012	267215-4	FLAT WASHER 15		1			
013	213720-9	O RING 67		1			
014	317754-5	BEARING BOX		1	*		
014-1	318376-4	BEARING BOX	S	1			
015	922221-3	HEX. SOCKET HEAD BOLT M5X16		4			
016	153785-8	SPINDLE COMPLETE		1			
017	254011-9	WOODRUFF KEY 4		1			
018	265050-4	PAN HEAD SCREW M8X25		1	*		
019	163445-4	WHEEL COVER		1	*		
019-1	122847-3	TOOLLESS WHEEL COVER 230K	S	1			
020	224298-7	INNER FLANGE 42		1	*		
020-1	224415-9	INNER FLANGE 42	<	1	*		
020-2	224490-5	INNER FLANGE 14-45	O	1			
021	224543-0	LOCK NUT 14-45		1			
022	213026-5	O RING 7		1			
023	256483-4	SHOULDER PIN 7		1			
024	931303-0	HEX. NUT M6		1	*		
024-1	252268-6	HEX. NUT M6	O	1			
025	227456-4	SPIRAL BEVEL GEAR 9		1	*		
025-1	227A48-5	SPIRAL BEVEL GEAR 9	S	1			
026	211106-1	BALL BEARING 6201LLB		1			
027	253759-0	FLAT WASHER 12		1			
028	317753-7	GEAR HOUSING COVER		1			
029	240070-9	FAN 76		1			
030	513568-2	ARMATURE ASS'Y 220-240V		1			
D10		INC. 29,31-33					
031	681660-3	INSULATION WASHER		1			
032	267281-1	FLAT WASHER 8		1			
033	210005-4	BALL BEARING 608DDW		1			
034	421720-7	RUBBER RING 22		1			
035	266059-9	TAPPING SCREW 5X75		2			
036	418516-5	BUFFLE PLATE		1			
037	625704-9	FIELD 220-240V		1	*		

037-1	625704-9	FIELD 220-240V	O	1		
038	183778-1	MOTOR HOUSING		1	*	
C10	643712-8	BRUSH HOLDER		2	*	
D10		INC. 39				
038-1	153786-6	MOTOR HOUSING COMPLETE	<	1		
C10	643712-8	BRUSH HOLDER		2		
039	819063-3	MAKITA LABEL		2	*	
040	191957-7	A.C. CARBON BRUSH CB-204		1	*	
040-1	194992-4	CARBON BRUSH SET CB-204	O	1		
041	643700-5	BRUSH HOLDER CAP 7-18		2		
042	860297-1	NAME PLATE GA9010C		1		
043	631598-2	CONTROLLER		1		
044	418518-1	SLEEVE		1		
045	651922-3	SWITCH TG71B		1	*	
045-1	650677-7	SWITCH C3PA-1112	<	1	*	
045-2	651922-3	SWITCH TG71B	<	1		
046	418519-9	SWITCH BASE		1		
047	265995-6	TAPPING SCREW 4X18		4		
048	183783-8	HANDLE SET		1		
D10		INC. 55				
049	265995-6	TAPPING SCREW 4X18		2		
050	687052-4	STRAIN RELIEF		1	*	
050-1	687124-5	STRAIN RELIEF	O	1		
051	682573-1	CORD GUARD 10		1		
052	665865-3	POWER SUPPLY CORD 1.0-2-2.5		1		
053	233117-6	COMPRESSION SPRING 6		1		
054	153787-4	SWITCH LEVER COMPLETE		1	*	
054-1	153788-2	SWITCH LEVER COMPLETE	<	1		
055	183783-8	HANDLE SET		1		
D10		INC. 48				
A01	782407-9	LOCK NUT WRENCH 35		1	*	
A01-1	782034-2	LOCK NUT WRENCH 35	O	1		
F01	193956-5	DUST COVER ATTACHMENT		1		
F45	191X44-6	180MM DUST COLLECT COVER K SET		1		
047-2	141P30-9	WHEEL COVER 180K COMPLETE	<	1		
C10	213017-6	O RING 6		1		
C20	8050A1-8	CAUTION LABEL		1		
D10		INC. 46				
A01	152539-0	GRIP 36 COMPLETE		1	*	
019-2	141P40-6	TOOLLESS WHEEL COVER 230K C MP	<	1		
C10	8050A1-8	CAUTION LABEL		1		
020	122444-5	INNER FLANGE 47 ASS'Y		1		
A04	122913-6	WHEEL COVER 230CK ASSEMBLY		1		
C10	213017-6	O RING 6		1		
C20	265198-2	+PAN HEAD SCREW M8X25		1		

Please state Parts No. when your order.

Print Date 12/15/2023