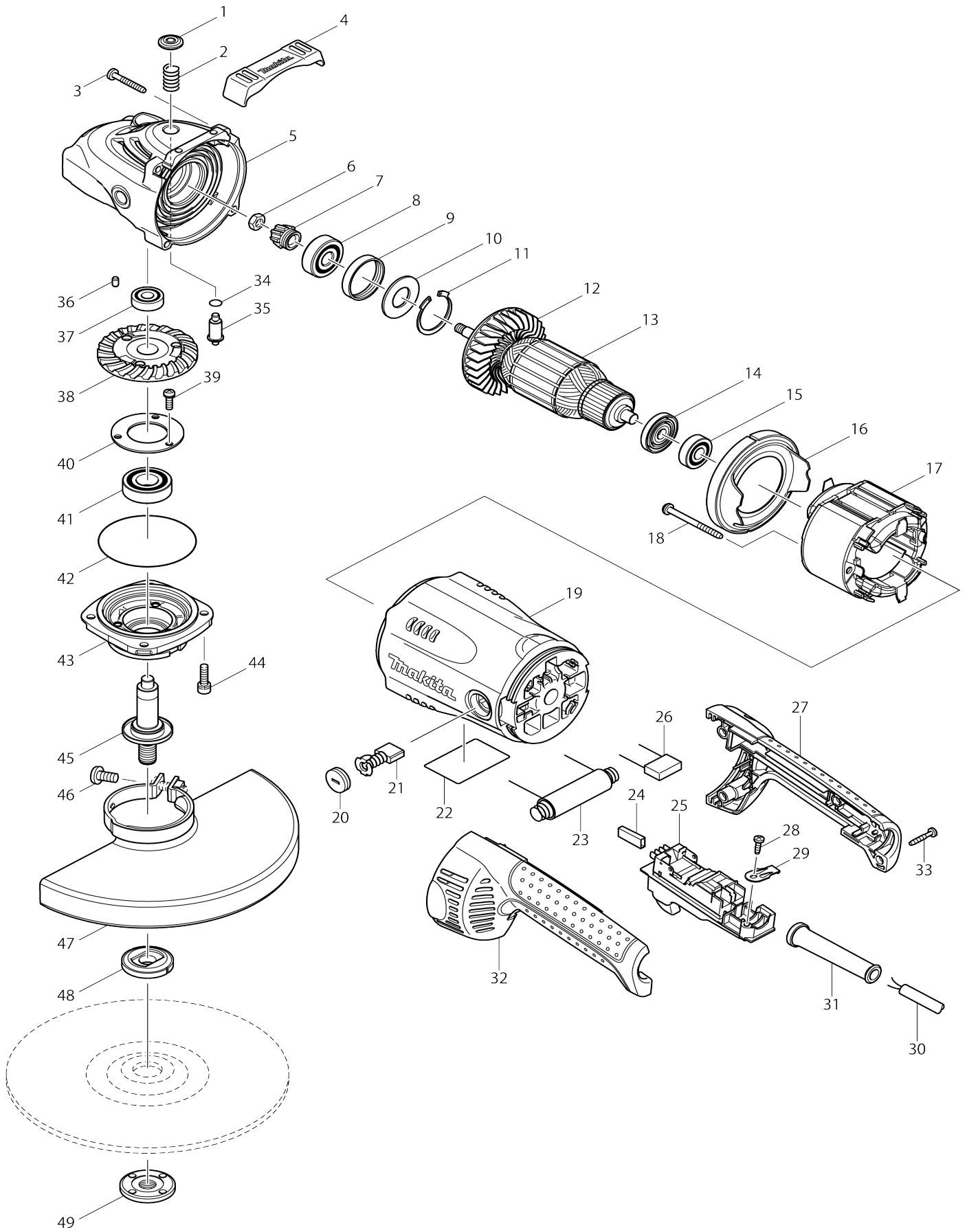


# Model No.GA9020S ANGLE GRINDER 230MM



Model No.GA9020S ANGLE GRINDER 230MM

| Item No. | Parts No. | Description              | Interchangability | Q'ty | New/Old | Note1 | Note2 |
|----------|-----------|--------------------------|-------------------|------|---------|-------|-------|
| 001      | 419133-4  | PIN CAP                  |                   | 1    | *       |       |       |
| 001-1    | 416449-8  | PIN CAP                  | S                 | 1    | *       |       |       |
| 001-2    | 419133-4  | PIN CAP                  | S                 | 1    |         |       |       |
| 002      | 233292-8  | COMPRESSION SPRING 12    |                   | 1    |         |       |       |
| 003      | 266373-3  | TAPPING SCREW 5X35       |                   | 4    | *       |       |       |
| 003-1    | 266012-5  | TAPPING SCREW 5X35       | O                 | 4    | *       |       |       |
| 003-2    | 265B72-6  | TAPPING SCREW 5X35       | O                 | 4    |         |       |       |
| 004      | 419144-9  | BUMPER                   |                   | 1    |         |       |       |
| 005      | 154685-5  | GEAR HOUSING COMPLETE    |                   | 1    | *       |       |       |
| C10      | 262118-7  | FELT RING 18             |                   | 1    | *       |       |       |
| 005-1    | 154685-5  | GEAR HOUSING COMPLETE    | O                 | 1    | *       |       |       |
| C10      | 262118-7  | FELT RING 18             |                   | 1    | *       |       |       |
| C20      | 419134-2  | LABYRINTH PLATE          |                   | 1    | *       |       |       |
| 005-2    | 154685-5  | GEAR HOUSING COMPLETE    | O                 | 1    | *       |       |       |
| C10      | 262118-7  | FELT RING 18             |                   | 1    | *       |       |       |
| 005-3    | 142754-4  | GEAR HOUSING COMPLETE    | <                 | 1    |         |       |       |
| C10      | 262118-7  | FELT RING 18             |                   | 1    |         |       |       |
| 006      | 252194-9  | HEX. NUT M8              |                   | 1    |         |       |       |
| 007      | 227490-4  | SPIRAL BEVEL GEAR 12     |                   | 1    |         |       |       |
| 008      | 211132-0  | BALL BEARING 6301DDW     |                   | 1    |         |       |       |
| 009      | 262085-6  | RUBBER RING 38           |                   | 1    |         |       |       |
| 010      | 267299-2  | FLAT WASHER 20           |                   | 1    |         |       |       |
| 011      | 962211-4  | RETAINING RING R-42      |                   | 1    |         |       |       |
| 012      | 240081-4  | FAN 80                   |                   | 1    |         |       |       |
| 013      | 516943-1  | ARMATURE ASS'Y 220V      |                   | 1    | *       |       |       |
| D10      |           | INC. 12,14,15            |                   |      |         |       |       |
| 013-1    | 517793-7  | ARMATURE ASS'Y 220V      | <                 | 1    |         |       |       |
| D10      |           | INC. 12,14,15            |                   |      |         |       |       |
| 014      | 681630-2  | INSULATION WASHER        |                   | 1    |         |       |       |
| 015      | 210075-3  | BALL BEARING 6200DDW     |                   | 1    |         |       |       |
| 016      | 419135-0  | BAFFLE PLATE             |                   | 1    |         |       |       |
| 017      | 526159-0  | FIELD ASS'Y 240V         |                   | 1    | *       |       |       |
| C10      | 654197-3  | RING TERMINAL            |                   | 2    | *       |       |       |
| C20      | 654502-4  | CONNECTOR P-2            |                   | 2    | *       |       |       |
| 017-1    | 526159-0  | FIELD ASS'Y 240V         | O                 | 1    | *       |       |       |
| C10      | 654197-3  | RING TERMINAL            |                   | 2    | *       |       |       |
| C20      | 654502-4  | CONNECTOR P-2            |                   | 2    | *       |       |       |
| 017-2    | 526179-4  | FIELD ASS'Y 240V         | O                 | 1    |         |       |       |
| C10      | 654197-3  | RING TERMINAL            |                   | 2    |         |       |       |
| C20      | 654502-4  | CONNECTOR P-2            |                   | 2    |         |       |       |
| 018      | 266329-6  | TAPPING SCREW 5X60       |                   | 2    | *       |       |       |
| 018-1    | 266044-2  | TAPPING SCREW 5X60       | O                 | 2    | *       |       |       |
| 018-2    | 265B71-8  | TAPPING SCREW 5X60       | O                 | 2    |         |       |       |
| 019      | 154671-6  | MOTOR HOUSING COMPLETE   |                   | 1    |         |       |       |
| C10      | 643712-8  | BRUSH HOLDER             |                   | 2    |         |       |       |
| 020      | 643700-5  | BRUSH HOLDER CAP 7-18    |                   | 2    |         |       |       |
| 021      | 191957-7  | A.C. CARBON BRUSH CB-204 |                   | 1    | *       |       |       |

|       |          |                             |   |   |   |  |
|-------|----------|-----------------------------|---|---|---|--|
| 021-1 | 194992-4 | CARBON BRUSH SET CB-204     | O | 1 |   |  |
| 022   | 861763-1 | GA9020S NAME PLATE          |   | 1 |   |  |
| 023   | 646658-7 | RESISTOR                    |   | 1 | * |  |
| 023-1 | 646788-4 | RESISTOR                    | O | 1 |   |  |
| 024   | 686036-9 | RECEPTACLE SLEEVE           |   | 2 |   |  |
| 025   | 651178-8 | SWITCH 1362.0112            |   | 1 | * |  |
| 025-1 | 651179-6 | SWITCH 1362.0113            | < | 1 |   |  |
| 026   | 645088-9 | NOISE SUPPRESSOR            |   | 1 |   |  |
| 027   | 188059-8 | HANDLE SET                  |   | 1 |   |  |
| C10   | 423350-0 | SPONGE SHEET                |   | 1 |   |  |
| D10   |          | INC. 32                     |   |   |   |  |
| 028   | 266385-6 | TAPPING SCREW 4X14          |   | 1 | * |  |
| 028-1 | 266192-7 | TAPPING SCREW 4X14          | O | 1 | * |  |
| 028-2 | 265B74-2 | TAPPING SCREW 4X14          | O | 1 |   |  |
| 029   | 687169-3 | STRAIN RELIEF               |   | 1 |   |  |
| 030   | 695107-1 | POWER SUPPLY CORD 1.5-2-2.5 |   | 1 |   |  |
| 031   | 682560-0 | CORD GUARD 10               |   | 1 |   |  |
| 032   | 188059-8 | HANDLE SET                  |   | 1 |   |  |
| C10   | 423350-0 | SPONGE SHEET                |   | 1 |   |  |
| D10   |          | INC. 27                     |   |   |   |  |
| 033   | 266374-1 | TAPPING SCREW 4X25          |   | 4 | * |  |
| 033-1 | 265999-8 | TAPPING SCREW 4X25          | O | 4 | * |  |
| 033-2 | 265B73-4 | TAPPING SCREW 4X25          | O | 4 |   |  |
| 034   | 213062-1 | O RING 9                    |   | 1 |   |  |
| 035   | 256491-5 | SHOULDER PIN 5              |   | 1 | * |  |
| 035-1 | 256499-9 | SHOULDER PIN 5              | S | 1 | * |  |
| 035-2 | 256491-5 | SHOULDER PIN 5              | S | 1 |   |  |
| 036   | 263002-9 | RUBBER PIN 4                |   | 1 |   |  |
| 037   | 210067-2 | BALL BEARING 6000ZZ         |   | 1 |   |  |
| 038   | 227491-2 | SPIRAL BEVEL GEAR 53 A      |   | 1 |   |  |
| 039   | 265120-9 | PAN HEAD SCREW M5X16        |   | 3 |   |  |
| 040   | 285724-1 | BEARING RETAINER 50         |   | 1 |   |  |
| 041   | 211285-5 | BALL BEARING 6203DDW        |   | 1 |   |  |
| 042   | 213760-7 | O RING 78                   |   | 1 |   |  |
| 043   | 317988-0 | BEARING BOX                 |   | 1 | * |  |
| 043-1 | 318377-2 | BEARING BOX                 | S | 1 |   |  |
| 044   | 265541-5 | HEX. SOCKET HEAD BOLT M6X22 |   | 4 |   |  |
| 045   | 154682-1 | SPINDLE COMPLETE            |   | 1 | * |  |
| C10   | 345629-8 | LABYRINTH RING 25           |   | 1 | * |  |
| 045-1 | 158206-5 | SPINDLE COMPLETE            | S | 1 |   |  |
| C10   | 345629-8 | LABYRINTH RING 25           |   | 1 |   |  |
| 046   | 265158-4 | +PAN HEAD SCREW M8X25       |   | 1 | * |  |
| 046-1 | 265198-2 | +PAN HEAD SCREW M8X25       | < | 1 |   |  |
| 047   | 154672-4 | WHEEL COVER 230 COMPLETE    |   | 1 | * |  |
| D10   |          | INC. 46                     |   |   |   |  |
| 047-1 | 122891-0 | WHEEL COVER 230K ASSEMBLY   | S | 1 |   |  |
| C10   | 213017-6 | O RING 6                    |   | 1 | * |  |
| C11   | 213775-4 | O-RING 7                    | O | 1 |   |  |
| D10   |          | INC. 46                     |   |   |   |  |
| 048   | 224298-7 | INNER FLANGE 42             |   | 1 | * |  |
| 048-1 | 224415-9 | INNER FLANGE 42             | < | 1 |   |  |
| 049   | 224543-0 | LOCK NUT 14-45              |   | 1 |   |  |

|       |          |                                |   |   |   |  |
|-------|----------|--------------------------------|---|---|---|--|
| 050   | 233946-7 | RING SPRING 15                 |   | 1 |   |  |
| 051   | 819357-6 | CLEAR LABEL                    |   | 1 | * |  |
| 051-1 | 804Y42-4 | CLEAR LABEL                    | < | 1 | * |  |
| A01   | 152539-0 | GRIP 36 COMPLETE               |   | 1 |   |  |
| A02   | 782407-9 | LOCK NUT WRENCH 35             |   | 1 | * |  |
| A02-1 | 197610-3 | LOCK NUT WRENCH 35 SET         | O | 1 |   |  |
| F04   | 192227-7 | SUPER FLANGE                   |   | 1 |   |  |
| F26   | 194305-9 | LOCK NUT RELEASE SOCKET 35 SET |   | 1 |   |  |
| F45   | 191X44-6 | 180MM DUST COLLECT COVER K SET |   | 1 |   |  |
| 047-2 | 141P32-5 | WHEEL COVER 230K COMPLETE      | < | 1 |   |  |
| C11   | 213775-4 | O-RING 7                       | O | 1 |   |  |
| C20   | 8050A1-8 | CAUTION LABEL                  |   | 1 |   |  |
| D10   |          | INC. 46                        |   |   |   |  |
| 048   | 122444-5 | INNER FLANGE 47 ASS'Y          |   | 1 |   |  |
| A01-1 | 162264-5 | VIBRATION PROOF GRIP           | O | 1 |   |  |
| A06   | 122913-6 | WHEEL COVER 230CK ASSEMBLY     |   | 1 |   |  |
| C10   | 213017-6 | O RING 6                       |   | 1 |   |  |
| C20   | 265198-2 | +PAN HEAD SCREW M8X25          |   | 1 |   |  |
| 047-2 | 122913-6 | WHEEL COVER 230CK ASSEMBLY     | O | 1 | * |  |
| C10   | 213017-6 | O RING 6                       |   | 1 | * |  |
| 047-3 | 122891-0 | WHEEL COVER 230K ASSEMBLY      | O | 1 | * |  |
| C10   | 213017-6 | O RING 6                       |   | 1 | * |  |
| C11   | 213775-4 | O-RING 7                       | O | 1 | * |  |
| D10   |          | INC. 46                        |   |   |   |  |
| 047-4 | 141P32-5 | WHEEL COVER 230K COMPLETE      | < | 1 |   |  |
| C11   | 213775-4 | O-RING 7                       | O | 1 |   |  |
| C20   | 8050A1-8 | CAUTION LABEL                  |   | 1 |   |  |
| D10   |          | INC. 46                        |   |   |   |  |
| A03   | 824755-1 | PLASTIC CARRYING CASE          |   | 1 | * |  |
| C10   | 163455-1 | LATCH                          |   | 2 | * |  |
| A03-1 | 824878-5 | PLASTIC CARRYING CASE          | O | 1 | * |  |
| C10   | 163455-1 | LATCH                          |   | 2 | * |  |
| A03-2 | 824958-7 | PLASTIC CARRYING CASE          | < | 1 |   |  |
| C10   | 163455-1 | LATCH                          |   | 2 |   |  |
| A04   | 804899-3 | GA9020SFK2 MODEL NO. LABEL     |   | 1 |   |  |
| A05   | P-44155  | DIAMOND WHEEL 230MM            |   | 1 | * |  |
| A05-1 | D-61145  | DIAMOND WHEEL 230X22.23MM SEG  | O | 1 |   |  |
| A04   | 803971-8 | GA9020SFK MODEL NO. LABEL      |   | 1 |   |  |
| A04   | 804265-4 | GA9020SFK1 MODEL NO. LABEL     |   | 1 |   |  |

Please state Parts No. when your order.

Print Date 02/19/2024