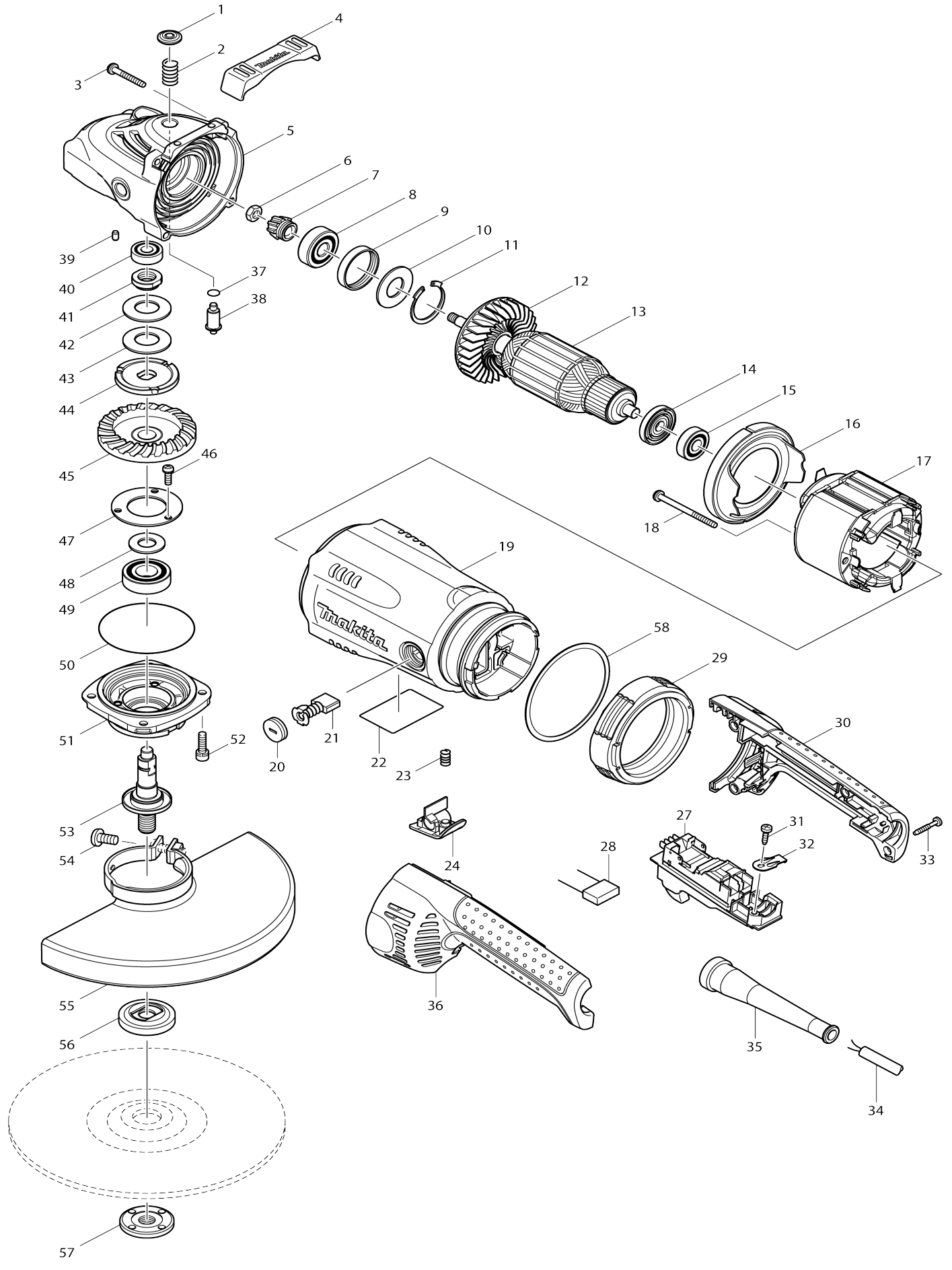


# Model No.GA9030 ANGLE GRINDER 230MM



Model No.GA9030 ANGLE GRINDER 230MM

Item No.	Parts No.	Description	Interchangability	Q'ty	New/Old	Note1	Note2
001	419133-4	PIN CAP		1			
002	233292-8	COMPRESSION SPRING 12		1			
003	266012-5	TAPPING SCREW 5X35		4	*		
003-1	265B72-6	TAPPING SCREW 5X35	O	4			
004	419144-9	BUMPER		1			
005	154685-5	GEAR HOUSING COMPLETE		1	*		
C10	262118-7	FELT RING 18		1	*		
005-1	154685-5	GEAR HOUSING COMPLETE	O	1	*		
C10	262118-7	FELT RING 18		1	*		
C20	419134-2	LABYRINTH PLATE		1	*		
005-2	154685-5	GEAR HOUSING COMPLETE	O	1	*		
C10	262118-7	FELT RING 18		1	*		
005-3	142754-4	GEAR HOUSING COMPLETE	<	1			
C10	262118-7	FELT RING 18		1			
006	252194-9	HEX. NUT M8		1			
007	227490-4	SPIRAL BEVEL GEAR 12		1			
008	211132-0	BALL BEARING 6301DDW		1			
009	262085-6	RUBBER RING 38		1			
010	267299-2	FLAT WASHER 20		1			
011	962211-4	RETAINING RING R-42		1			
012	240081-4	FAN 80		1			
013	516963-5	ARMATURE ASS'Y 220V		1	*		
D10		INC. 12,14,15					
013-1	517828-4	ARMATURE ASS'Y 220V	<	1			
D10		INC. 12,14,15					
014	681630-2	INSULATION WASHER		1			
015	210075-3	BALL BEARING 6200DDW		1	*		
015-1	211087-9	BALL BEARING 6200DDW	<	1			
016	419135-0	BAFFLE PLATE		1			
017	526168-9	FIELD ASS'Y 220V		1	*		
C10	654197-3	RING TERMINAL		2	*		
C20	654502-4	CONNECTOR P-2		2	*		
017-1	526193-0	FIELD ASS'Y 220-240V	O	1			
C10	654197-3	RING TERMINAL		2			
C20	654502-4	CONNECTOR P-2		2			
018	266029-8	TAPPING SCREW 5X65		2			
019	154786-9	MOTOR HOUSING COMPLETE		1			
C10	643712-8	BRUSH HOLDER		2			
020	643700-5	BRUSH HOLDER CAP 7-18		2			
021	191957-7	A.C. CARBON BRUSH CB-204		1	*		
021-1	194992-4	CARBON BRUSH SET CB-204	O	1			
022	862125-6	GA9030 NAME PLATE		1			
023	233375-4	COMPRESSION SPRING 7		1			
024	419260-7	LOCK BUTTON		1			
027	651173-8	SWITCH 1267.5113		1	*		
027-1	650100-2	SWITCH TG08-1300-011	O	1	*		
027-2	650102-8	SWITCH TG08-1200-011	<	1			

028	645088-9	NOISE SUPPRESSOR		1		
029	421936-4	VIBRATION PROOF RUBBER		1		
030	188123-5	HANDLE SET		1		
C10	423350-0	SPONGE SHEET		1		
D10		INC. 36				
031	266192-7	TAPPING SCREW 4X14		1	*	
031-1	265B74-2	TAPPING SCREW 4X14	O	1		
032	687169-3	STRAIN RELIEF		1		
033	265999-8	TAPPING SCREW 4X25		4	*	
033-1	265B73-4	TAPPING SCREW 4X25	O	4		
034	665630-0	POWER SUPPLY CORD 1.5-2-2.5		1	*	
034-1	695107-1	POWER SUPPLY CORD 1.5-2-2.5	O	1		
035	682560-0	CORD GUARD 10		1		
036	188123-5	HANDLE SET		1		
C10	423350-0	SPONGE SHEET		1		
D10		INC. 30				
037	213062-1	O RING 9		1		
038	256491-5	SHOULDER PIN 5		1		
039	263002-9	RUBBER PIN 4		1		
040	210067-2	BALL BEARING 6000ZZ		1	*	
040-1	211061-7	BALL BEARING 6000LLB	<	1		
041	252429-8	NUT M15-23		1		
042	232163-6	CUP SPRING 20		1		
043	232163-6	CUP SPRING 20		1		
044	267798-4	LOCK WASHER		1		
045	227492-0	SPIRAL BEVEL GEAR 53C		1		
046	265120-9	PAN HEAD SCREW M5X16		3		
047	285724-1	BEARING RETAINER 50		1		
048	267167-9	FLAT WASHER 15		1		
049	211285-5	BALL BEARING 6203DDW		1	*	
049-1	211278-2	BALL BEARING 6203DDW	<	1		
050	213760-7	O RING 78		1		
051	317988-0	BEARING BOX		1	*	
051-1	318377-2	BEARING BOX	S	1		
052	265541-5	HEX. SOCKET HEAD BOLT M6X22		4		
053	154777-0	SPINDLE COMPLETE		1		
054	265158-4	+PAN HEAD SCREW M8X25		1	*	
054-1	265198-2	+PAN HEAD SCREW M8X25	<	1		
055	154672-4	WHEEL COVER 230 COMPLETE		1	*	
D10		INC. 54				
055-1	122891-0	WHEEL COVER 230K ASSEMBLY	S	1		
C10	213017-6	O RING 6		1	*	
C11	213775-4	O-RING 7	O	1		
D10		INC. 54				
056	122444-5	INNER FLANGE 47 ASS'Y		1		
057	224543-0	LOCK NUT 14-45		1		
058	261131-2	NYLON WASHER 89		1		
059	819357-6	CLEAR LABEL		1	*	
059-1	804Y42-4	CLEAR LABEL	<	1	*	
A01	152539-0	GRIP 36 COMPLETE		1	*	
A01-1	162264-5	VIBRATION PROOF GRIP	<	1		
A02	782407-9	LOCK NUT WRENCH 35		1	*	

A02-1	197610-3	LOCK NUT WRENCH 35 SET	O	1			
F04	192227-7	SUPER FLANGE		1			
F25	194305-9	LOCK NUT RELEASE SOCKET 35 S ET		1			

Please state Parts No. when your order.

Print Date 01/29/2024