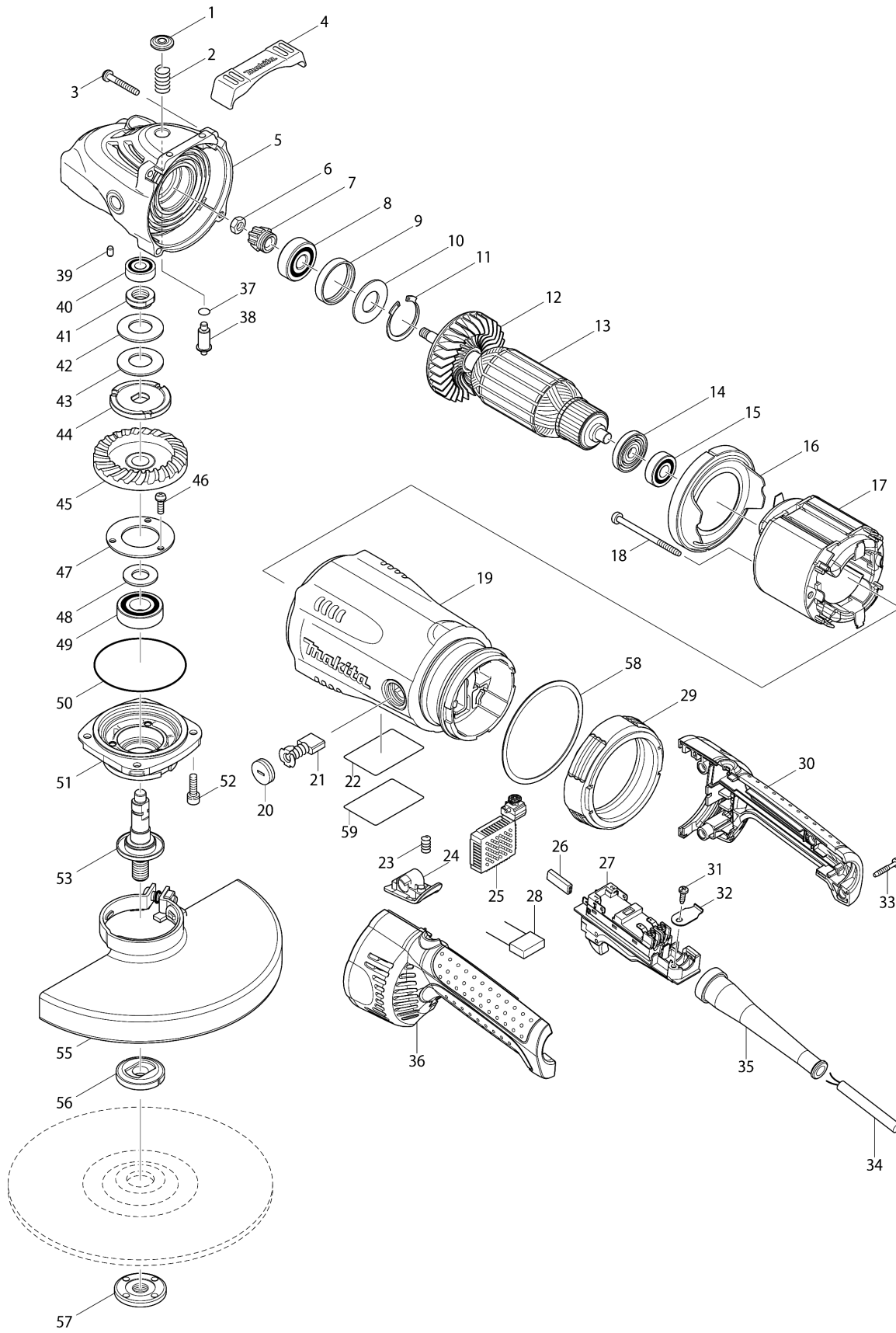


Model No.GA9040R 230MM ANGLE GRINDER



Model No.GA9040R 230MM ANGLE GRINDER

| Item | Parts No. | Description | I/C | Qty | New/Old | Opt. 1 | Opt. 2 | Note |
|-------|-----------|--------------------------|-----|-----|---------|--------|--------|------|
| 001 | 419133-4 | PIN CAP | | 1 | | | | |
| 002 | 233292-8 | COMPRESSION SPRING 12 | | 1 | | | | |
| 003 | 266012-5 | TAPPING SCREW 5X35 | | 4 | * | | | |
| 003-1 | 265B72-6 | TAPPING SCREW 5X35 | O | 4 | | | | |
| 004 | 419144-9 | BUMPER | | 1 | | | | |
| 005 | 154685-5 | GEAR HOUSING COMPLETE | | 1 | * | | | |
| C10 | 262118-7 | FELT RING 18 | | 1 | * | | | |
| 005-1 | 142754-4 | GEAR HOUSING COMPLETE | < | 1 | | | | |
| C10 | 262118-7 | FELT RING 18 | | 1 | | | | |
| 006 | 252194-9 | HEX. NUT M8 | | 1 | | | | |
| 007 | 227490-4 | SPIRAL BEVEL GEAR 12 | | 1 | | | | |
| 008 | 211132-0 | BALL BEARING 6301DDW | | 1 | | | | |
| 009 | 262085-6 | RUBBER RING 38 | | 1 | | | | |
| 010 | 267299-2 | FLAT WASHER 20 | | 1 | | | | |
| 011 | 962211-4 | RETAINING RING R-42 | | 1 | | | | |
| 012 | 240081-4 | FAN 80 | | 1 | | | | |
| 013 | 517833-1 | ARMATURE ASS'Y 220V | | 1 | | | | |
| D10 | | INC. 12,14,15 | | | | | | |
| 014 | 681630-2 | INSULATION WASHER | | 1 | | | | |
| 015 | 211087-9 | BALL BEARING 6200DDW | | 1 | | | | |
| 016 | 419135-0 | BAFFLE PLATE | | 1 | | | | |
| 017 | 526223-7 | FIELD ASSEMBLY 220-240V | | 1 | | | | |
| C10 | 654197-3 | RING TERMINAL | | 2 | | | | |
| C20 | 654502-4 | CONNECTOR P-2 | | 2 | | | | |
| 018 | 266059-9 | TAPPING SCREW 5X75 | | 2 | | | | |
| 019 | 154786-9 | MOTOR HOUSING COMPLETE | | 1 | | | | |
| C10 | 643712-8 | BRUSH HOLDER | | 2 | | | | |
| 020 | 643700-5 | BRUSH HOLDER CAP 7-18 | | 2 | | | | |
| 021 | 191957-7 | A.C. CARBON BRUSH CB-204 | | 1 | | | | |
| 022 | 867542-5 | GA9040R NAME PLATE | | 1 | | | | |
| 023 | 233375-4 | COMPRESSION SPRING 7 | | 1 | | | | |
| 024 | 451630-4 | LOCK BUTTON | | 1 | | | | |
| 025 | 631946-5 | CONTROLLER | | 1 | * | | | |
| 025-1 | 620G50-7 | CONTROLLER | < | 1 | | | | |
| 026 | 686036-9 | RECEPTACLE SLEEVE | | 2 | | | | |
| 027 | 650107-8 | SWITCH TG08-2300-013 | | 1 | | | | |
| 028 | 645088-9 | NOISE SUPPRESSOR | | 1 | | | | |
| 029 | 421936-4 | VIBRATION PROOF RUBBER | | 1 | | | | |
| 030 | 188845-7 | HANDLE SET | | 1 | | | | |
| C10 | 423350-0 | SPONGE SHEET | | 1 | | | | |
| D10 | | INC. 36 | | | | | | |
| 031 | 266192-7 | TAPPING SCREW 4X14 | | 1 | * | | | |
| 031-1 | 265B74-2 | TAPPING SCREW 4X14 | O | 1 | | | | |
| 032 | 687169-3 | STRAIN RELIEF | | 1 | | | | |
| 033 | 265999-8 | TAPPING SCREW 4X25 | | 4 | * | | | |

Please order the parts with part number.

Print Date 19/2/2024

Model No.GA9040R 230MM ANGLE GRINDER

| Item | Parts No. | Description | I/C | Qty | New/Old | Opt. 1 | Opt. 2 | Note |
|-------|-----------|-----------------------------|-----|-----|---------|--------|--------|------|
| 033-1 | 265B73-4 | TAPPING SCREW 4X25 | O | 4 | | | | |
| 034 | 695107-1 | POWER SUPPLY CORD 1.5-2-2.5 | | 1 | | | | |
| 035 | 682560-0 | CORD GUARD 10 | | 1 | | | | |
| 036 | 188845-7 | HANDLE SET | | 1 | | | | |
| C10 | 423350-0 | SPONGE SHEET | | 1 | | | | |
| D10 | | INC. 30 | | | | | | |
| 037 | 213062-1 | O RING 9 | | 1 | | | | |
| 038 | 256491-5 | SHOULDER PIN 5 | | 1 | | | | |
| 039 | 263002-9 | RUBBER PIN 4 | | 1 | | | | |
| 040 | 211061-7 | BALL BEARING 6000LLB | | 1 | | | | |
| 041 | 252429-8 | NUT M15-23 | | 1 | | | | |
| 042 | 232163-6 | CUP SPRING 20 | | 1 | | | | |
| 043 | 232163-6 | CUP SPRING 20 | | 1 | | | | |
| 044 | 267798-4 | LOCK WASHER | | 1 | | | | |
| 045 | 227492-0 | SPIRAL BEVEL GEAR 53C | | 1 | | | | |
| 046 | 265120-9 | PAN HEAD SCREW M5X16 | | 3 | | | | |
| 047 | 285724-1 | BEARING RETAINER 50 | | 1 | | | | |
| 048 | 267167-9 | FLAT WASHER 15 | | 1 | | | | |
| 049 | 211278-2 | BALL BEARING 6203DDW | | 1 | | | | |
| 050 | 213760-7 | O RING 78 | | 1 | | | | |
| 051 | 318377-2 | BEARING BOX | | 1 | | | | |
| 052 | 265541-5 | HEX. SOCKET HEAD BOLT M6X22 | | 4 | | | | |
| 053 | 154777-0 | SPINDLE COMPLETE | | 1 | | | | |
| C10 | 345629-8 | LABYRINTH RING 25 | | 1 | | | | |
| 055 | 122891-0 | WHEEL COVER 230K ASSEMBLY | | 1 | * | | | |
| C10 | 213017-6 | O RING 6 | | 1 | * | | | |
| C11 | 213775-4 | O-RING 7 | O | 1 | * | | | |
| C20 | 265198-2 | +PAN HEAD SCREW M8X25 | | 1 | * | | | |
| 055-1 | 141P32-5 | WHEEL COVER 230K COMPLETE | < | 1 | * | | | |
| C11 | 213775-4 | O-RING 7 | O | 1 | * | | | |
| C20 | 265198-2 | +PAN HEAD SCREW M8X25 | | 1 | * | | | |
| C30 | 8050A1-8 | CAUTION LABEL | | 1 | * | | | |
| 055-2 | 122891-0 | WHEEL COVER 230K ASSEMBLY | < | 1 | | | | |
| C11 | 213775-4 | O-RING 7 | O | 1 | | | | |
| C20 | 265198-2 | +PAN HEAD SCREW M8X25 | | 1 | | | | |
| 056A | 224415-9 | INNER FLANGE 42 | | 1 | | | | |
| 056B | 122444-5 | INNER FLANGE 47 ASS'Y | | 1 | | | | |
| 057 | 224543-0 | LOCK NUT 14-45 | | 1 | | | | |
| 058 | 261131-2 | NYLON WASHER 89 | | 1 | | | | |
| 059 | 819357-6 | CLEAR LABEL | | 1 | * | | | |
| 059-1 | 804Y42-4 | CLEAR LABEL | < | 1 | * | | | |
| A01 | 162264-5 | VIBRATION PROOF GRIP | | 1 | | | | |
| A02 | 782407-9 | LOCK NUT WRENCH 35 | | 1 | * | | | |

Please order the parts with part number.

Print Date 19/2/2024

Model No.GA9040R 230MM ANGLE GRINDER

| Item | Parts No. | Description | I/C | Qty | New/Old | Opt. 1 | Opt. 2 | Note |
|-------|-----------|--------------------------------|-----|-----|---------|--------|--------|------|
| A02-1 | 197610-3 | LOCK NUT WRENCH 35 SET | O | 1 | | | | |
| A03 | 122913-6 | WHEEL COVER 230CK ASSEMBLY | | 1 | * | | | |
| C10 | 213017-6 | O RING 6 | | 1 | * | | | |
| C20 | 265198-2 | +PAN HEAD SCREW M8X25 | | 1 | * | | | |
| F45 | 191X44-6 | 180MM DUST COLLECT COVER K SET | | 1 | | | | |

Please order the parts with part number.

Print Date 19/2/2024