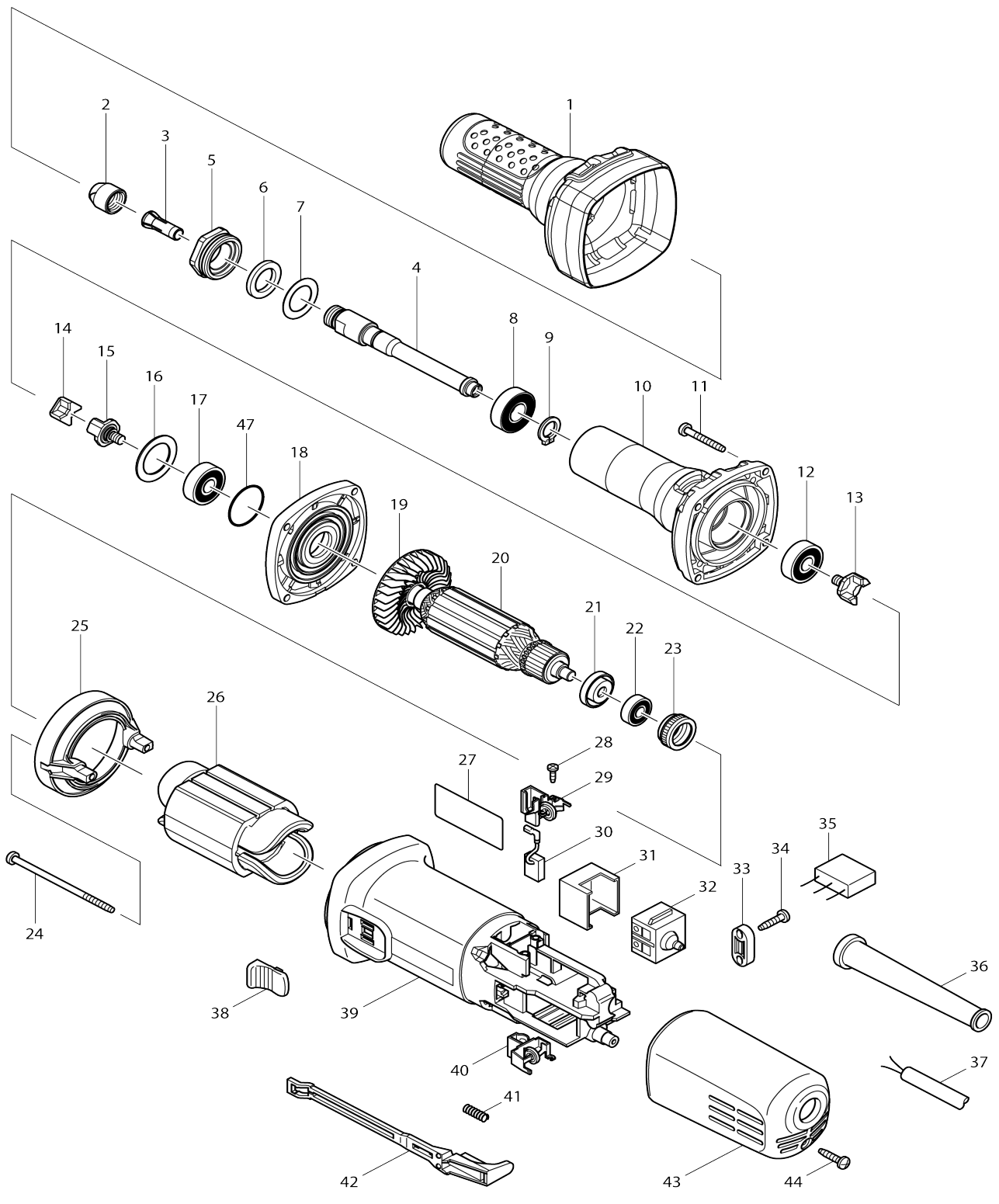


# Model No.GD0601 DIE GRINDER



Model No.GD0601 DIE GRINDER

Item No.	Parts No.	Description	Interchangability	Q'ty	New/Old	Note1	Note2
001	421943-7	Insulation cover (black)		1			
002	763664-8	COLLET NUT 6		1			
003	763620-8	COLLET CONE 6MM		1	*		
003-1	763620-8	COLLET CONE 6MM	O	1			
004	324638-0	SPINDLE		1			
005	317999-5	BEARING RETAINER		1			
006	443124-3	FELT RING 17		1			
007	267329-9	FLAT WASHER 18		1			
008	210106-8	BALL BEARING 6001LLB		1			
009	961052-5	RETAINING RING (EXT) S-12		1			
010	318000-9	BARREL		1			
011	266361-0	TAPPING SCREW 4X30		4			
012	210042-8	BALL BEARING 629LLB		1			
013	324639-8	COUPLING		1			
014	421942-9	SPACER		1			
015	324639-8	COUPLING		1			
016	267126-3	FLAT WASHER 22		1			
017	210042-8	BALL BEARING 629LLB		1			
018	317821-6	GEAR HOUSING COVER		1			
019	240076-7	FAN 56		1			
020	515679-9	Armature assembly 240V		1			
D10		INC. 19,21,22					
021	681636-0	INSULATION WASHER		1			
022	210034-7	BALL BEARING 607LLB		1			
023	421868-5	LABYRINTH RUBBER RING 19		1	*		
023-1	422768-2	LABYRINTH RUBBER RING19	<	1			
024	266345-8	TAPPING SCREW 4X80		2			
025	418770-1	BAFFLE PLATE		1	*		
025-1	457791-8	BAFFLE PLATE	<	1			
026	621724-1	Field 230-240V		1			
027	863144-5	Name plate GD0601		1			
028	266007-8	TAPPING SCREW BIND PT 3X10		4			
029	643760-7	BRUSH HOLDER		1			
030	194074-2	CARBON BRUSH CB-325		1			
031	418729-8	SPACER		1			
032	650560-8	SWITCH DPX-2110-R		1	*		
032-1	651947-7	SWITCH 1247.0302	O	1			
033	687124-5	STRAIN RELIEF		1			
034	266326-2	TAPPING SCREW 4X18		2			
035	645233-6	NOISE SUPPRESSOR		1			
036	682559-5	CORD GUARD 8		1			
037	665394-6	POWER SUPPLY CORD 1.0-2-2.5		1			
038	419566-3	SWITCH KNOB		1			
039	418725-6	MOTOR HOUSING		1	*		
039-1	418725-6	MOTOR HOUSING	<	1			
040	643760-7	BRUSH HOLDER		1			
041	233121-5	COMPRESSION SPRING 4		1			

042	418728-0	SWITCH LEVER B		1			
043	418726-4	REAR COVER		1	*		
043-1	413A32-8	REAR COVER	<	1			
044	266326-2	TAPPING SCREW 4X18		1			
047	213445-5	O-RING 26		1			
A01	781039-9	WRENCH 13		2			

Please state Parts No. when your order.

Print Date 23.10.2023