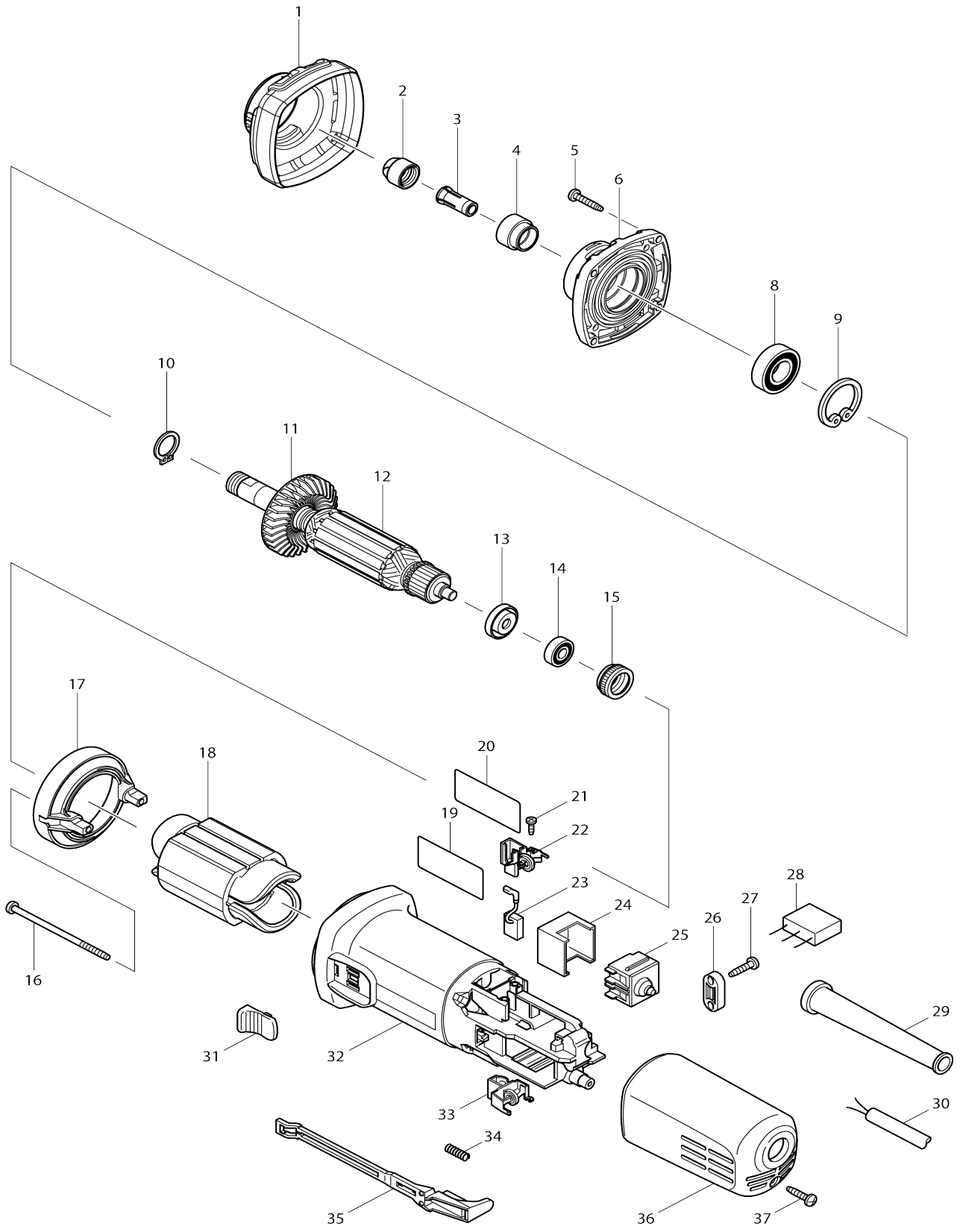


# Model No.GD0602 DIE GRINDER



Model No.GD0602 DIE GRINDER

Item No.	Parts No.	Description	Interchangability	Q'ty	New/Old	Note1	Note2
001	424164-0	Insulation cover (black)		1			
002	763668-0	COLLET NUT		1			
003	763670-3	COLLET CONE 6		1			
004	324995-6	BUSH 15		1			
005	266324-6	TAPPING SCREW 4X22		4			
006	140091-0	BEARING BOX COMPLETE		1			
008	211237-6	BALL BEARING 6002LLB		1			
009	962151-6	RETAINING RING R-32		1			
010	961055-9	RETAINING RING S-15		1			
011	240111-1	Fan 56		1			
012	515744-4	Armature assembly 240V		1			
D10		INC. 11,13,14					
013	681636-0	INSULATION WASHER		1			
014	210034-7	BALL BEARING 607LLB		1			
015	421868-5	LABYRINTH RUBBER RING 19		1	*		
015-1	422768-2	LABYRINTH RUBBER RING19	<	1			
016	266345-8	TAPPING SCREW 4X80		2			
017	418770-1	BAFFLE PLATE		1	*		
017-1	457791-8	BAFFLE PLATE	<	1			
018	621724-1	Field 230-240V		1			
019	866084-6	Name plate GD0602		1			
020	819329-1	CLEAR LABEL		1	*		
020-1	892295-7	CLEAR LABEL	<	1			
021	266007-8	TAPPING SCREW BIND PT 3X10		4			
022	643760-7	BRUSH HOLDER		1			
023	194074-2	CARBON BRUSH CB-325		1			
024	418729-8	SPACER		1			
025	650560-8	SWITCH DPX-2110-R		1	*		
025-1	651947-7	SWITCH 1247.0302	O	1			
026	687124-5	STRAIN RELIEF		1			
027	266326-2	TAPPING SCREW 4X18		2			
028	645233-6	NOISE SUPPRESSOR		1			
029	682559-5	CORD GUARD 8		1			
030	665394-6	POWER SUPPLY CORD 1.0-2-2.5		1			
031	419566-3	SWITCH KNOB		1			
032	418725-6	MOTOR HOUSING		1			
033	643760-7	BRUSH HOLDER		1			
034	233121-5	COMPRESSION SPRING 4		1			
035	418728-0	SWITCH LEVER B		1			
036	418726-4	REAR COVER		1	*		
036-1	413A32-8	REAR COVER	<	1			
037	266326-2	TAPPING SCREW 4X18		1			
A01	781039-9	WRENCH 13		2			

Please state Parts No. when your order.

Print Date 23.10.2023