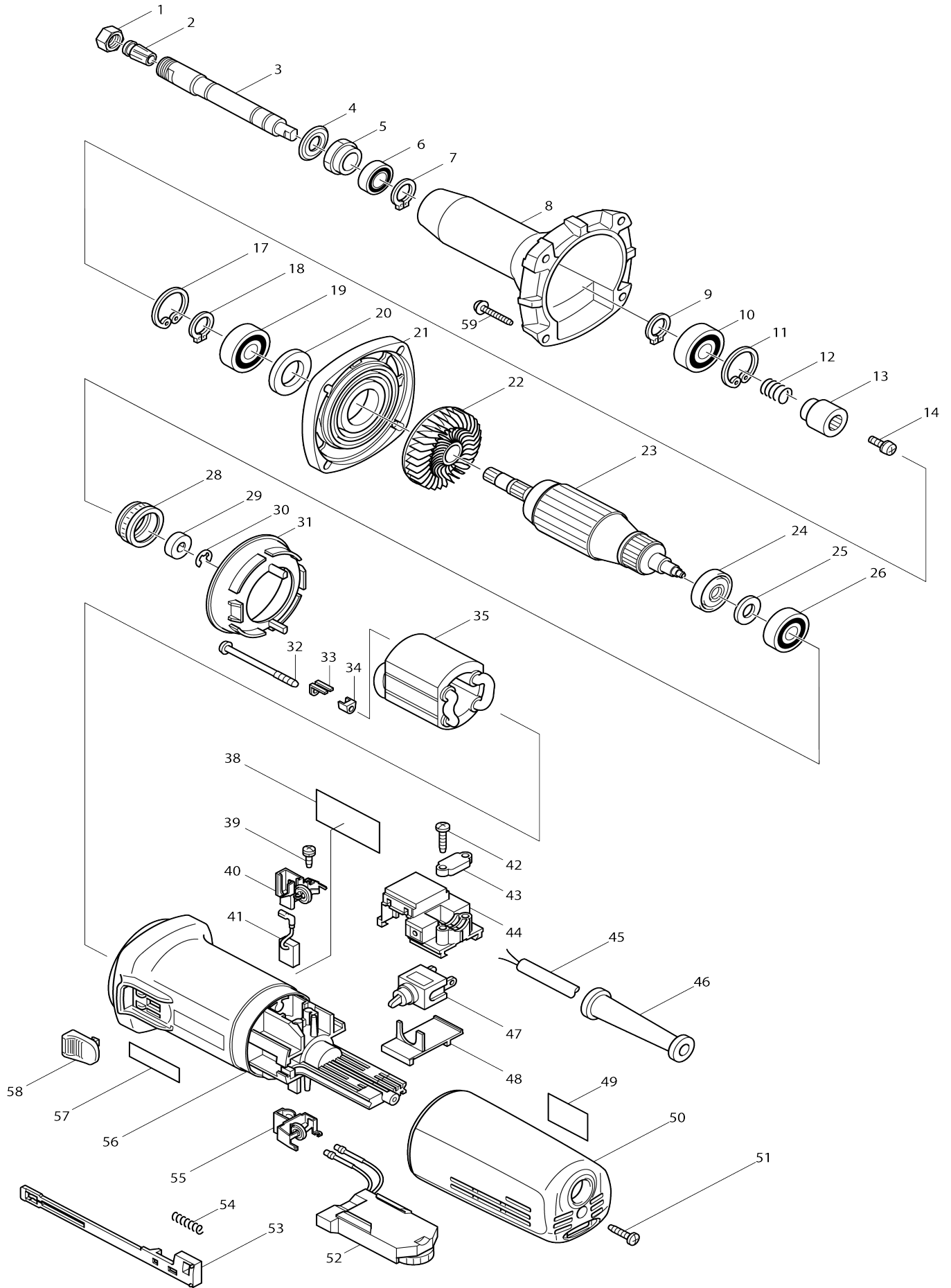


# Model No.GD0800C DIE GRINDER



# Model No.GD0800C DIE GRINDER

Item No.	Parts No.	Description	Interchangability	Q'ty	New/Old	Note1	Note2
001	763645-2	COLLET NUT		1			
002	193012-1	COLLET CONE 6 SET		1			
C10	763646-0	COLLET CONE 6		1			
D10		INC. 1					
003	324042-3	SPINDLE		1			
004	213209-7	OIL SEAL 16		1			
005	285700-5	BEARING RETAINER		1			
006	211141-9	BALL BEARING 6901LLB		1			
007	961052-5	RETAINING RING (EXT) S-12		1			
008	317368-0	BARREL		1			
009	961052-5	RETAINING RING (EXT) S-12		1			
010	211142-7	BALL BEARING 6001LLB		1	*		
010-1	211148-5	BALL BEARING 6001ZZ	<	1			
011	962106-1	RETAINING RING R-28		1			
012	233901-9	LOCK SPRING 12		1			
013	323989-8	COUPLING		1			
014	265082-1	PAN HEAD SCREW M4X8		1			
017	962106-1	RETAINING RING R-28		1			
018	961052-5	RETAINING RING (EXT) S-12		1			
019	211142-7	BALL BEARING 6001LLB		1	*		
019-1	211148-5	BALL BEARING 6001ZZ	<	1			
020	253084-9	FLAT WASHER 12		1			
021	317367-2	BEARING BOX		1			
022	240036-9	FAN 57		1			
023B_	515194-3	ARMATURE ASS'Y 230-240V		1	*		
D10		INC. 22,24-26					
023B1	515219-3	ARMATURE ASS'Y 240V	S	1			
D10		INC. 22,24-26					
024	681656-4	INSULATION WASHER		1			
025	253823-7	FLAT WASHER 7		1			
026	210023-2	BALL BEARING 627DDW		1			
028	421770-2	LABYRINTH RUBBER RING 22		1			
029	688117-5	MAGNET SLEEVE		1			
030	961011-9	STOP RING E-4		1	*		
030-1	259039-2	SELF LOCK 6	S	1			
031	413076-2	BAFFLE PLATE		1			
032	266259-1	TAPPING SCREW 4X60		2			
033	344871-8	RETAINER		2			
034	417237-6	INSULATION COVER		2	*		
035B_	626524-4	FIELD 230-240V		1	*		
035B1	621B39-8	FIELD 230-240V	S	1			
038	852410-5	NAME PLATE GD0800C		1	*		
038-1	814507-2	NAME PLATE GD0800C	<	1			
039	266256-7	TAPPING SCREW PT3X10		4			
040	643762-3	BRUSH HOLDER		1	*		
040-1	643760-7	BRUSH HOLDER	O	1			
041	191974-7	A.C. CARBON BRUSH CB-310		1	*		

041-1	191978-9	A.C. CARBON BRUSH CB-318	X	1		
042	265995-6	TAPPING SCREW 4X18		2		
043A_	687052-4	STRAIN RELIEF		1		
044A_	632945-0	SWITCH BLOCK		1		
045E_	665394-6	POWER SUPPLY CORD 1.0-2-2.5		1		
046A_	682559-5	CORD GUARD 8		1		
047	651418-4	SWITCH ST115A-40		1	*	
047-1	651418-4	SWITCH ST115A-40	O	1		
048	687113-0	COVER		1		
049	816800-6	INDICATION LABEL		1		
050	417185-9	REAR COVER		1		
051	265995-6	TAPPING SCREW 4X18		1		
052A_	631391-4	CONTROLLER		1		
053	417187-5	SWITCH LEVER		1		
054	233071-4	COMPRESSION SPRING 4		1		
055	643761-5	BRUSH HOLDER		1	*	
055-1	643974-8	BRUSH HOLDER	O	1		
056	417184-1	MOTOR HOUSING		1	*	
056-1	183406-8	MOTOR HOUSING	S	1	*	
D10		INC. 57				
056-2	417812-8	MOTOR HOUSING	<	1		
057	819720-3	MAKITA LABEL		1	*	
058	417188-3	SWITCH KNOB		1	*	
058-1	417813-6	SWITCH KNOB	<	1		
059	265999-8	TAPPING SCREW 4X25		4		
060	800092-7	INDICATION LABEL		1		
A01	781203-2	WRENCH 13		1		
A02	781206-6	WRENCH 19		1		
A03	192985-5	SIDE HANDLE SET		1		
C10	152521-9	GRIP 36 COMPLETE		1	*	
C11	153503-4	GRIP 36 COMPLETE	O	1		
C20	415485-1	GRIP BASE		1		
C30	921919-9	HEX. BOLT M8X110		1		
F04	192988-9	COLLET CONE 8 SET		1		
C10	763649-4	COLLET CONE 8		1		
F05	193011-3	COLLET CONE 3 SET		1		
C10	763647-8	COLLET CONE		1		

Please state Parts No. when your order.

Print Date 23.10.2023