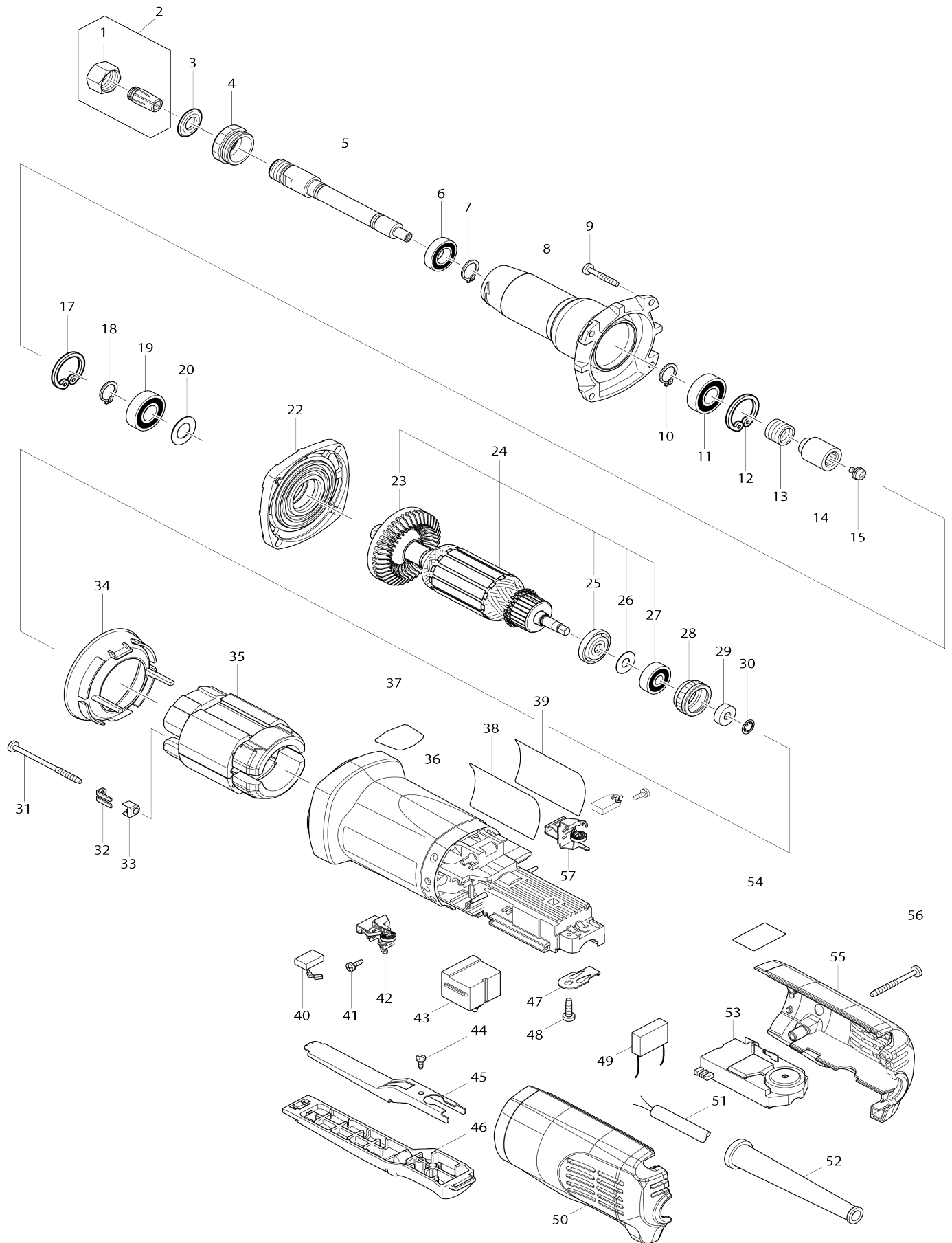


Model No.GD0801C DIE GRINDER



Model No.GD0801C DIE GRINDER

Item No.	Parts No.	Description	Interchangability	Q'ty	New/Old	Note1	Note2
001	763645-2	COLLET NUT		1			
002	763646-0	COLLET CONE 6		1	*		
002-1	193012-1	COLLET CONE 6 SET	<	1			
C10	763646-0	COLLET CONE 6		1			
D10		INC. 1					
003	213209-7	OIL SEAL 16		1			
004	285700-5	BEARING RETAINER		1			
005	324042-3	SPINDLE		1			
006	211141-9	BALL BEARING 6901LLB		1			
007	961052-5	RETAINING RING (EXT) S-12		1			
008	317368-0	BARREL		1			
009	265999-8	TAPPING SCREW 4X25		4			
010	961052-5	RETAINING RING (EXT) S-12		1			
011	211148-5	BALL BEARING 6001ZZ		1			
012	962106-1	RETAINING RING R-28		1			
013	233901-9	LOCK SPRING 12		1			
014	323989-8	COUPLING		1			
015	265082-1	PAN HEAD SCREW M4X8		1			
017	962106-1	RETAINING RING R-28		1			
018	961052-5	RETAINING RING (EXT) S-12		1			
019	211148-5	BALL BEARING 6001ZZ		1			
020	253084-9	FLAT WASHER 12		1			
022	317367-2	BEARING BOX		1			
023	240036-9	FAN 57		1			
024	515409-8	ARMATURE ASS'Y 240V		1	*		
D10		INC. 23,25-27					
024-1	510306-3	ARMATURE ASS'Y 240V	<	1			
D10		INC. 23,25-27					
025	681656-4	INSULATION WASHER		1			
026	253823-7	FLAT WASHER 7		1			
027	210023-2	BALL BEARING 627DDW		1	*		
027-1	210045-2	BALL BEARING 627DDW	<	1			
028	421770-2	LABYRINTH RUBBER RING 22		1			
029	688117-5	MAGNET SLEEVE		1			
030	259039-2	SELF LOCK 6		1			
031	266259-1	TAPPING SCREW 4X60		2			
032	344871-8	RETAINER		2			
033	417237-6	INSULATION COVER		2	*		
034	455367-5	BAFFLE PLATE		1			
035	626669-8	FIELD 240V		1	*		
035-1	621B54-2	FIELD 240V	S	1			
036	455358-6	MOTOR HOUSING		1			
037	813900-3	SJS MARK LABEL		1	*		
038	850F20-8	GD0801C NAME PLATE		1			
039	819356-8	CLEAR LABEL		1			
040	191978-9	A.C. CARBON BRUSH CB-318		1			
041	266256-7	TAPPING SCREW PT3X10		4			

042	643760-7	BRUSH HOLDER		1		
043	650579-7	SWITCH 1246.3223		1		
044	265954-0	TAPPING SCREW BIND PT3X8		1		
045	345504-8	PLATE		1		
046	154584-1	SWITCH LEVER B COMPLETE		1		
047	687169-3	STRAIN RELIEF		1		
048	266385-6	TAPPING SCREW 4X14		1	*	
048-1	265B74-2	TAPPING SCREW 4X14	O	1		
049	645089-7	NOISE SUPPRESSOR		1		
050	188365-1	REAR COVER SET		1	*	
D10		INC. 55				
050-1	183U29-8	REAR COVER SET	<	1		
D10		INC. 55				
051	665394-6	POWER SUPPLY CORD 1.0-2-2.5		1		
052	682559-5	CORD GUARD 8		1		
053	620340-6	CONTROLLER		1		
054	804Y15-7	INDICATION LABEL		1		
055	188365-1	REAR COVER SET		1	*	
D10		INC. 50				
055-1	183U29-8	REAR COVER SET	<	1		
D10		INC. 50				
056	266048-4	TAPPING SCREW 4X40		3		
057	643771-2	BRUSH HOLDER		1		
A01	192985-5	SIDE HANDLE SET		1		
C10	153503-4	GRIP 36 COMPLETE		1		
C20	415485-1	GRIP BASE		1		
C30	921919-9	HEX. BOLT M8X110		1		
A02	781203-2	WRENCH 13		1		
A03	781206-6	WRENCH 19		1		
F04	192988-9	COLLET CONE 8 SET		1		
C10	763649-4	COLLET CONE 8		1		
F05	193011-3	COLLET CONE 3 SET		1		
C10	763647-8	COLLET CONE		1		

Please state Parts No. when your order.

Print Date 01/19/2024