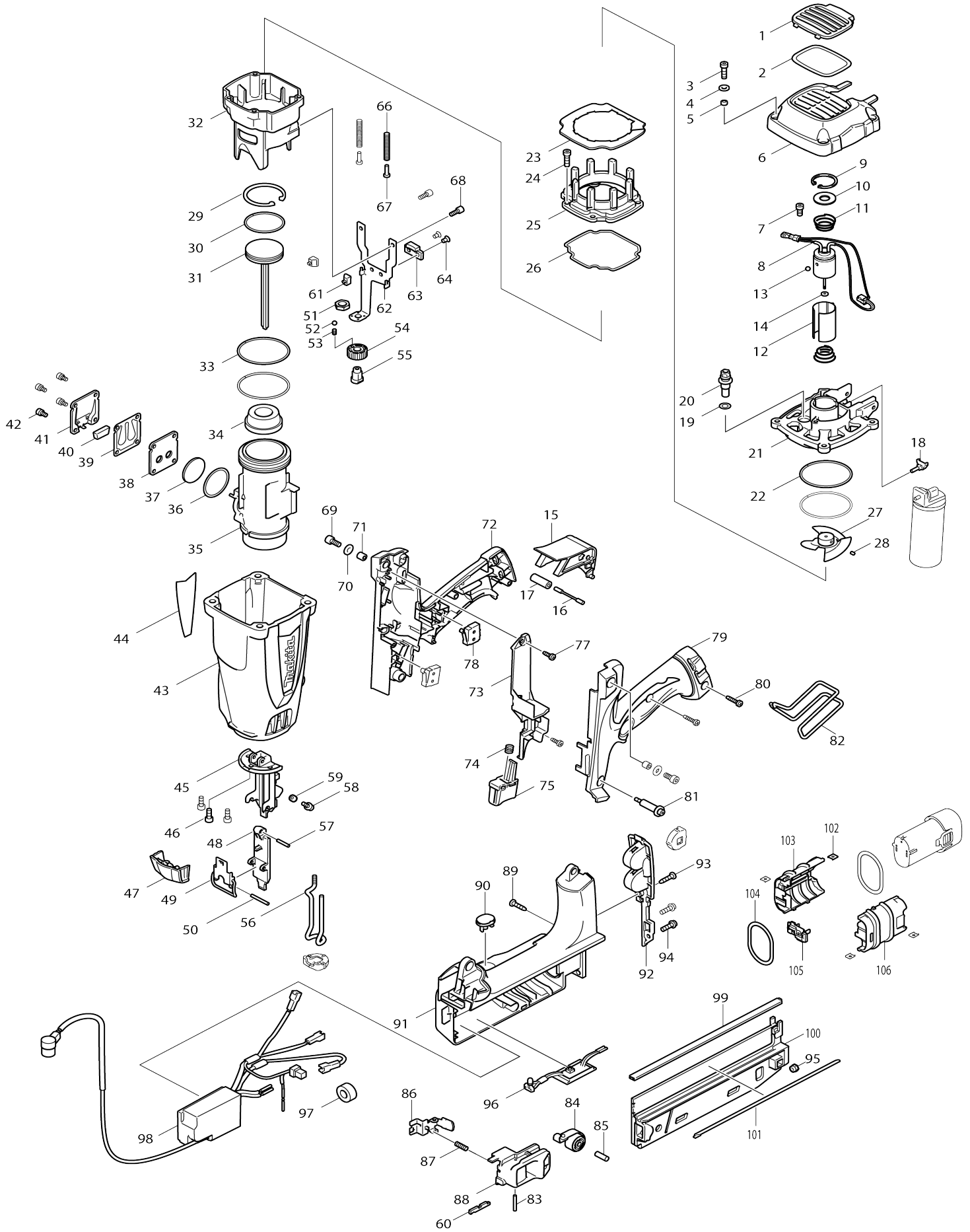


Model No.GF600 CORDLESS BRAD NAILER



Model No.GF600 CORDLESS BRAD NAILER

Item No.	Parts No.	Description	Interchangability	Q'ty	New/Old	Note1	Note2
001	452900-4	FILTER COVER		1			
002	162327-7	FILTER		1			
003	922127-5	HEX. SOCKET HEAD BOLT M4X16		4			
004	941051-3	FLAT WASHER 4		4			
005	257754-2	SLEEVE 4		4			
006	452899-3	TOP CAP		1			
007	266273-7	HEX. SOCKET HEAD BOLT M4X12		1			
008	629925-5	DC MOTOR		1			
009	962103-7	RETAINING RING R-24		1			
010	253024-7	FLAT WASHER 10		1			
011	233969-5	C COMPRESSION SPRING 12-18		2			
012	454002-2	MOTOR SLEEVE		1			
013	216019-1	STEEL BALL 3		1			
014	261141-9	EPOXY WASHER 2		1			
015	452904-6	ACTUATOR		1			
016	324976-0	SHOULDER PIN 4		1			
017	422044-4	RUBBER SLEEVE 9		1			
018	454003-0	STEM ADAPTER		1			
019	213026-5	O RING 7		1			
020	162326-9	SPARK PLUG		1			
021	318761-1	CYLINDER HEAD		1			
022	326081-9	CYLINDER RING 54		2			
023	423421-3	CHAMBER RUBBER PLATE		1			
024	922127-5	HEX. SOCKET HEAD BOLT M4X16		4			
025	318760-3	CHAMBER TOP		1			
026	424441-0	CHAMBER SEAL RING		1			
027	240129-2	FAN 52		1			
028	913904-6	SET SCREW (CUP POINT) M3X4		1			
029	962157-4	RETAINING RING R-40		1			
030	326080-1	PISTON RING 39		1			
031	141006-0	DRIVER COMPLETE		1			
032	318759-8	CHAMBER		1			
033	326081-9	CYLINDER RING 54		2			
034	424440-2	FRONT CUSHION		1			
035	318758-0	CYLINDER		1			
036	213492-6	O-RING 32		1			
037	352014-8	EXHAUST FILTER		1			
038	346481-7	EXHAUST PLATE		1			
039	346480-9	EXHAUST VALVE		1			
040	352015-6	SILENCER		1			
041	346482-5	EXHAUST COVER		1			
042	922106-3	HEX. SOCKET HEAD BOLT M4X8		4			
043	141209-6	HOUSING COMPLETE		1			
C10	893032-2	CAUTION LABEL		1			
044	896549-4	GF600 NAME PLATE		1			
045	310487-1	DRIVER GUIDE		1			
046	266797-3	HEX. SOCKET HEAD BOLT M4X12		3			

047	452902-0	LATCH COVER		1		
048	310488-9	DOOR		1		
049	163526-4	LATCH		1		
050	951072-7	SPRING PIN 3-24		1		
051	931403-6	HEX. NUT M8		1		
052	216019-1	STEEL BALL 3		1		
053	233491-2	COMPRESSION SPRING 2		1		
054	452909-6	ADJUSTER DIAL		1		
055	326076-2	ADJUSTER SHAFT		1		
056	326079-6	CONTACT TOP		1		
057	256104-8	PIN 3		1		
058	266273-7	HEX. SOCKET HEAD BOLT M4X12		1		
059	257754-2	SLEEVE 4		1		
060	346486-7	STOPPER		1		
061	424442-8	STOP RUBBER		2		
062	346483-3	ARM		1		
063	310507-1	ARM STOPPER		1		
064	266563-8	H.S. C.S. HEAD SCREW M4X6		2		
066	234219-1	COMPRESSION SPRING 5		2		
067	452905-4	SPRING BUSH		2		
068	922112-8	HEX. SOCKET HEAD BOLT M4X10		2		
069	922212-4	HEX. SOCKET HEAD BOLT M5X12		2		
070	941102-2	FLAT WASHER 5		2		
071	257539-6	SLEEVE 5		2		
072	187435-3	HANDLE SET		1		
D10		INC. 79				
073	452907-0	WIRE COVER		1		
074	231307-5	COMPRESSION SPRING 6		1		
075	452903-8	TRIGGER		1		
077	266020-6	TAPPING SCREW 4X12		2		
078	638642-6	SWITCH UNIT		2		
079	187435-3	HANDLE SET		1		
D10		INC. 72				
080	265995-6	TAPPING SCREW 4X18		2		
081	266694-3	SHOULDER H.SOCKET HEAD BOL T M4		1		
082	326077-0	HOOK		1		
083	256221-4	PIN 3		1		
084	141005-2	SPIRAL SPRING COMPLETE		1		
085	268225-4	PIN 5		1		
086	346485-9	PUSHER		1		
087	233285-5	COMPRESSION SPRING 4		1		
088	452901-2	PUSHER LEVER		1		
089	265995-6	TAPPING SCREW 4X18		1		
090	141004-4	SWITCH PLATE COMPLETE		1		
091	141003-6	MAGAZINE COVER COMPLETE		1		
C10	893826-5	CAUTION LABEL		1		
092	452898-5	MAGAZINE END		1		
093	265995-6	TAPPING SCREW 4X18		1		
094	915121-4	BINDING HEAD SCREW M4X14		2		
095	252126-6	HEX. LOCK NUT M4-7		2		
096	620095-3	LIGHT CIRCUIT		1	*	

096-1	620219-1	LIGHT CIRCUIT	<	1		
097	688131-1	LINE FILTER		1	*	
097-1	688131-1	LINE FILTER	O	1		
098	620094-5	SPARK UNIT		1	*	
098-1	620094-5	SPARK UNIT	O	1		
099	346484-1	NAIL RAIL		1		
100	452897-7	MAGAZINE		1		
101	346487-5	NAIL HOLDER		1		
102	345749-8	SET PLATE		4		
103	188598-8	BATTERY CASE SET		1		
D10		INC. 106				
104	424152-7	RUBBER RING 40		2		
105	643817-4	TERMINAL		1		
106	188598-8	BATTERY CASE SET		1		
D10		INC. 103				
A01	195246-2	SAFETY GOGGLE		1	*	
A02	346488-3	SHORT NAIL ADAPDER		1		
A03	922107-1	HEX. SOCKET HEAD BOLT M4X8		1		
A04	424443-6	NOSE ADAPTER		2		
A05	783201-2	HEX. WRENCH 3		1		
A06	783202-0	HEX. WRENCH 4		1		
A07	824990-1	PLASTIC CARRYING CASE		1	*	
C10	162315-4	LATCH		2	*	
A07-1	821595-8	PLASTIC CARRYING CASE	<	1		
C10	162315-4	LATCH		2		
A08	890633-7	GF600SE PLASTIC CASE LABEL		2		
A09	***DC07SA	DC07SA BATTERY CHARGER		1	*	
A09-1	***DC10WA	DC10WA BATTERY CHARGER	<	1		
A10	194355-4	BATTERY BL7010 SET		2	*	
A10-1	194355-4	BATTERY BL7010 SET	<	2	*	
A10-2	198000-3	BATTERY BL0715 SET	<	2		
F01-1	194355-4	BATTERY BL7010 SET	<	1		
F03	194852-0	CLEANING SET		1		
F26	198000-3	BATTERY BL0715 SET		1		
A08	890635-3	GF600ZK PLASTIC CASE LABEL		2		

Please state Parts No. when your order.

Print Date 12/04/2023