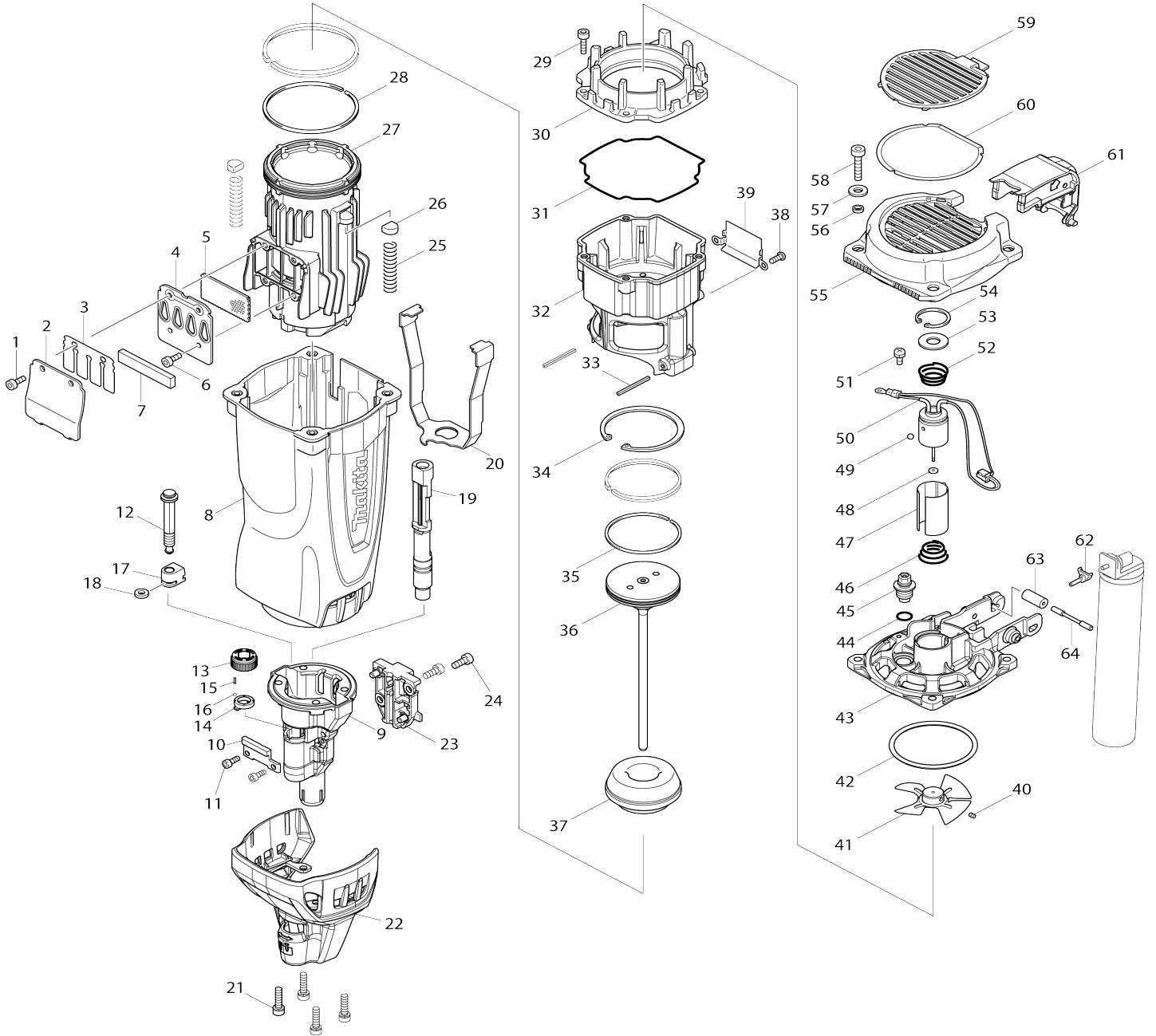
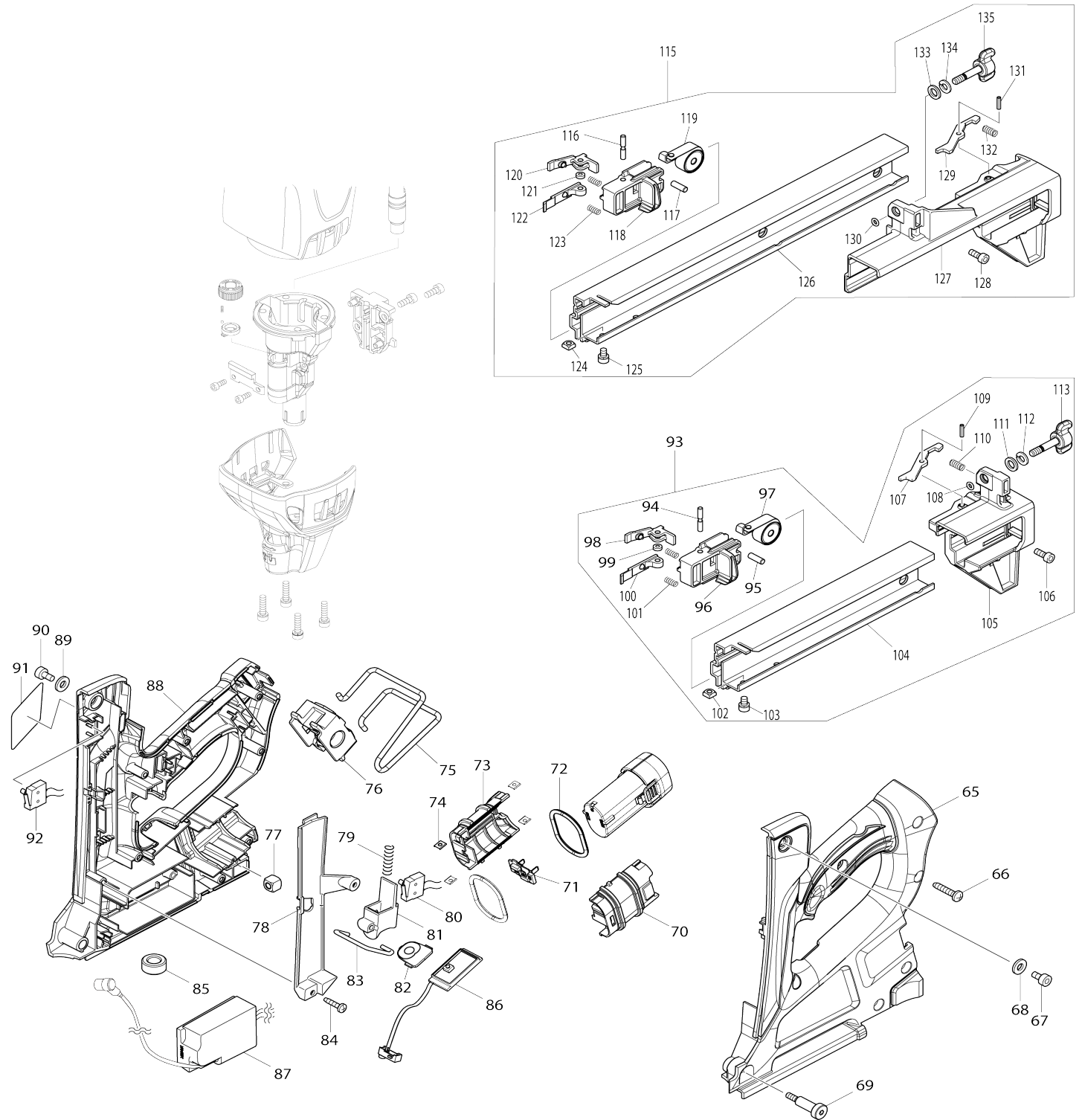


Model No.GN420C CORDLESS CONCRETE NAILER



Model No.GN420C CORDLESS CONCRETE NAILER



Model No.GN420C CORDLESS CONCRETE NAILER

Item No.	Parts No.	Description	Interchangability	Q'ty	New/Old	Note1	Note2
001	922112-8	HEX. SOCKET HEAD BOLT M4X10		2			
002	345984-8	EXHAUST COVER		1			
003	345982-2	EXHAUST VALVE		1			
004	345983-0	EXHAUST PLATE		1			
005	352008-3	PUNCHING METAL		1			
006	922112-8	HEX. SOCKET HEAD BOLT M4X10		2			
007	352009-1	SILENCER		1			
008	450729-2	HOUSING		1			
009	310517-8	DRIVER GUIDE		1			
010	310524-1	NAIL PLATE		1	*		
010-1	313302-8	NAIL PLATE	<	1			
011	266167-6	HEX. SOCKET HEAD BOLT M4X10		2			
012	326246-3	ADJUSTER ROD		1	*		
012-1	327593-5	ADJUSTER ROD	<	1			
013	453806-9	ADJUSTER		1			
014	453807-7	ADJUSTER GUIDE		1			
015	234254-9	COMPRESSION SPRING 2		1			
016	216031-1	STEEL BALL 2.3		1			
017	310519-4	ADJUSTER BLOCK		1			
018	262164-0	RUBBER RING 5		1			
019	331996-7	CONTACT TOP		1			
020	346613-6	ARM		1			
021	266464-0	HEX. SOCKET HEAD BOLT M5X20		4			
022	141611-3	DUST COVER COMPLETE		1			
C10	346614-4	PLATE		1			
023	141608-2	UNDER DRIVER GUIDE COMPLETE		1	*		
023-1	142683-1	UNDER DRIVER GUIDE COMPLETE	S	1			
024	922212-4	HEX. SOCKET HEAD BOLT M5X12		2			
025	234255-7	COMPRESSION SPRING 8		2			
026	424138-1	STOP RUBBER		2			
027	318902-9	CYLINDER		1			
028	324973-6	CYLINDER RING		2			
029	922127-5	HEX. SOCKET HEAD BOLT M4X16		4			
030	318322-7	CHAMBER TOP		1			
031	424139-9	CHAMBER SEAL RING		1			
032	318320-1	CHAMBER		1			
033	951078-5	SPRING PIN 3-32		2			
034	962254-6	RETAINING RING (INT) R-58		1			
035	324972-8	PISTON RING		2			
036	141606-6	DRIVER COMPLETE		1			
037	424137-3	FRONT CUSHION		1			
038	265069-3	+PAN HEAD SCREW M4X10		2			
039	345985-6	TRIGGER LOCK PLATE		1			
040	913904-6	SET SCREW (CUP POINT) M3X4		1			
041	241674-0	FAN 60		1			
042	213679-0	O-RING 60		1			

043	318321-9	CYLINDER HEAD		1		
044	213070-2	O RING 10		1		
045	162269-5	SPARK PLUG		1		
046	233969-5	C COMPRESSION SPRING 12-18		1		
047	454002-2	MOTOR SLEEVE		1		
048	261141-9	EPOXY WASHER 2		1		
049	216019-1	STEEL BALL 3		1		
050	629860-7	DC MOTOR		1		
051	652014-1	PAN HEAD SCREW M4X8		1		
052	233969-5	C COMPRESSION SPRING 12-18		1		
053	253024-7	FLAT WASHER 10		1		
054	962103-7	RETAINING RING R-24		1		
055	450730-7	TOP CAP		1		
056	257672-4	SLEEVE 5		4		
057	941101-4	FLAT WASHER 5		4		
058	922242-5	HEX. SOCKET HEAD BOLT M5X25		4		
059	450733-1	FILTER COVER		1		
060	162270-0	FILTER		1		
061	454202-4	ACTUATOR		1		
062	454003-0	STEM ADAPTER		1		
063	422044-4	RUBBER SLEEVE 9		1		
064	324976-0	SHOULDER PIN 4		1		
065	187560-0	HANDLE SET		1		
C10	898794-7	CAUTION LABEL		1		
D10		INC. 88				
066	266041-8	TAPPING SCREW 5X25		6		
067	265907-9	HEX. SOCKET HEAD BOLT M5X10		1		
068	941102-2	FLAT WASHER 5		1		
069	266780-0	HEX.SOCKET HEAD SHOULDER B OLT		1		
070	188598-8	BATTERY CASE SET		1		
D10		INC. 73				
071	643817-4	TERMINAL		1		
072	424152-7	RUBBER RING 40		2		
073	188598-8	BATTERY CASE SET		1		
D10		INC. 70				
074	345749-8	SET PLATE		4		
075	324953-2	HOOK		1		
076	318338-2	HOOK HOLDER		1		
077	252185-0	SQUARE NUT M6		1		
078	450740-4	LEAD WIRE COVER		1		
079	234113-7	COMPRESSION SPRING 5		1		
080	638642-6	SWITCH UNIT		1		
081	450736-5	TRIGGER		1		
082	141610-5	SWITCH PLATE COMPLETE		1		
083	324974-4	CHAMBER LOCK BAR		1		
084	265995-6	TAPPING SCREW 4X18		2		
085	688131-1	LINE FILTER		1	*	
085-1	688131-1	LINE FILTER	O	1		
086	620160-8	LIGHT CIRCUIT		1		
087	620159-3	SPARK UNIT		1	*	
087-1	620159-3	SPARK UNIT	O	1		

088	187560-0	HANDLE SET		1		
C10	898794-7	CAUTION LABEL		1		
D10		INC. 65				
089	941102-2	FLAT WASHER 5		1		
090	265907-9	HEX. SOCKET HEAD BOLT M5X10		1		
091	814A21-0	GN420C NAME PLATE		1		
092	638642-6	SWITCH UNIT		1		
093	126251-8	MAGAZINE ASSEMBLY		1	*	
D10		INC. 94-113				
093-1	126450-2	MAGAZINE ASSEMBLY	X	1		
D10		INC. 94-113				
094	268280-6	PIN 4		1		
095	268225-4	PIN 5		1		
096	453808-5	PUSHER HOLDER		1		
097	141609-0	SPIRAL SPRING COMPLETE		1		
098	310520-9	PUSHER		1		
099	262120-0	URETHANE RING 3		1		
100	310521-7	LOCK PLATE		1	*	
100-1	310596-6	LOCK PLATE	S	1		
101	233037-4	COMPRESSION SPRING 5		2		
102	264050-1	SQUARE NUT M5-8		1		
103	265480-9	HEX. SOCKET HEAD BOLT M5X8		1		
104	331997-5	MAGAZINE		1		
105	453805-1	MAGAZINE CAP		1		
106	922217-4	HEX. SOCKET HEAD BOLT M5X14		1		
107	346615-2	NAIL STOPPER		1		
108	213009-5	O RING 4		1		
109	951057-3	SPRING PIN 3-12		1		
110	234012-3	COMPRESSION SPRING 6		1		
111	941151-9	FLAT WASHER 6		1		
112	942151-2	SPRING WASHER 6		1		
113	265796-2	THUMB SCREW M6X29		1		
A01	195246-2	SAFETY GOGGLE		1	*	
A02	783230-5	HEX. WRENCH 4		1		
A03	821512-8	PLASTIC CARRYING CASE		1		
C10	163455-1	LATCH		2		
A04	800P19-3	GN420CSE PLASTIC CASE LABEL		2		
A05	***DC07SA	DC07SA BATTERY CHARGER		1	*	
A05-1	***DC10WA	DC10WA BATTERY CHARGER	<	1		
A06	194355-4	BATTERY BL7010 SET		2	*	
A06-1	194355-4	BATTERY BL7010 SET	<	2	*	
A06-2	198000-3	BATTERY BL0715 SET	<	2		
E01	234275-1	COMPRESSION SPRING 7		2		
F04-1	194355-4	BATTERY BL7010 SET	<	1		
F05	194852-0	CLEANING SET		1		
F18-1	196806-3	20 PIN MAGAZINE SET	X	1		
F19-1	196805-5	40 PIN MAGAZINE SET	X	1		
F20	198000-3	BATTERY BL0715 SET		1		

Please state Parts No. when your order.

Print Date 12/05/2023