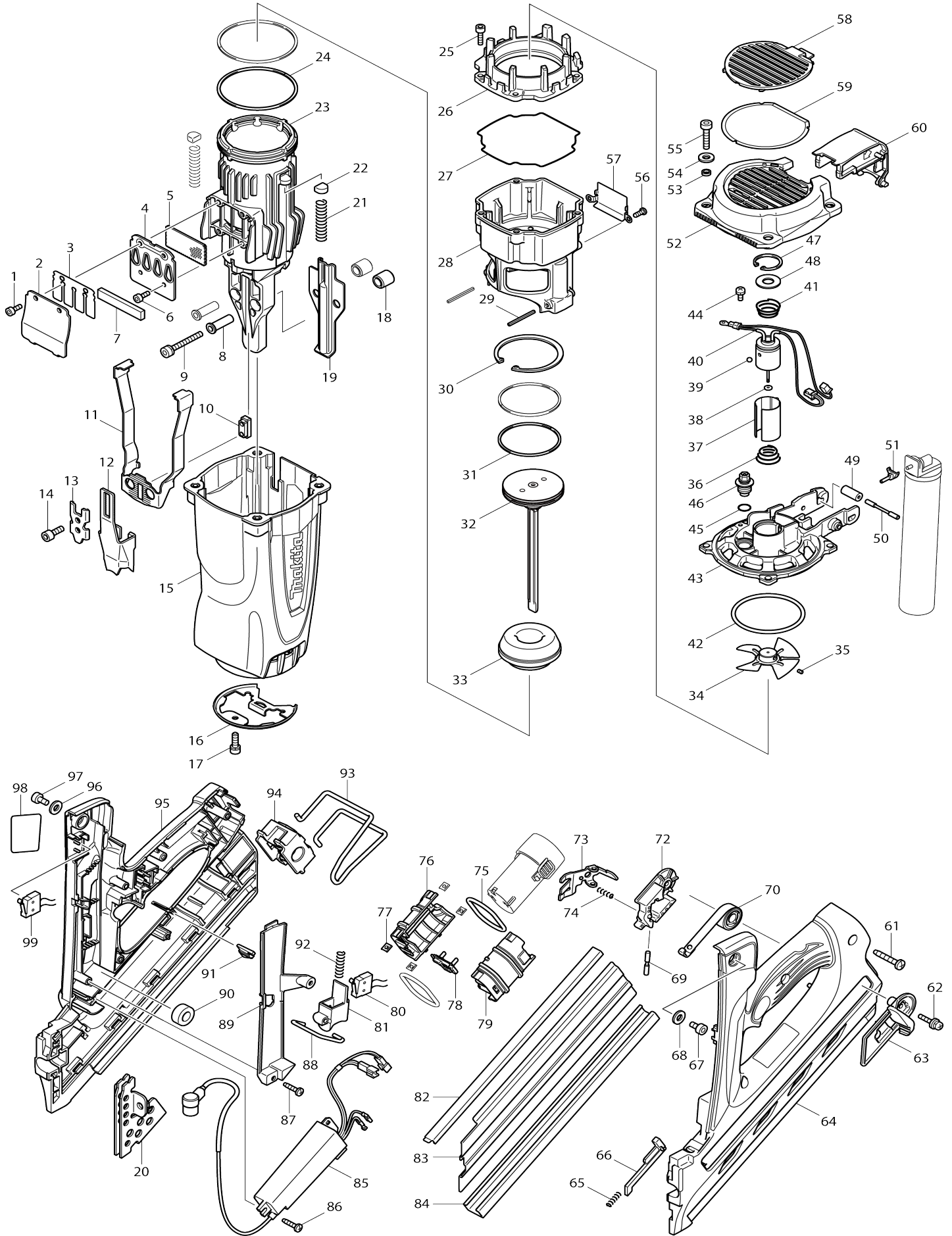


Model No.GN900 GAS FRAMING NAILER



Model No.GN900 GAS FRAMING NAILER

Item No.	Parts No.	Description	Interchangability	Q'ty	New/Old	Note1	Note2
001	922112-8	HEX. SOCKET HEAD BOLT M4X10		2			
002	345984-8	EXHAUST COVER		1			
003	345982-2	EXHAUST VALVE		1			
004	345983-0	EXHAUST PLATE		1			
005	352008-3	PUNCHING METAL		1			
006	922112-8	HEX. SOCKET HEAD BOLT M4X10		2			
007	352009-1	SILENCER		1			
008	324975-2	SLEEVE 6		2	*		
008-1	325711-9	SLEEVE 5	S	2			
009	266271-1	HEX. SOCKET HEAD BOLT M5X35		2	*		
009-1	265562-7	HEX SOCKET HEAD BOLT M5X35	<	2	*		
009-2	266620-2	HEX SOCKET HEAD BOLT M5X35	<	2			
010	313157-1	ARM CONNECTOR		1			
011	345987-2	ARM		1			
012	345990-3	CONTACT TOP		1			
013	345991-1	ARM PLATE		1			
014	922207-7	HEX. SOCKET HEAD BOLT M5X10		2			
015	450729-2	HOUSING		1	*		
015-1	141032-9	HOUSING COMPLETE	O	1			
016	346008-3	FRONT PLATE		1			
017	266086-6	HEX. SOCKET HEAD BOLT M5X16		3			
018	257774-6	SLEEVE 9		2	*		
018-1	257784-3	SLEEVE 8	S	2			
019	345986-4	DRIVER GUIDE PLATE		1	*		
019-1	346124-1	DRIVER GUIDE PLATE	S	1			
020	346006-7	UNDER DRIVER GUIDE		1	*		
020-1	346357-8	UNDER DRIVER GUIDE	<	1			
021	234083-0	COMPRESSION SPRING 8		2	*		
021-1	234127-6	COMPRESSION SPRING 8	<	2			
022	424138-1	STOP RUBBER		2			
023	318319-6	CYLINDER		1	*		
023-1	318496-4	CYLINDER	S	1			
024	324973-6	CYLINDER RING		2			
025	922127-5	HEX. SOCKET HEAD BOLT M4X16		4			
026	318322-7	CHAMBER TOP		1			
027	424139-9	CHAMBER SEAL RING		1			
028	318320-1	CHAMBER		1			
029	951078-5	SPRING PIN 3-32		2			
030	962254-6	RETAINING RING (INT) R-58		1			
031	324972-8	PISTON RING		2			
032	158840-1	DRIVER COMPLETE		1			
033	424137-3	FRONT CUSHION		1			
034	241674-0	FAN 60		1			
035	913904-6	SET SCREW (CUP POINT) M3X4		1			
036	233969-5	C COMPRESSION SPRING 12-18		1			
037	450737-3	MOTOR SLEEVE		1	*		
037-1	454002-2	MOTOR SLEEVE	O	1			

038	261141-9	EPOXY WASHER 2		1		
039	216019-1	STEEL BALL 3		1		
040	629860-7	DC MOTOR		1		
041	233969-5	C COMPRESSION SPRING 12-18		1		
042	213677-4	O-RING 60		1	*	
042-1	213679-0	O-RING 60	<	1		
043	318321-9	CYLINDER HEAD		1		
044	652014-1	PAN HEAD SCREW M4X8		1		
045	213070-2	O RING 10		1		
046	162269-5	SPARK PLUG		1		
047	962103-7	RETAINING RING R-24		1		
048	253024-7	FLAT WASHER 10		1		
049	422044-4	RUBBER SLEEVE 9		1		
050	324976-0	SHOULDER PIN 4		1		
051	450731-5	STEM ADAPTER		1	*	
051-1	454003-0	STEM ADAPTER	O	1		
052	450730-7	TOP CAP		1		
053	257672-4	SLEEVE 5		4		
054	941101-4	FLAT WASHER 5		4		
055	922242-5	HEX. SOCKET HEAD BOLT M5X25		4		
056	265069-3	+PAN HEAD SCREW M4X10		2		
057	345985-6	TRIGGER LOCK PLATE		1		
058	450733-1	FILTER COVER		1		
059	162270-0	FILTER		1		
060	450732-3	ACTUATER		1	*	
060-1	454202-4	ACTUATOR	O	1		
061	266041-8	TAPPING SCREW 5X25		3		
062	911138-5	P.H.SCREW M4X20 WITH WR		1		
063	450735-7	PUSHER LEVER		1		
064	188625-1	HANDLE SET		1		
C10	808225-8	LED INDICATION LABEL		1		
C20	810458-3	CAUTION LABEL		1		
D10		INC. 95				
065	233054-4	COMPRESSION SPRING 4		1		
066	310289-5	LOCK BAR		1		
067	265907-9	HEX. SOCKET HEAD BOLT M5X10		1		
068	941101-4	FLAT WASHER 5		1	*	
068-1	941102-2	FLAT WASHER 5	<	1		
069	324977-8	SHOULDER PIN 4		1		
070	158791-8	SPIRAL SPRING COMPLETE		1		
072	450734-9	PUSHER HOLDER		1		
073	345992-9	PUSHER		1		
074	234084-8	COMPRESSION SPRING 3		1		
075	424152-7	RUBBER RING 40		2		
076	188598-8	BATTERY CASE SET		1		
D10		INC. 79				
077	345749-8	SET PLATE		4		
078	643817-4	TERMINAL		1		
079	188598-8	BATTERY CASE SET		1		
D10		INC. 76				
080	638642-6	SWITCH UNIT		1		
081	450736-5	TRIGGER		1		

082	345988-0	NAIL RAIL		1		
083	345989-8	NAIL PLATE		1		
084	345981-4	MAGAZINE SUPPORTER		1		
085	631820-7	SPARK UNIT		1	*	
085-1	620158-5	SPARK UNIT	<	1	*	
085-2	620158-5	SPARK UNIT	O	1		
086	265995-6	TAPPING SCREW 4X18		2		
087	265995-6	TAPPING SCREW 4X18		2		
088	324974-4	CHAMBER LOCK BAR		1		
089	450740-4	LEAD WIRE COVER		1		
090	688131-1	LINE FILTER		1	*	
090-1	688131-1	LINE FILTER	O	1		
091	450741-2	LENZ		1		
092	231307-5	COMPRESSION SPRING 6		1	*	
092-1	234113-7	COMPRESSION SPRING 5	<	1		
093	324953-2	HOOK		1		
094	318338-2	HOOK HOLDER		1		
095	188625-1	HANDLE SET		1		
C10	808225-8	LED INDICATION LABEL		1		
C20	810458-3	CAUTION LABEL		1		
D10		INC. 64				
096	941101-4	FLAT WASHER 5		1	*	
096-1	941102-2	FLAT WASHER 5	<	1		
097	265907-9	HEX. SOCKET HEAD BOLT M5X10		1		
098	866161-4	GN900 NAME PLATE		1		
099	638642-6	SWITCH UNIT		1		
100	346358-6	FRONT SPACER		1		
A01	192517-8	SAFETY GOGGLE		1	*	
A01-1	195246-2	SAFETY GOGGLE	<	1	*	
A02	783202-0	HEX. WRENCH 4		1	*	
A02-1	783230-5	HEX. WRENCH 4	<	1		
A03	824875-1	PLASTIC CARRYING CASE		1		
C10	163455-1	LATCH		2		
A04	808290-7	GN900SE PLASTIC CASE LABEL		1	*	
A04-1	812H01-2	GN900SE PLASTIC CASE LABEL	X	1		
A05	***DC07SA	DC07SA BATTERY CHARGER		1	*	
A05-1	***DC10WA	DC10WA BATTERY CHARGER	<	1		
A06	194355-4	BATTERY BL7010 SET		2	*	
A06-1	194355-4	BATTERY BL7010 SET	<	2	*	
A06-2	198000-3	BATTERY BL0715 SET	<	2		
F38-1	194844-9	FUEL CELL SET	X	1		
C10	242073-9	FUEL CELL		1		
F40	194852-0	CLEANING SET		1		
A04	808293-1	GN900ZK PLASTIC CASE LABEL		1		

Please state Parts No. when your order.

Print Date 12/04/2023