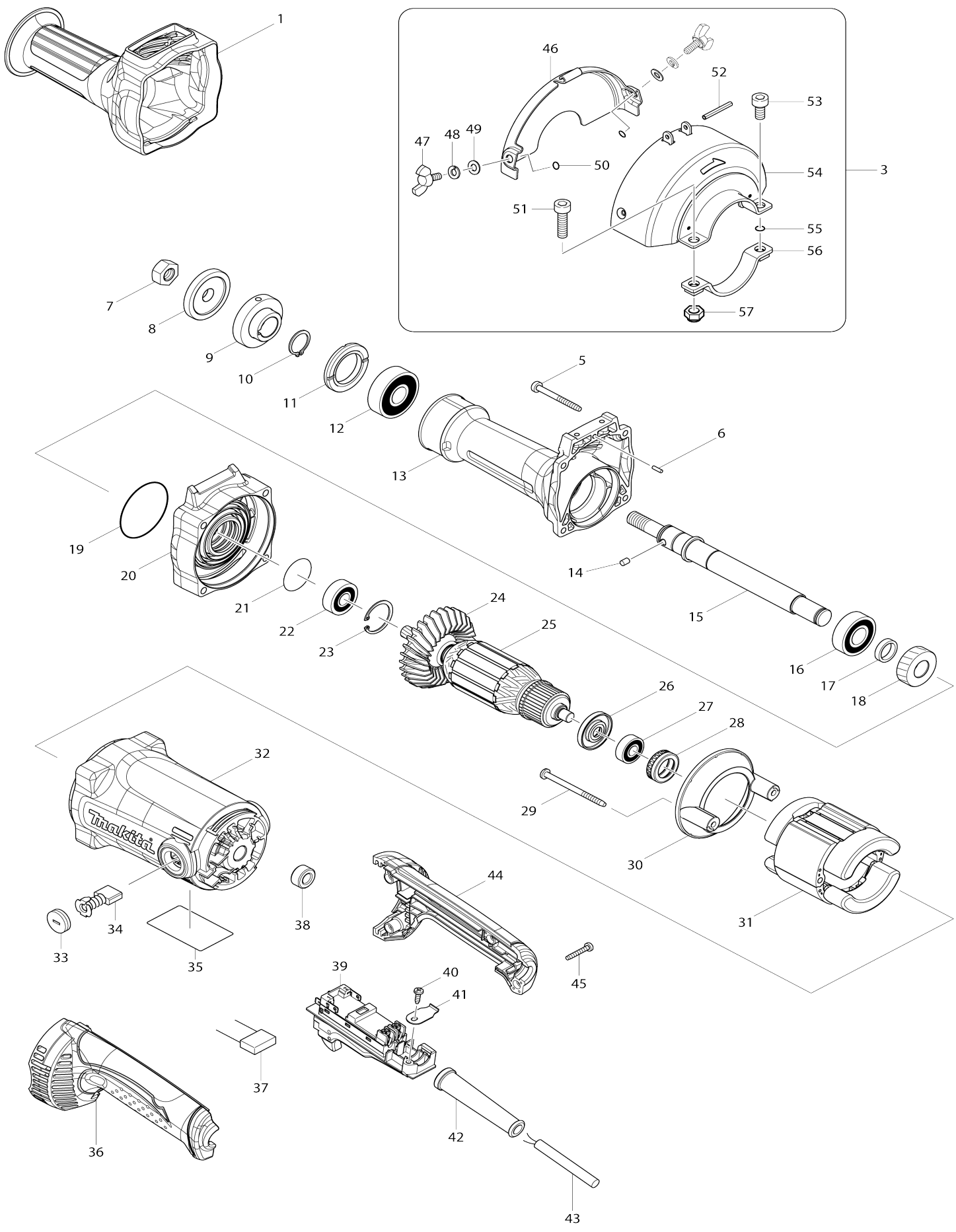


Model No.GS5000 125MM STRAIGHT GRINDER



Model No.GS5000 125MM STRAIGHT GRINDER

Item No.	Parts No.	Description	Interchangability	Q'ty	New/Old	Note1	Note2
001	424549-0	INSULATION COVER		1			
003	123199-5	WHEEL COVER 125K ASSY		1			
D10		INC. 46-57					
005	266046-8	TAPPING SCREW 5X50		4			
006	256180-2	PIN 3		1			
008	224583-8	LOCK NUT 14-50		1			
009	224457-3	INNER FLANGE 50		1			
010	961060-6	RETAINING RING S-20		1			
011	285824-7	BEARING RETAINER 31-48		1			
012	211306-3	BALL BEARING 6204LLB		1			
013	318961-3	GEAR HOUSING		1			
014	268161-4	PIN 5		1			
015	326252-8	SPINDLE C		1			
016	211256-2	BALL BEARING 6203LLB		1			
017	257253-4	RING 17		1			
018	227766-9	HELICAL GEAR 47		1			
019	213656-2	O RING 53		1			
020	318962-1	GEAR HOUSING COVER		1			
021	213487-9	O RING 31		1			
022	211129-9	BALL BEARING 6201DDW		1			
023	962151-6	RETAINING RING R-32		1			
024	240143-8	FAN 80		1			
025	517889-4	ARMATURE ASS'Y 240V		1			
D10		INC. 24,26,27					
026	681657-2	INSULATION WASHER		1			
027	210059-1	BALL BEARING 6000DDW		1			
028	421490-8	RUBBER RING 26		1			
029	266038-7	TAPPING SCREW 5X70		2			
030	451480-7	BAFFLE PLATE		1			
031	523424-8	FIELD ASSY 240V		1			
C10	654098-5	RECEPTACLE		2			
032	140222-1	MOTOR HOUSING COMPLETE		1			
C10	643707-1	BRUSH HOLDER		2			
033	643700-5	BRUSH HOLDER CAP 7-18		2			
034	191957-7	A.C. CARBON BRUSH CB-204		1			
035	814H98-7	GS5000 NAME PLATE		1			
036	188848-1	HANDLE SET		1			
D10		INC. 44					
037	645088-9	NOISE SUPPRESSOR		1			
038	688131-1	LINE FILTER		1	*		
038-1	688131-1	LINE FILTER	O	1			
039	650102-8	SWITCH TG08-1200-011		1			
040	266192-7	TAPPING SCREW 4X14		1			
041	687169-3	STRAIN RELIEF		1			
042	682540-6	CORD GUARD 9.3-90		1	*		
042-1	682505-8	CORD GUARD 10-90	O	1			
043	665865-3	POWER SUPPLY CORD 1.0-2-2.5		1			

044	188848-1	HANDLE SET		1		
D10		INC. 36				
045	265999-8	TAPPING SCREW 4X25		4		
046	346654-2	SUPPORT COVER 125K		1		
047	924316-8	WING BOLT M6X15		2		
048	942151-2	SPRING WASHER 6		2		
049	941151-9	FLAT WASHER 6		2		
050	213005-3	O RING 5		2		
051	922452-4	HEX. SOCKET HEAD BOLT M8X30		1		
052	951125-2	SPRING PIN 4-32		1		
053	922422-3	HEX. SOCKET HEAD BOLT M8X16		1		
054	165713-1	WHEEL COVER 125K		1		
055	213017-6	O RING 6		1		
056	346656-8	TIGHT BAND		1		
057	252105-4	HEX. LOCK NUT M8-13		1		
A01	410047-0	WRENCH HOLDER 5.6		1		
A02	782423-1	LOCK NUT WRENCH 35		1		
A03	783204-6	HEX. WRENCH 6		1		
A04	B-28662	STRAIGHT GRINDER WHEEL 125-24		1		

Please state Parts No. when your order.

Print Date 12/04/2023