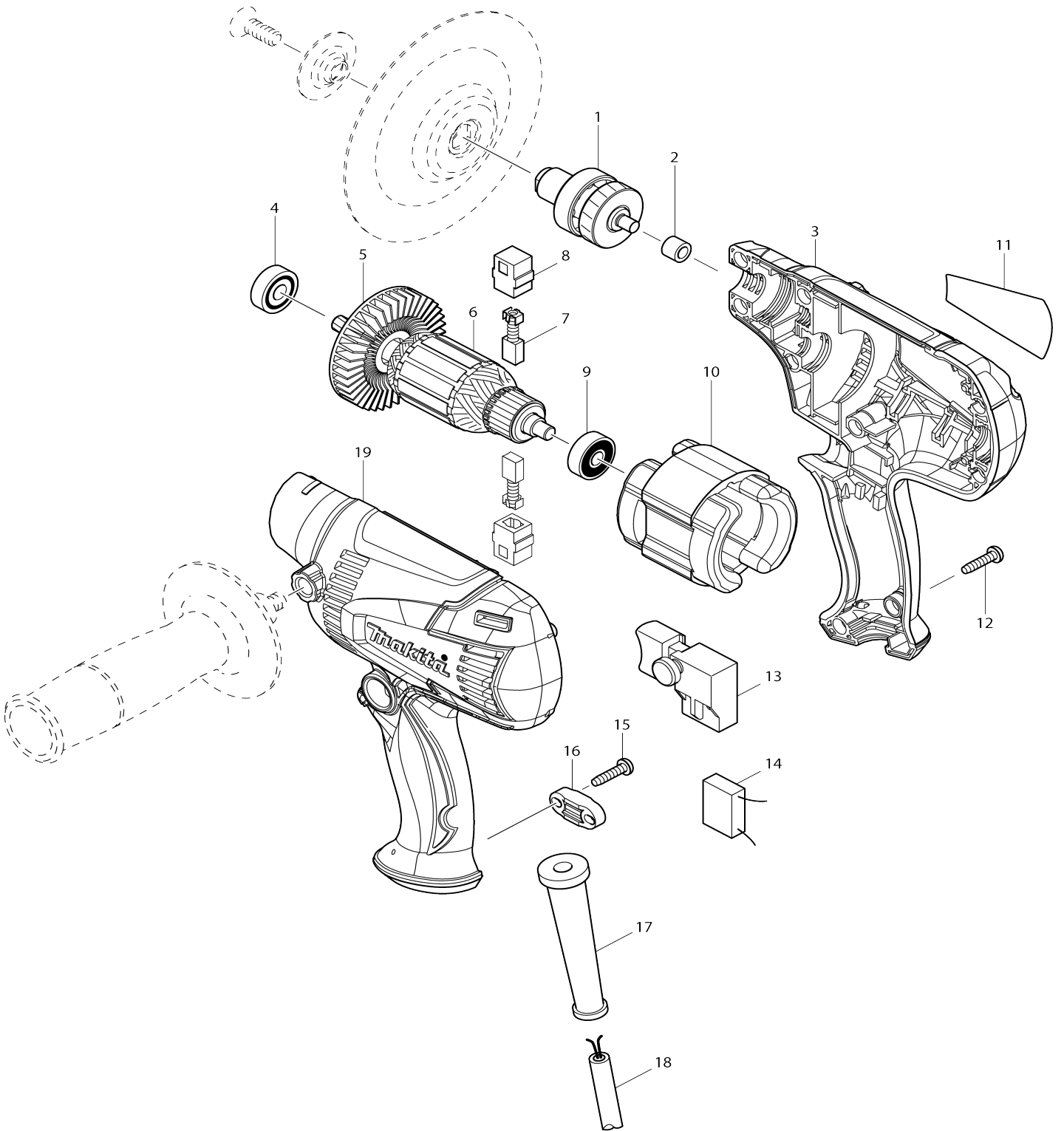


Model No.GV5010 DISC SANDER 125MM



Model No.GV5010 DISC SANDER 125MM

Item No.	Parts No.	Description	Interchangability	Q'ty	New/Old	Note1	Note2
001	153119-5	GEAR COMPLETE		1			
002	214004-8	PLANE BEARING 6		1			
003	188564-5	HOUSING SET		1			
C10	263002-9	RUBBER PIN 4		2			
D10		INC. 19					
004	211031-6	BALL BEARING 608LLB		1			
005	241884-9	FAN 60		1			
006	515314-9	ARMATURE ASS'Y 240V		1			
D10		INC. 4,5,9					
007	191627-8	CARBON BRUSH CB-64		1			
008	643563-9	BRUSH HOLDER 5X8		2			
009	210023-2	BALL BEARING 627DDW		1			
010	526609-5	FIELD ASS'Y 240V		1			
C10	654037-5	INSULATED TERM. FT1.25-M3		2	*		
011	865331-2	GV5010 NAME PLATE		1			
012	265995-6	TAPPING SCREW 4X18		9			
013	651285-7	SWITCH SGEL206C-4		1	*		
013-1	651285-7	SWITCH SGEL206C-4	O	1			
014	645200-1	NOISE SUPPRESSOR		1			
015	265995-6	TAPPING SCREW 4X18		2			
016	687052-4	STRAIN RELIEF		1			
017	682502-4	CORD GUARD 8-85		1			
018	665394-6	POWER SUPPLY CORD 1.0-2-2.5		1			
019	188564-5	HOUSING SET		1			
C10	263002-9	RUBBER PIN 4		2			
D10		INC. 3					
A01	152491-2	GRIP 36 COMPLETE		1			
A02	743025-8	PLASTIC PAD 120		1			
A03	253951-8	WASHER 10		1			
A04	265812-0	HEX. SOCKET HEAD BOLT M8X20		1			
A05	410047-0	WRENCH HOLDER 5.6		1			
A06	794320-9	ABRASIVE DISC 125 #80		1	*		
A07	783203-8	HEX. WRENCH 5		1			

Please state Parts No. when your order.

Print Date 23.10.2023