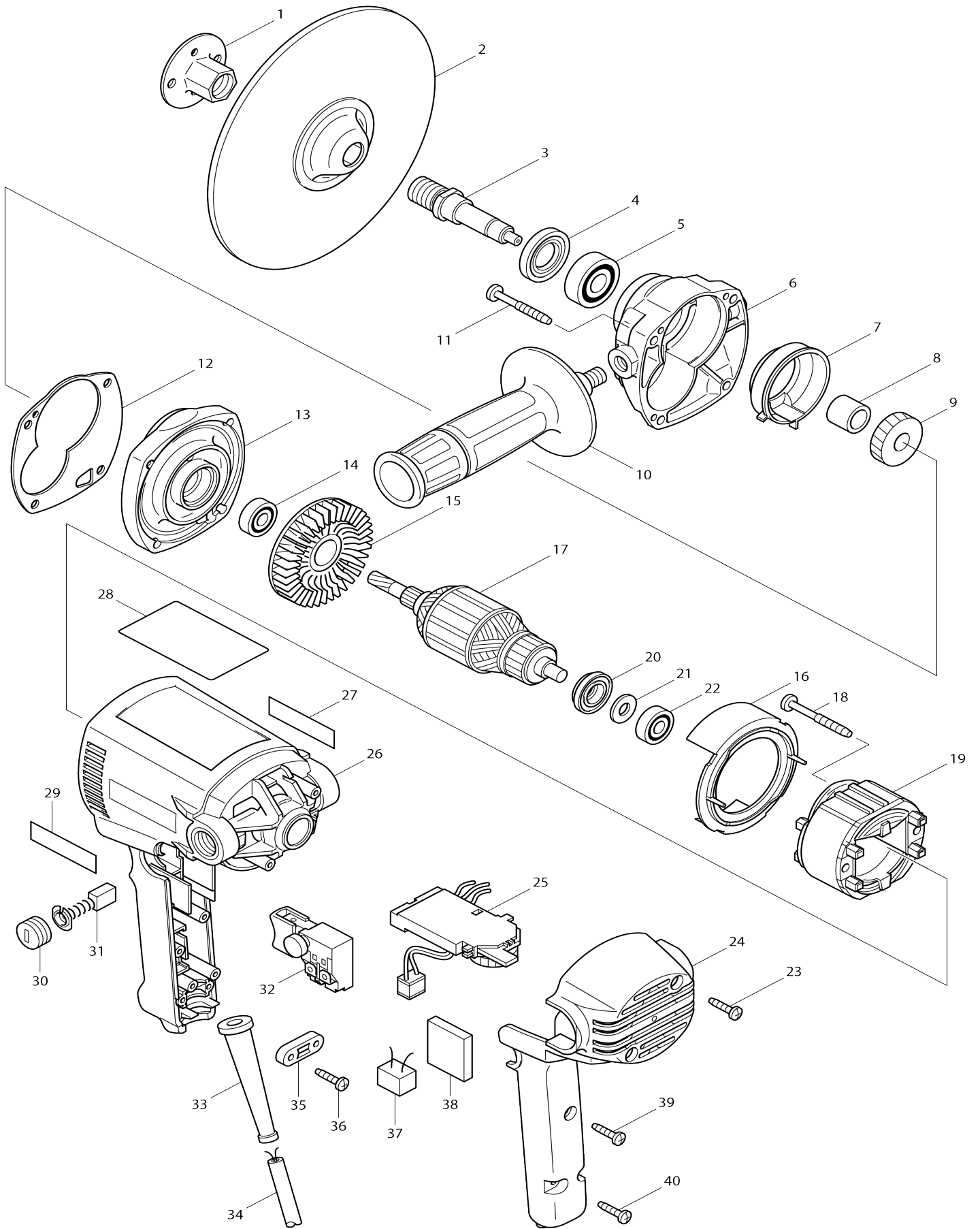


Model No.GV7000C DISC SANDER 180MM



Model No.GV7000C DISC SANDER 180MM

Item No.	Parts No.	Description	Interchangability	Q'ty	New/Old	Note1	Note2
001B_	224515-5	SANDING LOCK NUT 14-48		1			
002	743012-7	RUBBER PAD 170		1			
003B_	324079-0	SPINDLE		1			
004	152690-6	BEARING RETAINER COMPLETE		1			
C10	213209-7	OIL SEAL 16		1			
005	211129-9	BALL BEARING 6201DDW		1			
006	317458-9	GEAR HOUSING		1	*		
006-1	317561-6	GEAR HOUSING	<	1			
007	417460-3	GREASE FENCE		1			
008	257708-9	SLEEVE 12		1			
009	226537-1	HELICAL GEAR 39		1			
010	152491-2	GRIP 36 COMPLETE		1			
011	266211-9	TAPPING SCREW 5X40		4			
012	442132-1	GASKET		1	*		
012-1	417837-2	GASKET	O	1			
013	152809-7	GEAR HOUSING COVER COMPLETE		1			
C10	212016-5	NEEDLE BEARING 609		1			
014	210005-4	BALL BEARING 608DDW		1			
015	240020-4	FAN 65		1			
016	413077-0	BAFFLE PLATE		1	*		
016-1	419721-7	BAFFLE PLATE	<	1			
017A_	516443-1	ARMATURE ASS'Y 220-240V		1			
D10		INC. 14,15,20-22					
018	266056-5	TAPPING SCREW 5X45		2			
019A_	599015-7	FIELD ASS'Y 220-240V		1			
C10	654020-2	RING TERMINAL		2			
C20	654501-6	CONNECTOR P-1.25		2			
020	681660-3	INSULATION WASHER		1			
021	253139-0	FLAT WASHER 8		1			
022	210005-4	BALL BEARING 608DDW		1			
023	265995-6	TAPPING SCREW 4X18		2			
024	417450-6	HANDLE COVER		1			
025A_	631429-5	CONTROLLER		1			
026	183299-3	MOTOR HOUSING SET		1			
D10		INC. 27,29					
027	819063-3	MAKITA LABEL		1			
028	852822-2	NAME PLATE GV7000C		1			
029	819063-3	MAKITA LABEL		1			
030	643750-0	BRUSH HOLDER CAP 7-11		2	*		
030-1	643515-0	HOLDER CAP 7-11	O	2			
031	191963-2	CARBON BRUSH CB-303		1	*		
031-1	194996-6	CARBON BRUSH SET CB-303	O	1			
032A_	651297-0	SWITCH		1			
033A_	682559-5	CORD GUARD 8		1			
034B_	695034-2	POWER SUPPLY CORD 1.0-2-4.0		1			
035B_	687052-4	STRAIN RELIEF		1			
036	265995-6	TAPPING SCREW 4X18		2			

037	645253-0	NOISE SUPPRESSOR		1			
038	685722-9	SPONGE		1	*		
039	265995-6	TAPPING SCREW 4X18		1			
040	265995-6	TAPPING SCREW 4X18		2			
041	417793-6	COVER		1			
A01	794095-0	ABRASIVE DISC 180 #80		1	*		
A01-1	794095-0	ABRASIVE DISC 180 #80	O	1	*		
A01-2	B-66787-25	FIBRE SANDING DISC 180		1			
A02	781008-0	WRENCH 17		1			
A03	782412-6	LOCK NUT WRENCH 28		1			
E01	652257-5	CLAMP WASHER		4			
E02	654205-0	EARTH TERMINAL		1			

Please state Parts No. when your order.

Print Date 02/15/2024