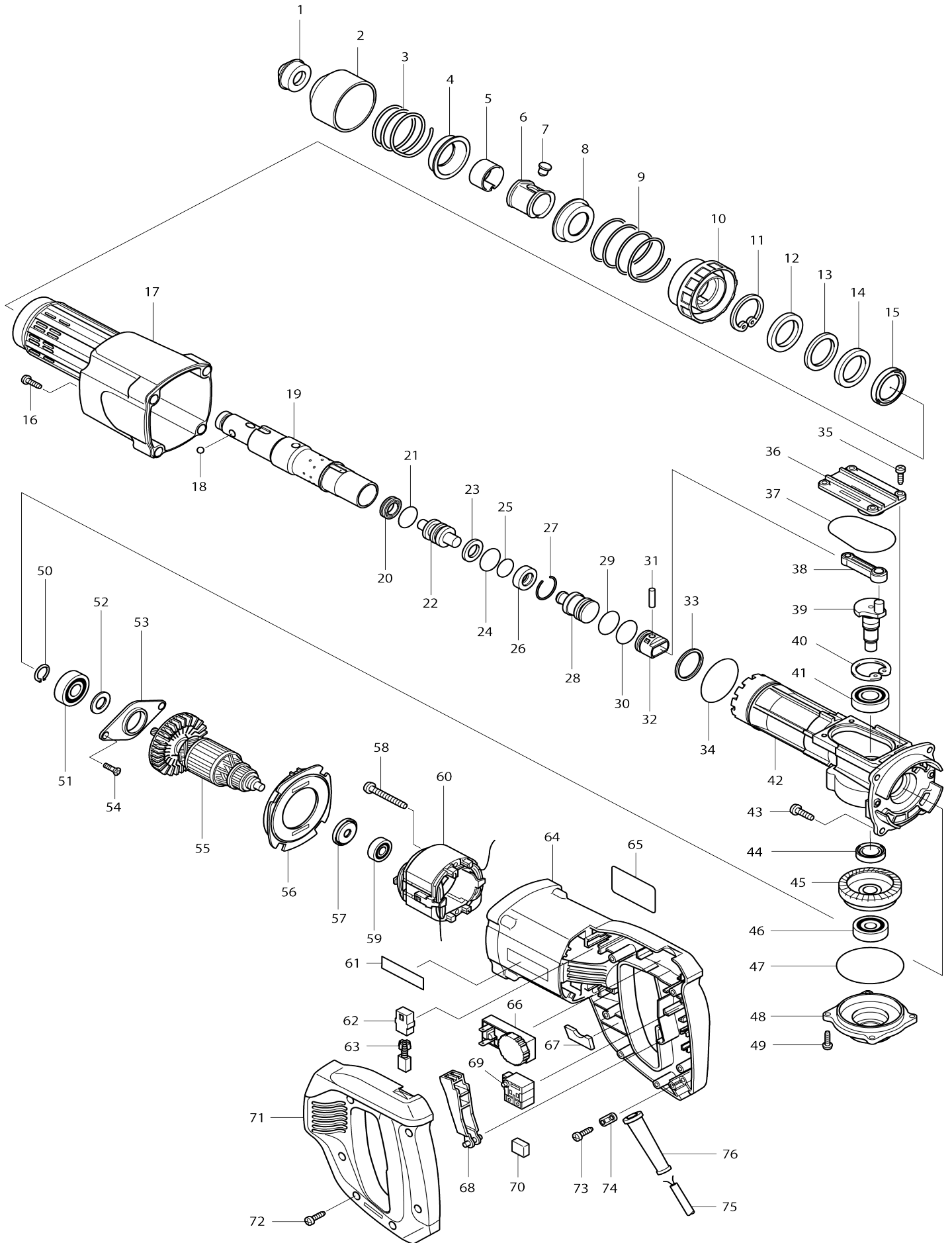


Model No.HK0500 POWER SCRAPER



Model No.HK0500 POWER SCRAPER

Item No.	Parts No.	Description	Interchangability	Q'ty	New/Old	Note1	Note2
001	286248-0	CAP 31		1	*		
001-1	286265-0	CAP 31	X	1			
002	416729-2	CHUCK COVER		1			
003	233203-3	COMPRESSION SPRING 38		1			
004	344691-0	SPRING GUIDE		1			
005	232192-9	LEAF SPRING 26		1			
006	323724-4	CHUCK RING		1			
007	256447-8	PIN 8		1			
008	344691-0	SPRING GUIDE		1			
009	233238-4	COMPRESSION SPRING 38		1			
010	416733-1	CHANGE RING		1			
011	962156-6	RETAINING RING R-38		1			
012	257218-6	RING 27		1			
013	261113-4	URETHANE WASHER 28		1			
014	257218-6	RING 27		1			
015	213433-2	OIL SEAL 30		1			
016	265995-6	TAPPING SCREW 4X18		2			
017	416734-9	CRANK HOUSING COVER		1			
018	216022-2	STEEL BALL 7.0		1			
019	323839-7	TOOL HOLDER		1	*		
019-1	324063-5	TOOL HOLDER	S	1			
020	213173-2	X RING 13		1			
021	213214-4	O RING 16		1			
022	323847-8	IMPACT BOLT		1	*		
022-1	324012-2	IMPACT BOLT	X	1			
023	267192-0	FLAT WASHER 13		1			
024	213175-8	O RING 14		1			
025	213117-2	O RING 11		1			
026	323846-0	O RING CASE		1			
027	231987-7	RING SPRING 21		1			
028	323848-6	STRIKER		1			
029	213227-5	O RING 16		1			
030	213227-5	O RING 16		1			
031	256123-4	PIN 5		1			
032	416726-8	PISTON		1			
033	267129-7	FLAT WASHER 27		1			
034	213560-5	O RING 44		1			
035	266034-5	TAPPING SCREW CT 4X16		4			
036	416732-3	CRANK CAP		1			
037	213656-2	O RING 53		1			
038	416727-6	ROD		1			
039	323826-6	CRANK SHAFT		1			
040	962151-6	RETAINING RING R-32		1			
041	211232-6	BALL BEARING 6002LLU		1			
042	151543-6	CRANK HOUSING COMPLETE		1			
C10	262079-1	SLEEVE 27		1			
043	266021-4	TAPPING SCREW 5X20		4			

044	213219-4	OIL SEAL 15		1		
045	226779-7	SPIRAL BEVEL GEAR 41		1		
046	211066-7	BALL BEARING 6200LLB		1		
047	213656-2	O RING 53		1	*	
047-1	213663-5	O RING 55	O	1		
048	151579-5	GEAR COVER COMPLETE		1		
C10	263002-9	RUBBER PIN 4		1		
049	266034-5	TAPPING SCREW CT 4X16		4		
050	961052-5	RETAINING RING (EXT) S-12		1		
051	211129-9	BALL BEARING 6201DDW		1		
052	253069-5	FLAT WASHER 12		1		
053	285690-2	BEARING RETAINER 68		1		
054	251304-5	+ COUNTERSUNK HEAD SCREW M4X12		2		
055B_	518626-9	ARMATURE ASS'Y 220V		1		
C10	240021-2	FAN 60		1		
D10		INC. 57,59				
056	416730-7	BAFFLE PLATE		1		
057	681644-1	INSULATION WASHER		1		
058	266211-9	TAPPING SCREW 5X40		2		
059	210005-4	BALL BEARING 608DDW		1		
060A_	594319-2	FIELD ASS'Y 240V		1		
C10	654069-2	RECEPTACLE		1		
061	819063-3	MAKITA LABEL		1	*	
062	643605-9	BRUSH HOLDER		2		
063	191904-8	A.C. CARBON BRUSH CB-113		1		
064	416736-5	MOTOR HOUSING		1		
065	851374-0	NAME PLATE HK0500		1		
066A_	631291-8	CONTROLLER 220-240V		1		
067	423308-9	SPONGE SHEET 13-33		1		
068	416728-4	SWITCH LEVER		1		
069	651969-7	SWITCH		1		
070A_	645200-1	NOISE SUPPRESSOR		1		
071	151544-4	HANDLE COVER COMPLETE		1		
C10	263002-9	RUBBER PIN 4		2		
072	265995-6	TAPPING SCREW 4X18		6		
073	265995-6	TAPPING SCREW 4X18		2		
074C_	687063-9	CORD CLAMP		1	*	
074C1	687052-4	STRAIN RELIEF	X	1		
075C_	665883-1	POWER SUPPLY CORD 1.0-2-5.0		1		
076	682540-6	CORD GUARD 9.3-90		1	*	
076-1	682505-8	CORD GUARD 10-90	O	1		
077	231979-6	RING SPRING 17		1		
078	135167-6	TOOL HOLDER ASS'Y		1		
D10		INC. 19-27				
A01	A-30483	SCALING CHISEL 38-200		1		
A02	824523-2	PLASTIC CARRYING CASE		1		
C10	416401-6	LATCH		2	*	
C11	163455-1	LATCH	X	2		
B01	193397-5	HAMMER SERVICE KIT		1		
C10	181490-7	HAMMER GREASE 30G		1		
D10		INC. 1,20,21,24,25,27,29,30,63				

E01	652257-5	CLAMP WASHER		2		
E02	654532-5	TERMINAL BLOCK 1P		1		
E05	646047-6	CHOKE COIL		1		
E06	539147-8	CHOKE COIL ASS'Y		1		
E07	654002-4	TERMINAL 1.25-M4		2		
E08	654077-3	INSULATED TERMINAL FK2-M3D-5.5		1		
E17	646048-4	CHOKE COIL		1		
E19	809304-5	SOUND 97DB LABEL		1		

Please state Parts No. when your order.

Print Date 23.10.2023