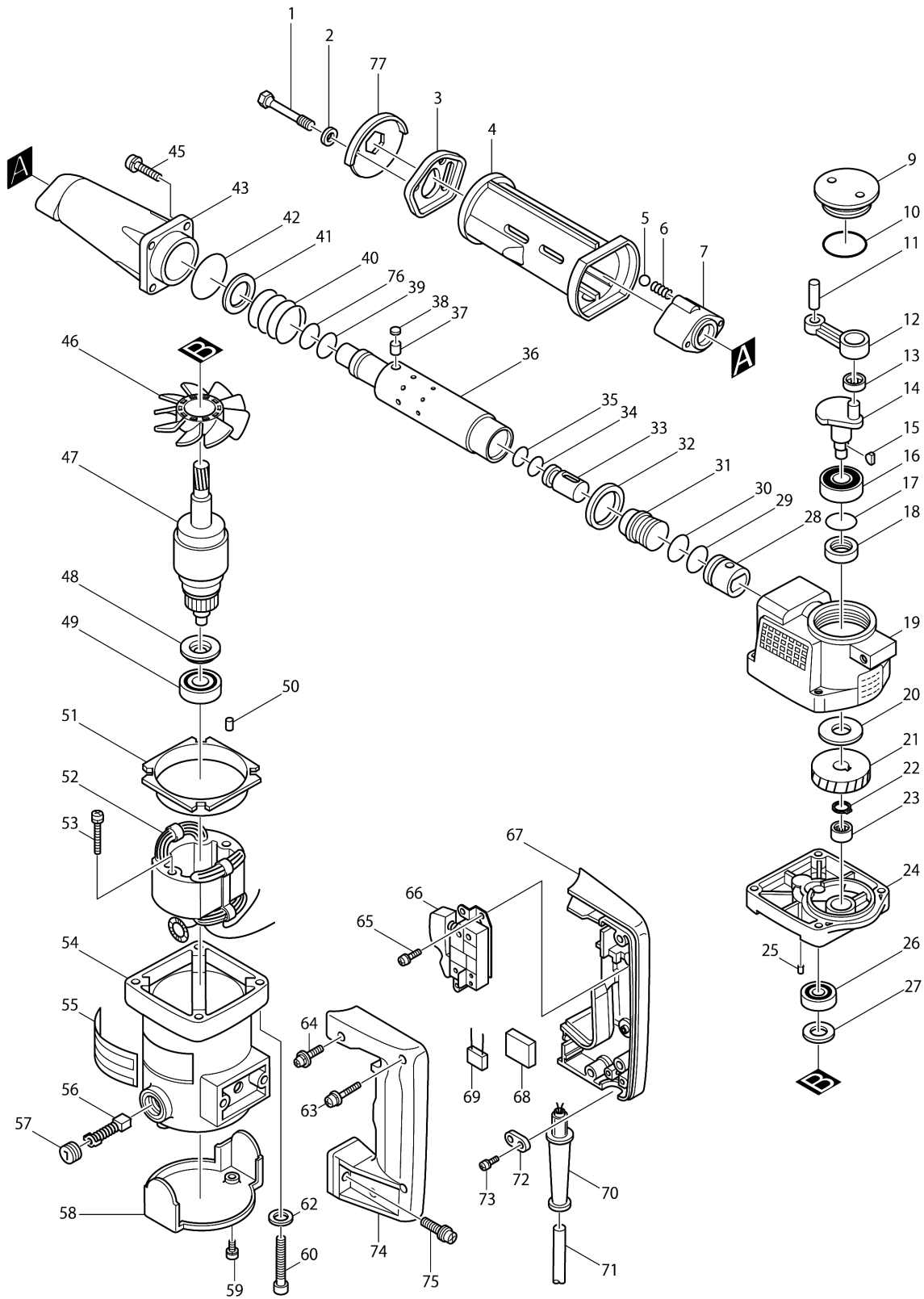


Model No.HK1800 POWER SCRAPER



Model No.HK1800 POWER SCRAPER

Item	Parts No.	Description	I/C	Qty	New/Old	Opt. 1	Opt. 2	Note
001-3	265393-4	HEX. BOLT M6X49		2	*			
001-4	265393-4	HEX. BOLT M6X49	O	2				
002	267017-8	FLAT WASHER 8		2				
003	342910-8	TOOL RETAINER		1				
004-1	414175-3	BARREL COVER		1				
005	216011-7	STEEL BALL 5.6		1				
006	231403-9	COMPRESSION SPRING 3		1				
007-1	321859-5	TOOL HOLDER		1				
009-1	410734-1	CRANK CAP		1				
010-1	213554-0	O RING 44		1				
011	256099-5	PIN 6		1				
012	315146-2	ROD		1				
013	212025-4	NEEDLE BEARING 810		1	*			
013-1	212017-3	NEEDLE BEARING 810	X	1				
014	321855-3	CRANK SHAFT		1				
015	254031-3	WOODRUFF KEY 3		1				
016-1	211201-7	BALL BEARING 6002LLB		1	*			
016-2	211232-6	BALL BEARING 6002LLU	X	1				
017	213459-4	O RING 32		1				
018	213219-4	OIL SEAL 15		1				
019-3	159532-5	CRANK HOUSING		1				
C10	810734-5	CAUTION LABEL		1				
C20	911111-5	PAN HEAD SCREW M4X10 WITH W		2				
C30	343518-1	DUST COVER		2				
D10		INC. 17						
020	253887-1	FLAT WASHER 15		1				
021	221745-9	HELICAL GEAR 36		1				
022	961052-5	RETAINING RING (EXT) S-12		1				
023	212052-1	NEEDLE BEARING 1010		1				
024-1	157782-6	GEAR HOUSING		1				
D10		INC. 25						
025	263005-3	RUBBER PIN 6		1				
026	211101-1	BALL BEARING 6001LLB		1				
027	253748-5	FLAT WASHER 12		1				
028	321685-2	PISTON		1				
029	213308-5	O RING 19		1				
030	213308-5	O RING 19		1				
031	321854-5	STRIKER		1				
032	257117-2	RING 28		1				
033	321856-1	IMPACT BOLT		1	*			
033-1	324680-1	IMPACT BOLT	<	1				
034	213111-4	O RING 12		1				
035	213111-4	O RING 12		1				
036	321857-9	CYLINDER LINER 24		1				
037	256156-9	PIN 6		2				

Please order the parts with part number.

Print Date 23/11/2023

Model No.HK1800 POWER SCRAPER

Item	Parts No.	Description	I/C	Qty	New/Old	Opt. 1	Opt. 2	Note
038	423122-3	CUSHION PLATE		2				
039	213309-3	O RING 19		1				
040	231395-2	COMPRESSION SPRING 24		1				
041-1	267026-7	FLAT WASHER 25		1				
042	213512-6	O RING 39		1				
043-1	315838-3	BARREL		1				
045-1	922341-3	HEX. SOCKET HEAD BOLT M6X25		4				
046	241820-5	FAN 67		1				
047C2	512853-0	ARMATURE ASS'Y 220V		1				
D10		INC. 26,27,46,48,49						
048-1	681625-5	INSULATION WASHER		1				
049	211033-2	BALL BEARING 608LB		1				
050	263014-2	RUBBER PIN 4		1				
051	410578-9	BAFFLE PLATE		1				
052E3	528788-5	FIELD ASS'Y 220V		1	*			
C10	654019-7	RING TERMINAL		2	*			
C20	654501-6	CONNECTOR P-1.25		2	*			
053-1	911265-8	PAN HEAD SCREW M5X40		2				
054	157553-1	MOTOR HOUSING		1	*			
C10	643603-3	BRUSH HOLDER 6-10		2	*			
D10		INC. 50			*			
054-1	157553-1	MOTOR HOUSING	<	1				
C10	643603-3	BRUSH HOLDER 6-10		2				
D10		INC. 50						
055	855426-9	NAME PLATE HK1800		1				
056	181038-5	A.C. CARBON BRUSH CB-105		1				
057	643600-9	BRUSH HOLDER CAP 6-10		2				
058-1	343390-1	REAR COVER		1				
059	911211-1	PAN HEAD SCREW M5X12		2				
060-2	265923-1	HEX. SOCKET HEAD BOLT M6X45		4	*			
060-3	266252-5	HEX. SOCKET HEAD BOLT M6X45	X	4				
062	941152-7	FLAT WASHER 6		4	*			
063	911243-8	PAN HEAD SCREW M5X25		3				
064	911328-0	PAN HEAD SCREW M6X18		2				
065	911109-2	PAN HEAD SCREW M4X8		2				
066	651026-1	SWITCH HPAH6-3S		1				
067	181411-9	HANDLE SET		1				
D10		INC. 74						
068A_	685725-3	SPONGE SHEET		1				
069C1	645209-3	NOISE SUPPRESSOR		1				
070B_	682540-6	CORD GUARD 9.3-90		1	*			
070B1	682505-8	CORD GUARD 10-90	O	1				
071I1	665883-1	POWER SUPPLY CORD 1.0-2- 5.0		1				
072C_	687031-2	STRAIN RELIEF		1				

Please order the parts with part number.

Print Date 23/11/2023

Model No.HK1800 POWER SCRAPER

Item	Parts No.	Description	I/C	Qty	New/Old	Opt. 1	Opt. 2	Note
073-1	911133-5	PAN HEAD SCREW M4X18		2				
074	181411-9	HANDLE SET		1				
D10		INC. 67						
075	911343-4	PAN HEAD SCREW M6X25		2				
076	213309-3	O RING 19		1				
077	421336-8	DUST COVER		1				
400	783203-8	HEX. WRENCH 5		1	*			
401A_	798264-5	SCALING CHISEL 50-150		1	*			
401A1	A-86016	SCALING CHISEL 50-220	O	1	*			
401A2	B-07010	SCALING CHISEL 50-220	O	1				
402	798266-1	BULL POINT 13-220		1	*			
402-1	B-06921	BULL POINT 12-220	O	1				
403A_	798265-3	SCALING CHISEL 30-150		1	*			
403A1	A-86000	SCALING CHISEL 20-220	O	1	*			
403A2	B-07004	SCALING CHISEL 20-220	O	1				
404-4	182620-3	STEEL CARRYING CASE		1	*			
C10	819033-2	MAKITA LABEL		1	*			
404-5	150640-5	PLASTIC CARRYING CASE	O	1				
C10	817210-0	CAUTION LABEL		1				
C20	186347-7	SLIDE LATCH SET		1	*			
C21	417059-4	LATCH	X	2				
405-1	423154-0	DUST COVER		5				
900	654003-2	TERMINAL 1.25-5		1				
907	646325-4	LINE COIL		1				
908	819063-3	MAKITA LABEL		1				

Please order the parts with part number.

Print Date 23/11/2023