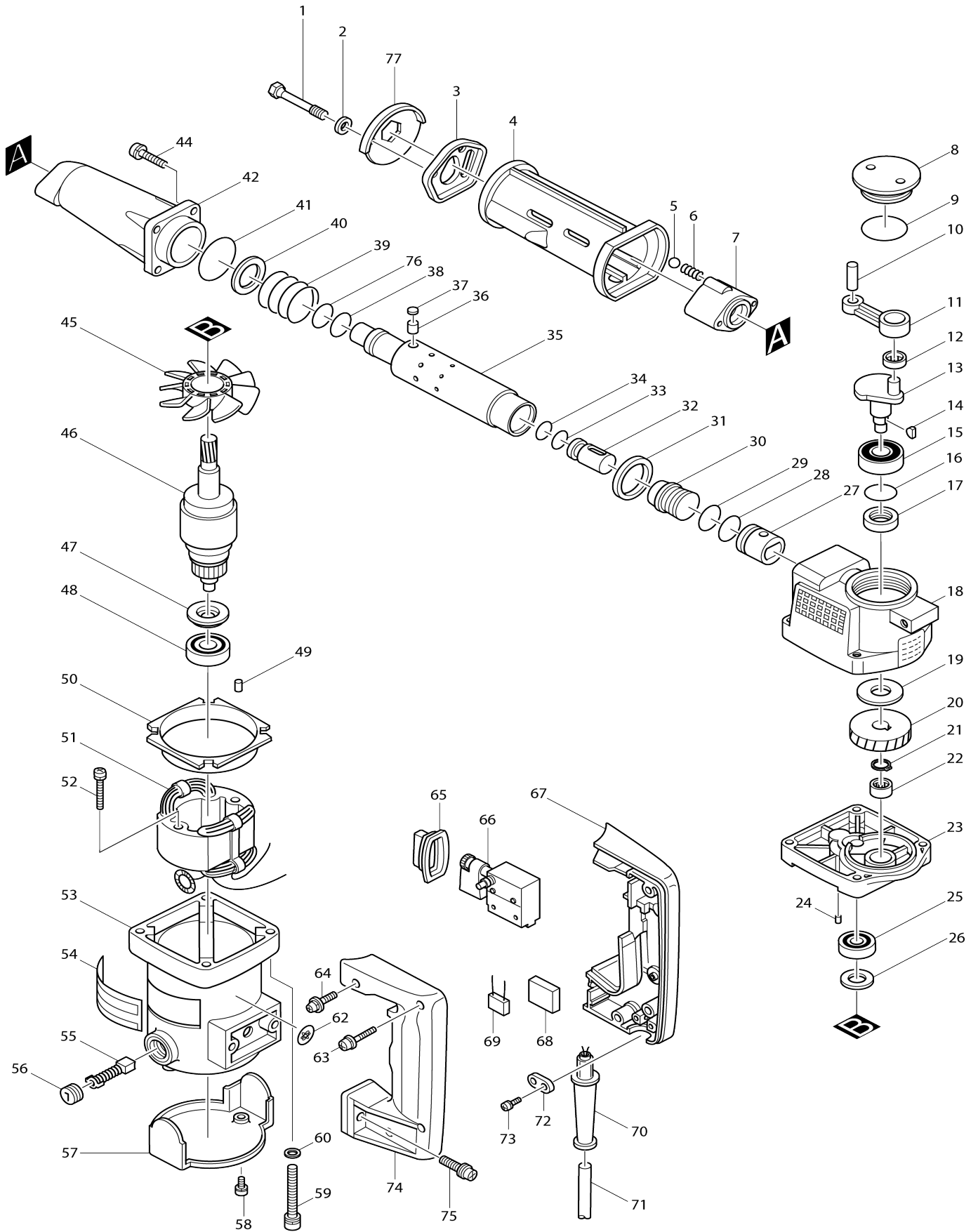


Model No.HK1810 POWER SCRAPER



Model No.HK1810 POWER SCRAPER

Item No.	Parts No.	Description	Interchangability	Q'ty	New/Old	Note1	Note2
001-3	265393-4	HEX. BOLT M6X49		2	*		
001-4	265393-4	HEX. BOLT M6X49	O	2			
002	267017-8	FLAT WASHER 8		2			
003	342910-8	TOOL RETAINER		1			
004-1	414175-3	BARREL COVER		1			
005	216011-7	STEEL BALL 5.6		1			
006	231403-9	COMPRESSION SPRING 3		1			
007-1	321859-5	TOOL HOLDER		1			
008	410734-1	CRANK CAP		1			
009	213554-0	O RING 44		1			
010	256099-5	PIN 6		1			
011	315146-2	ROD		1			
012	212025-4	NEEDLE BEARING 810		1	*		
012-1	212017-3	NEEDLE BEARING 810	X	1			
013	321855-3	CRANK SHAFT		1			
014	254031-3	WOODRUFF KEY 3		1			
015-1	211201-7	BALL BEARING 6002LLB	O	1	*		
015-2	211232-6	BALL BEARING 6002LLU	X	1			
016	213459-4	O RING 32		1			
017	213219-4	OIL SEAL 15		1			
018-3	159532-5	CRANK HOUSING		1			
C10	810734-5	CAUTION LABEL		1			
C20	911111-5	PAN HEAD SCREW M4X10 WITH W		2			
D10		INC. 16					
019	253887-1	FLAT WASHER 15		1			
020	221745-9	HELICAL GEAR 36		1			
021	961052-5	RETAINING RING (EXT) S-12		1			
022	212052-1	NEEDLE BEARING 1010		1			
023-1	157782-6	GEAR HOUSING		1			
024	263005-3	RUBBER PIN 6		1			
025	211101-1	BALL BEARING 6001LLB		1			
026	253748-5	FLAT WASHER 12		1			
027	321685-2	PISTON		1			
028	213308-5	O RING 19		1			
029	213308-5	O RING 19		1			
030	321854-5	STRIKER		1			
031	257117-2	RING 28		1			
032	321856-1	IMPACT BOLT		1	*		
032-1	324680-1	IMPACT BOLT	<	1			
033	213111-4	O RING 12		1			
034	213111-4	O RING 12		1			
035	321857-9	CYLINDER LINER 24		1			
036	256156-9	PIN 6		2			
037	423122-3	CUSHION PLATE		2			
038	213309-3	O RING 19		1			
039	231395-2	COMPRESSION SPRING 24		1			
040	267026-7	FLAT WASHER 25		1			

041	213512-6	O RING 39		1		
042-1	315838-3	BARREL		1		
044-1	922341-3	HEX. SOCKET HEAD BOLT M6X25		4		
045	241820-5	FAN 67		1		
046C2	512853-0	ARMATURE ASS'Y 220V		1		
D10		INC. 25,26,45,47,48				
047	681625-5	INSULATION WASHER		1		
048	211033-2	BALL BEARING 608LB		1		
049	263014-2	RUBBER PIN 4		1		
050	410578-9	BAFFLE PLATE		1		
051E2	528788-5	FIELD ASS'Y 220V		1	*	
C10	654019-7	RING TERMINAL		2	*	
C20	654501-6	CONNECTOR P-1.25		2	*	
051E3	528788-5	FIELD ASS'Y 220V	O	1		
C10	654019-7	RING TERMINAL		2		
C20	654501-6	CONNECTOR P-1.25		2		
052-1	911265-8	PAN HEAD SCREW M5X40		2		
053	157553-1	MOTOR HOUSING		1	*	
C10	643603-3	BRUSH HOLDER 6-10		2	*	
D10		INC. 49				
053-1	157553-1	MOTOR HOUSING	<	1		
C10	643603-3	BRUSH HOLDER 6-10		2		
D10		INC. 49				
054	855557-4	NAME PLATE HK1810		1		
055	181038-5	A.C. CARBON BRUSH CB-105		1		
056	643600-9	BRUSH HOLDER CAP 6-10		2		
057-1	343390-1	REAR COVER		1		
058	911211-1	PAN HEAD SCREW M5X12		2		
059-2	265923-1	HEX. SOCKET HEAD BOLT M6X45		4	*	
059-3	266252-5	HEX. SOCKET HEAD BOLT M6X45	X	4		
061	941152-7	FLAT WASHER 6		4	*	
063	911243-8	PAN HEAD SCREW M5X25		3		
064	911328-0	PAN HEAD SCREW M6X18		2		
065	421145-5	DUST COVER		1		
066A2	651258-0	SWITCH SGE106CV-1A		1		
067	181562-8	HANDLE SET		1		
D10		INC. 74				
068B_	685725-3	SPONGE SHEET		1		
069G_	645209-3	NOISE SUPPRESSOR		1		
070-1	682540-6	CORD GUARD 9.3-90		1	*	
070-2	682568-4	CORD GUARD 10	<	1		
071I1	665883-1	POWER SUPPLY CORD 1.0-2-5.0		1		
072C_	687031-2	STRAIN RELIEF		1		
073-1	911133-5	PAN HEAD SCREW M4X18		2		
074	181562-8	HANDLE SET		1		
D10		INC. 67				
075	911343-4	PAN HEAD SCREW M6X25		2		
076	213309-3	O RING 19		1		
077	421336-8	DUST COVER		1		
401A_	798264-5	SCALING CHISEL 50-150		1	*	
401A1	A-86016	SCALING CHISEL 50-220	O	1	*	

401A2	B-07010	SCALING CHISEL 50-220	O	1			
402	798266-1	BULL POINT 13-220		1	*		
402-1	B-06921	BULL POINT 12-220	O	1			
403A_	798265-3	SCALING CHISEL 30-150		1	*		
403A1	A-86000	SCALING CHISEL 20-220	O	1	*		
403A2	B-07004	SCALING CHISEL 20-220	O	1			
404-4	182620-3	STEEL CARRYING CASE		1	*		
C10	819033-2	MAKITA LABEL		1	*		
404-5	150640-5	PLASTIC CARRYING CASE	O	1			
C10	817210-0	CAUTION LABEL		1			
C20	186347-7	SLIDE LATCH SET		1	*		
C21	417059-4	LATCH	X	2			
405-1	423154-0	DUST COVER		5			
906	646325-4	LINE COIL		1			
907	819063-3	MAKITA LABEL		1			
B01	193394-1	HAMMER SERVICE KIT		1			
C10	181490-7	HAMMER GREASE 30G		1			
D10		INC. 28,29,33,34,38,55,76,77					

Please state Parts No. when your order.

Print Date 10/26/2023